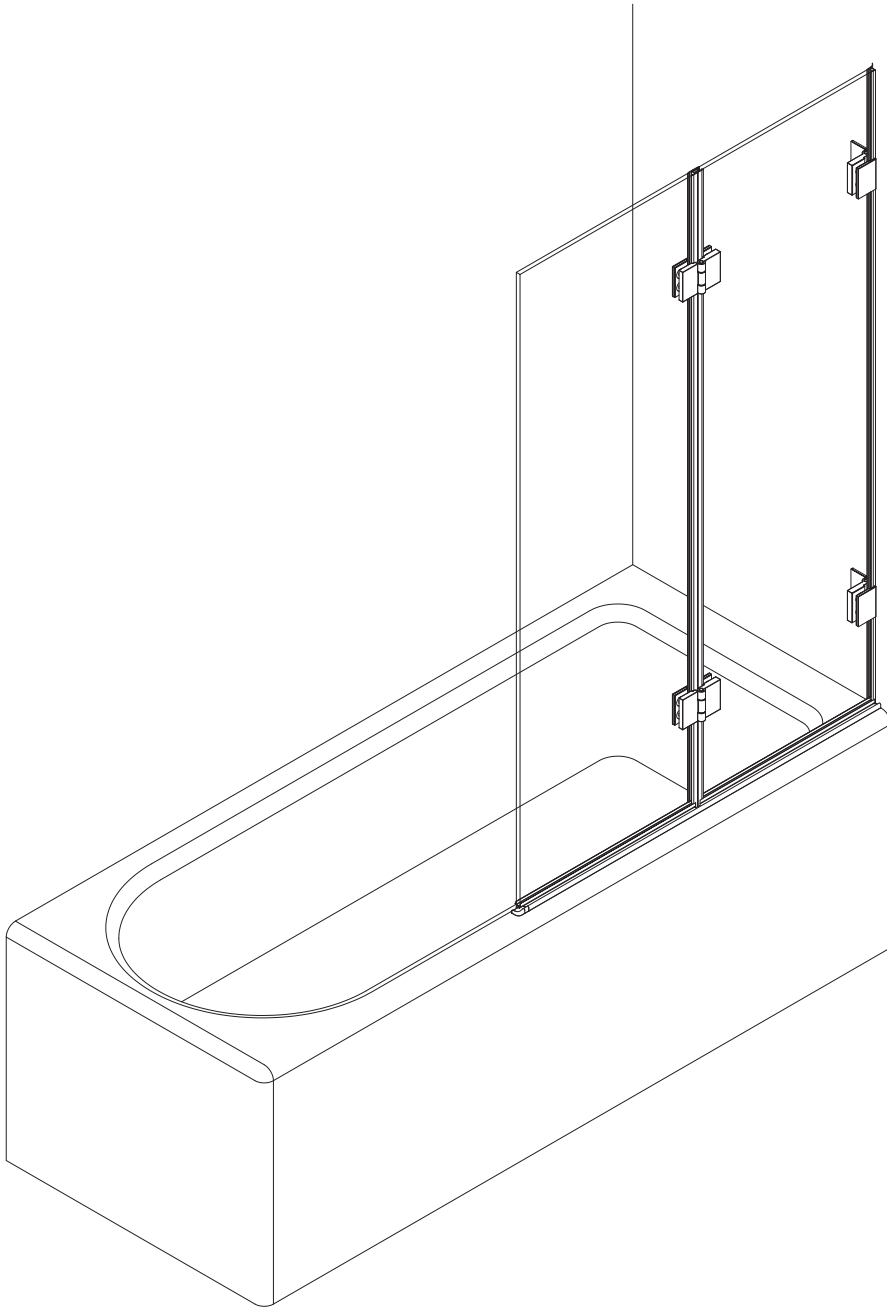


# THE SHOWER LAB

---



VIEW 14.2H



Illustration - View 14.2H  
Bi-folding Bath Screen  
Inward Opening

**IMPORTANT**

- This shower screen / enclosure must be installed by suitably qualified individuals. We recommend a minimum of two people for safe assembly of certain sections of this screen.
- Ensure all appropriate safety equipment, especially protective footwear, safety glasses and gloves are used.
- When drilling holes in ceramic tiles, use masking tape to prevent the drill from slipping: DO NOT use hammer action as this will crack the tiles. Use a high quality drill bit to ensure a clean, precise hole.
- Tighten hinges and brackets to the recommended **15.6N**.
- Please leave these instructions with the customer following installation.

**PRIOR TO INSTALLATION**

- Before disposing of the packaging and prior to commencing assembly, please check all the components to ensure that they have been supplied correctly and are undamaged. Subsequent claims for missing or damaged pieces will not be accepted once the packaging has been disposed of and installation commenced.
- In the event of any queries please contact your supplier quoting the relevant model information.
- The Tray / Tiled floor on which this screen is to be installed must be level on all sides.
- It may be necessary to use alternate fixings to those supplied, depending on the properties of the walls to be fixed to.
- Use the protective corners supplied at all times until the glass is moved to its final position.
- Ensure that the glass is installed correctly, taking care to avoid installing the glass upside down. On certain panels an easy clean coating is applied to one side only, this is clearly marked with a sticker on the non-coated side. The coated surface is to be fitted inwards towards the inside (wet side) of the screen.
- Ensure that all surfaces to be sealed are clean and dry prior to applying the silicone sealant. Use a high grade fungal resistant sealant.
- Allow a minimum of 48 hours after application of the silicone sealant prior to using the screen.

**TOOLS & MATERIALS REQUIRED**

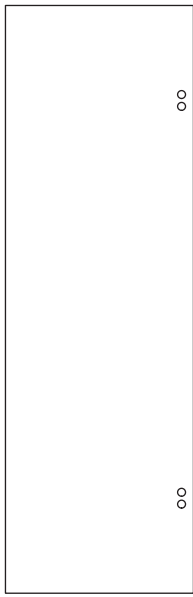
Junior Hacksaw	Modelling Knife	High Quality Silicone Sealant
Straight Edge (Steel Rule)	Spirit Level	Digital Torque Wrench
Fine Tooth File	Pencil	Tape Measure
Set or Roofing Square	Silicone Gun	Pozi-drive
Masking Tape	Power Drill	Screwdrivers, PZ1&2
	Ø6mm Masonry Drill Bit	Safety Glasses and
	2x Suction Glass Lifters	Gloves

**CARE AND MAINTENANCE**

(please ensure that these instructions are left with the installed unit)

- We recommend routine cleaning of your screen / enclosure with hot water using a soft cloth, then drying with a dry soft cloth or chamois leather.  
**Ritec Aftercare for Shower Glass** is recommended for best results.
- All glass has been treated with EASY CLEAN glass finish and care must be taken to avoid any abrasive cleaning products that may damage the special surface protection.
- DO NOT use acidic based de-scaler products or products containing bleaches or solvents.

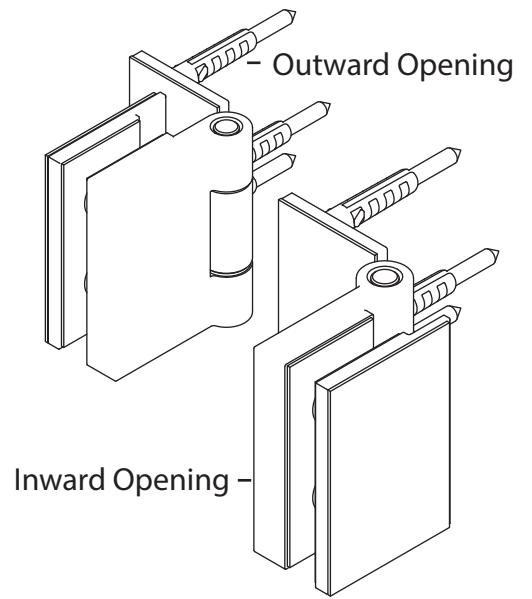
Supplied Parts



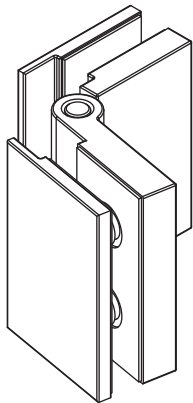
Glass Panel - P  
x1



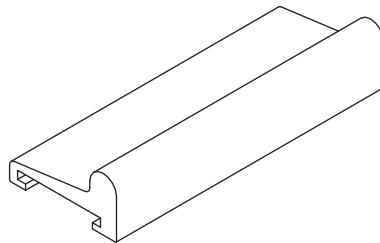
Glass Panel - R  
x1



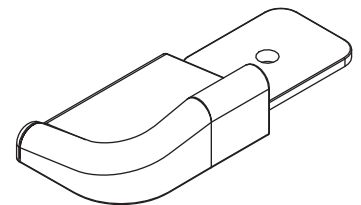
Glass to Wall Hinge  
x2  
(Option Dependant)  
Each hinge includes  
3x Screws and Wall Plugs



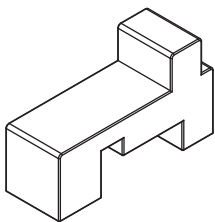
Glass to glass hinge  
x2



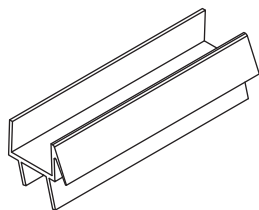
Bath Screen Underframe  
x1



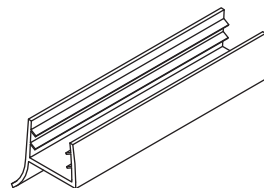
Bath Screen End Cap  
x1



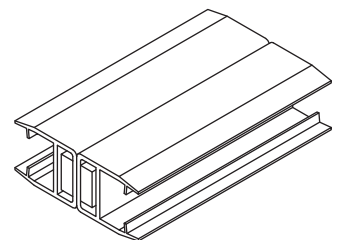
Glass support  
x4



Bottom door seal  
x2



Glass to wall seal  
x1

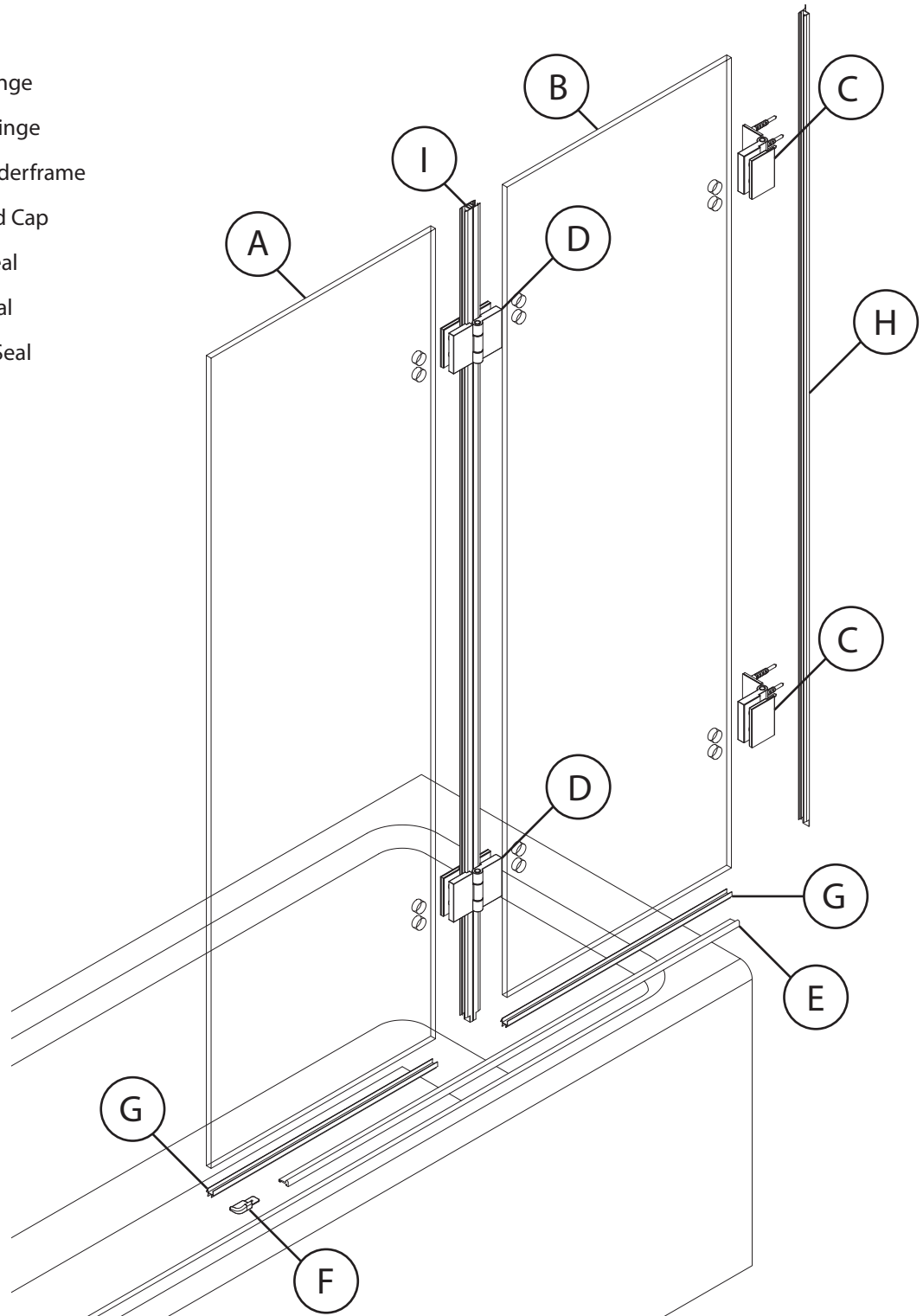


180° Magnetic seal  
x1

These instructions are for the bi-folding bath screen. The image below shows an inward opening configuration.

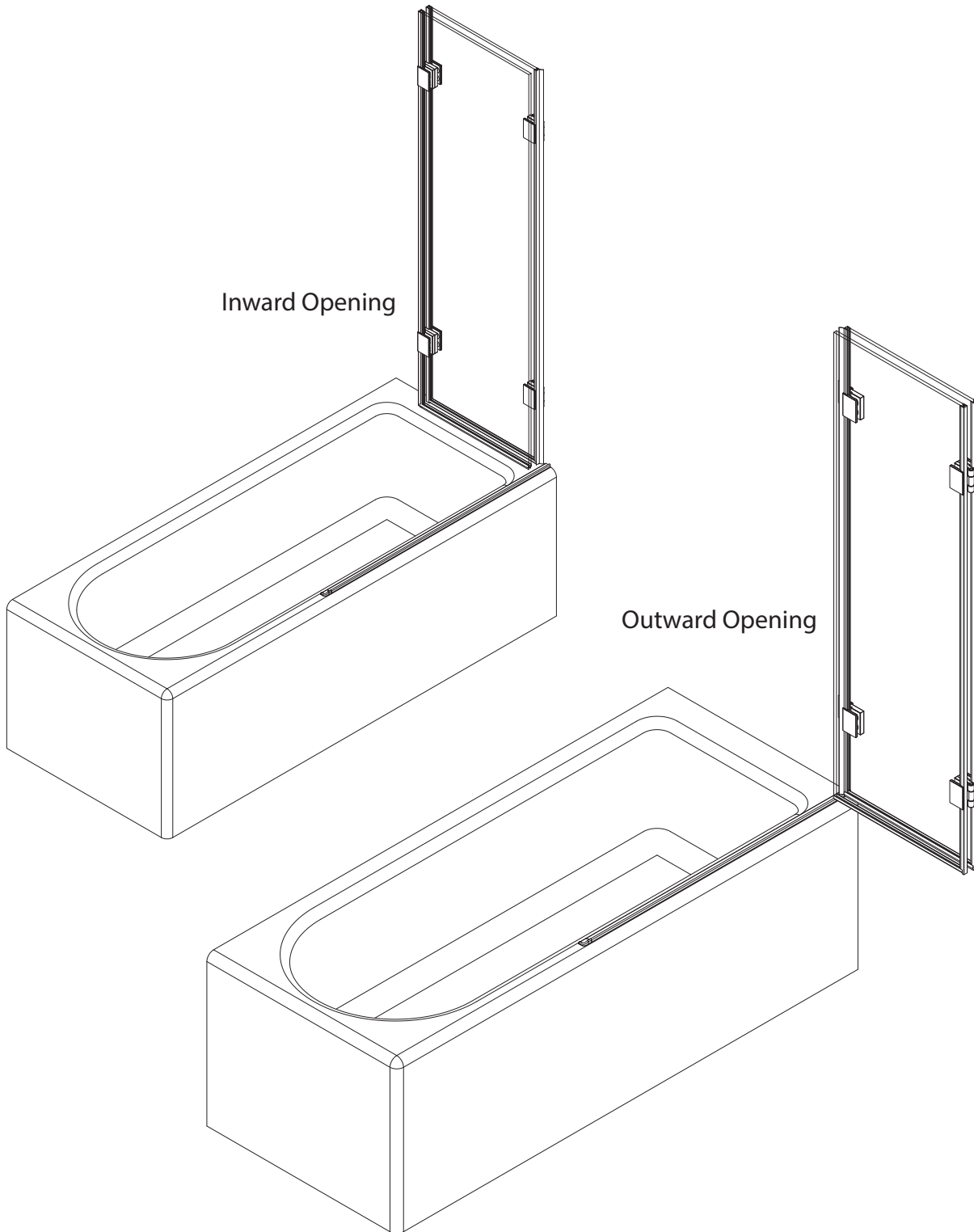
Please use the below diagram to reference the list of parts.

- (A) Glass Panel - P
- (B) Glass Panel - R
- (C) Glass to Wall Hinge
- (D) Glass to Glass Hinge
- (E) Bath Screen Underframe
- (F) Bath Screen End Cap
- (G) Bottom Door Seal
- (H) Glass to Wall Seal
- (I) 180° Magnetic Seal



Please see below the two configurations for this bi-folding bath screen.

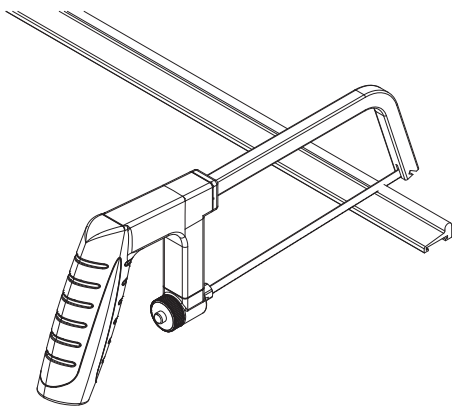
Please note the hinge orientation that has been supplied will help determine which configuration you have.



1

Measure the width of both panels, add 6mm to this measurement.

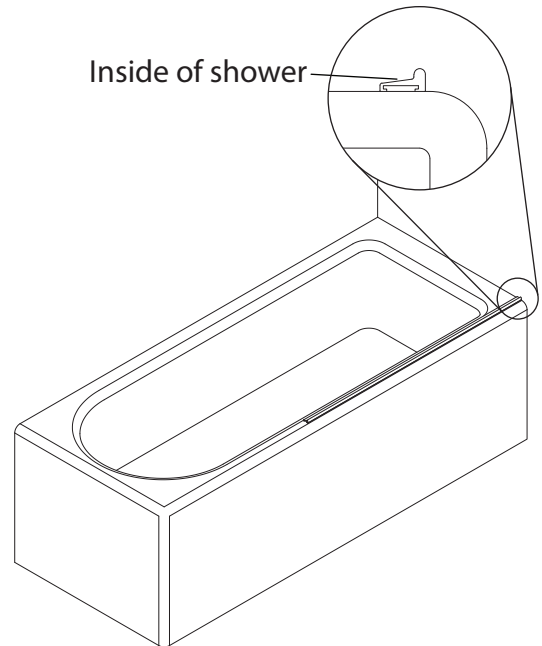
Mark this length on the under-frame. For best results, use masking tape. Cut squarely with a fine toothed junior hacksaw. Unwrap the tape and remove any burrs with a fine file, taking care not to scratch or damage the surface finish.



2

Position the under-frame on the edge of the bath. The under-frame needs to be set back far enough so that it is on the level surface.

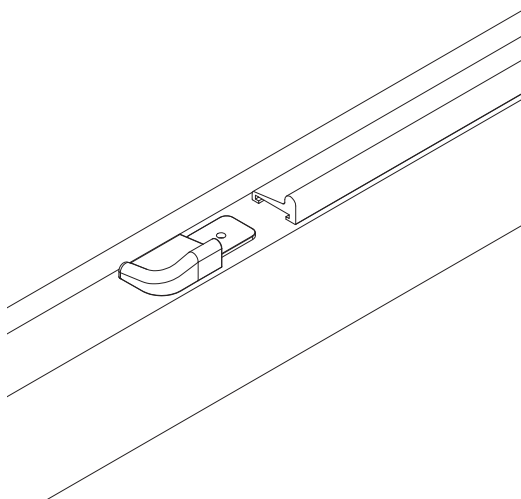
DO NOT use silicone at this point.



3

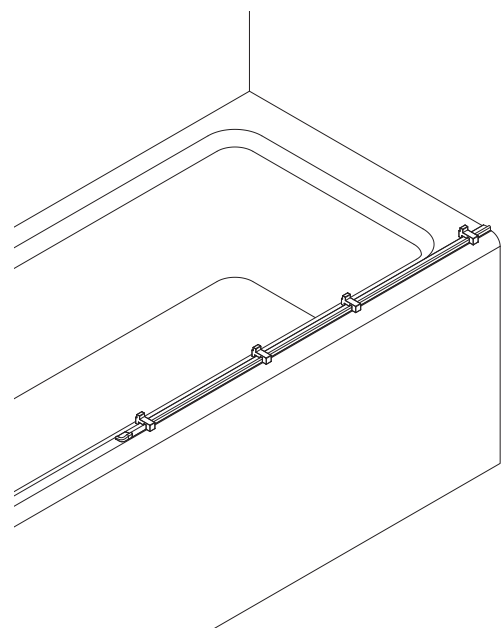
Peel off the backing tape and secure the under-frame squarely in place with the self-adhesive pads supplied.

Peel off the backing tape from the under-frame end cap, insert into the end of the under-frame and press down firmly.



4

Place the glass supports over the under-frame as indicated.

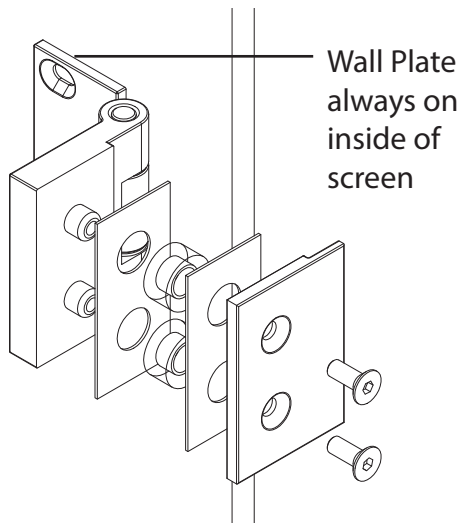


5

Assemble the two 90° glass to wall hinges onto the screen, making sure the hinge is centred in the glass holes. Check the orientation of the hinges for your screen configuration.

DO NOT fit the cover plates yet.

With one person inside, position the screen onto the glass supports. Use a spirit level to check if glass is vertical.



7

Using a suitable 6mm drill bit, drill holes on the marked areas and fully insert the rawl plugs.

**Professional Tip**  
If drilling ceramic tiles, place masking tape on the tiles before marking and drill through the tape to prevent the drill bit from skidding.

DO NOT use Hammer Action as this will break the tiles.

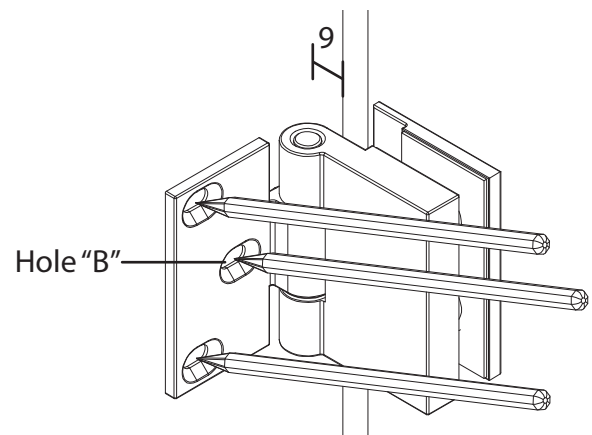
6

First, check there is a gap of 9mm between the edge of glass and tile.

Secondly, using a pencil, mark the accessible holes for attaching the 90° glass to wall hinges to the wall.

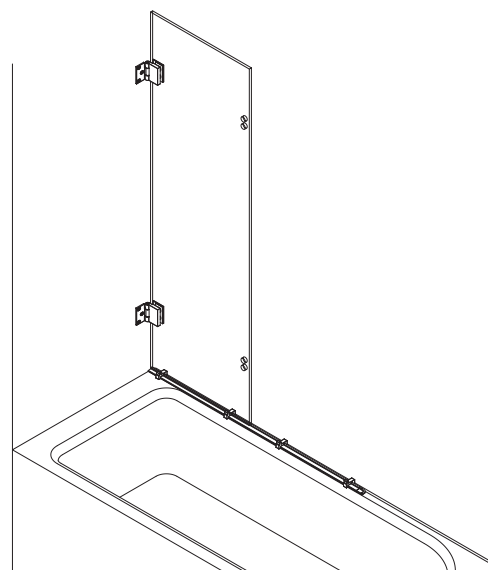
If OUTWARD opening, use the template on the last page to locate Hole "B".

Use masking tape on the wall to mark the measurements.

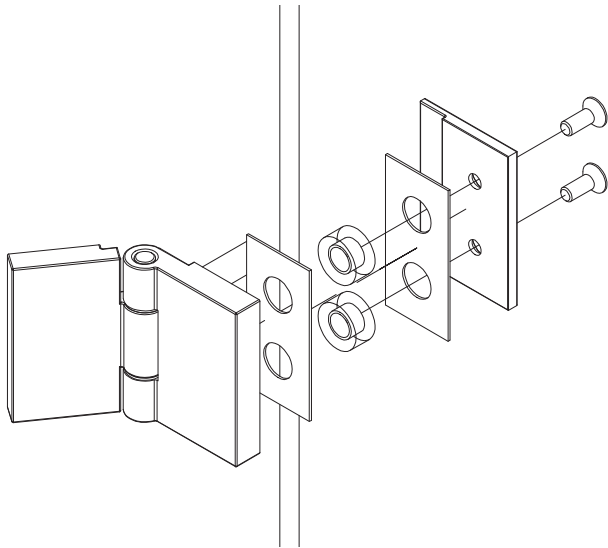


8

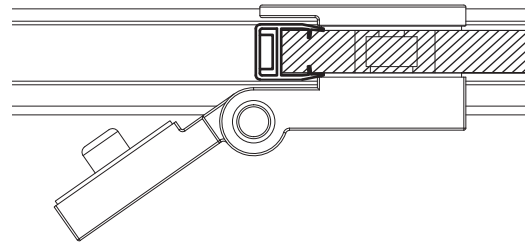
Lift the screen back onto the under-frame supports and carefully screw the hinges to the wall.



9 Fix half of the glass to glass hinges to the first hinged panel.



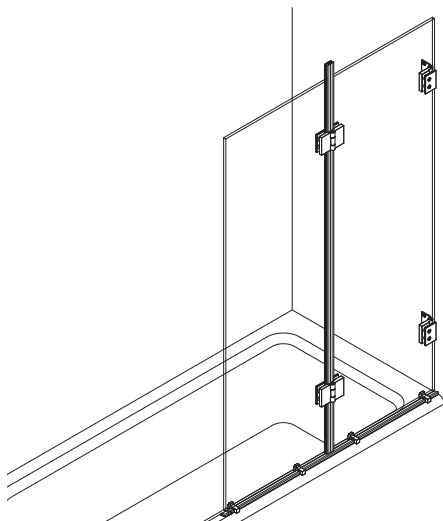
10 Push a 180° magnetic seal onto the same panel.



11 Push the other 180° magnetic seal onto the edge of the second hinged panel.

Lift the second hinged panel onto the other two glass supports and slide until the magnetic seals snaps together.

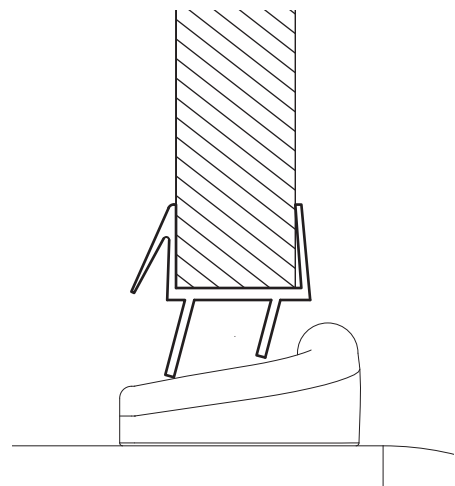
Fix and tighten all hinges to 15.6N.



12 Remove the glass supports.

Measure the width of both panels and trim the bottom door seals accordingly with a fine toothed junior hacksaw.

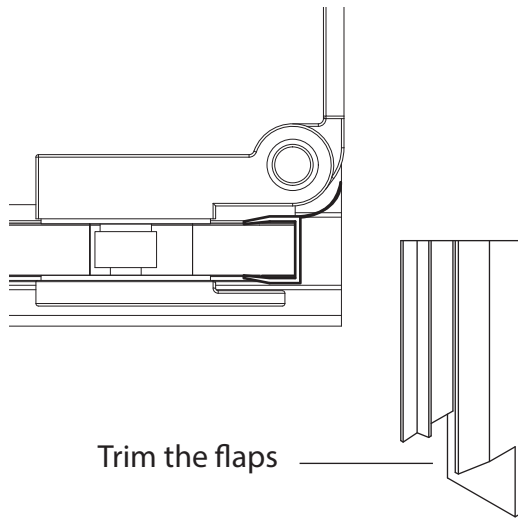
Remove the 180° magnetic seals and attach the bottom door seals in the below orientation.





- 13 Using a fine toothed junior hacksaw, trim the bottom of the glass to wall seal as shown to fit neatly around the bottom seal so the base of the seal is almost level with the base of the bottom door seal.

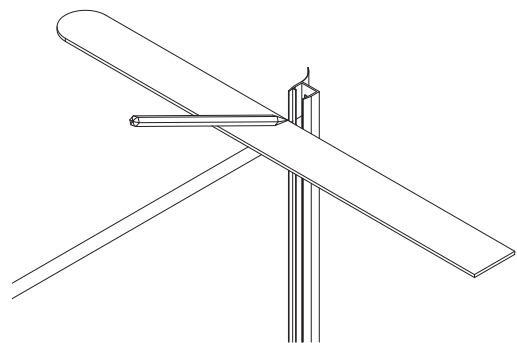
Attach in the below orientation.



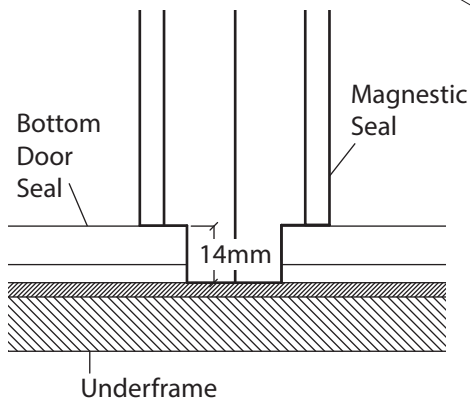
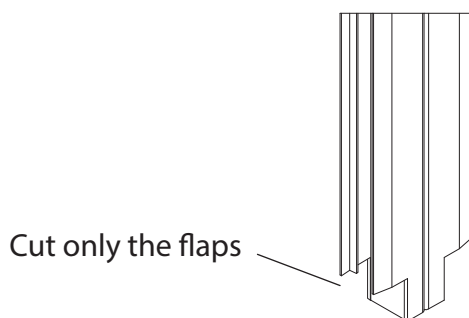
- 14 Mark, remove and trim the top to make the seal flush with the top of the screen.

It is recommended to use a modelling knife to cut the softer "tail" of the glass to wall seal.

Reattach the seal.



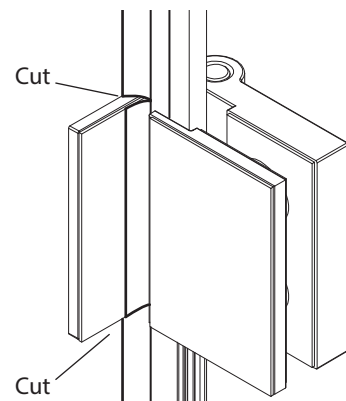
- 15 Repeat the same process for the 180° magnetic seals to fit around the bottom door seal.



- 16 If screen is Open Out please read.  
If Open In, please skip this step.

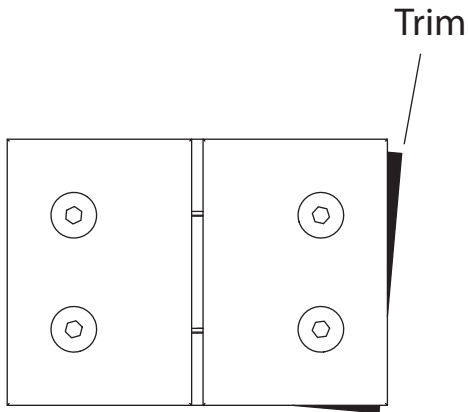
With a sharp modelling knife, cut the glass to wall seal tail above and below the 90° glass to wall hinges as shown.

Take care to get these cuts as close to the hinges as possible to allow the seal to flex around the hinge without leaking.



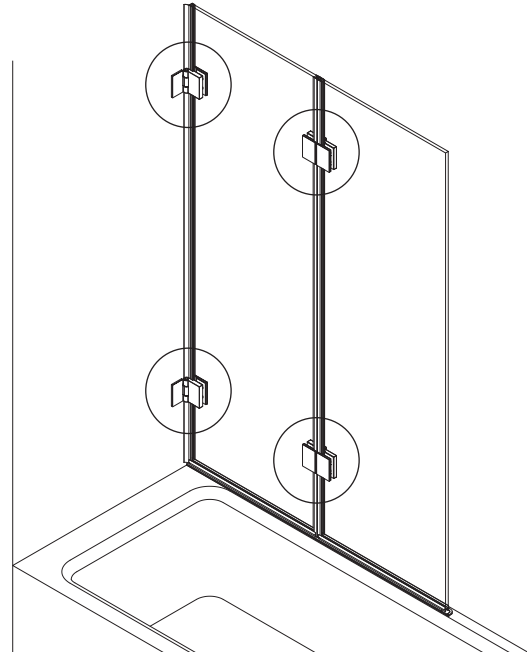
17

Using the sharp modelling knife, trim any excess gasket material from the hinges and brackets that may have squeezed out when tightening. Take care not to scratch the glass.



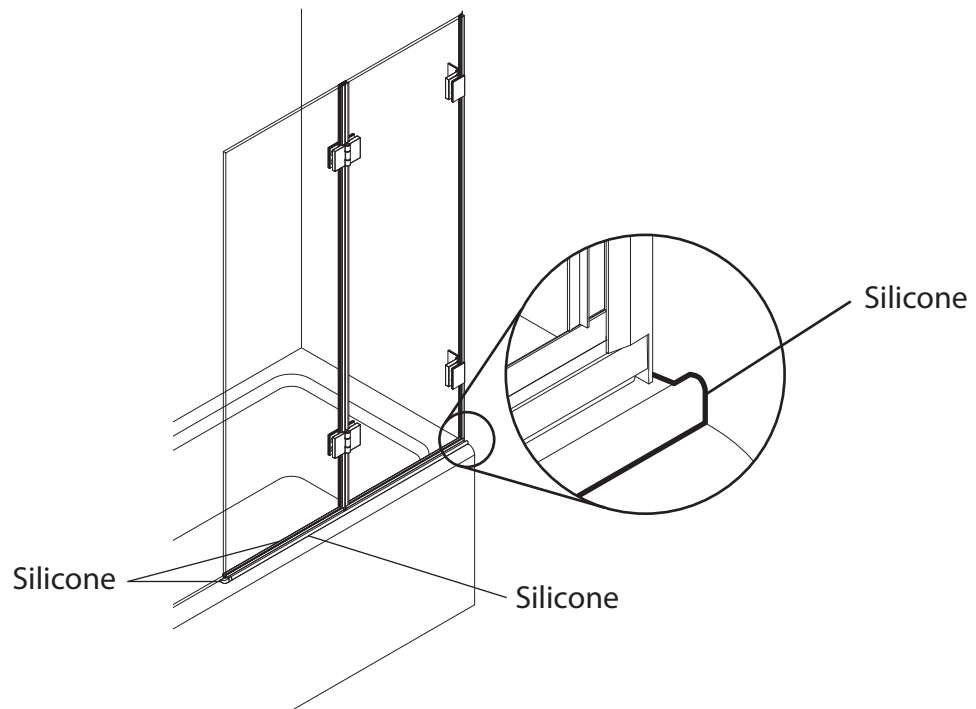
18

Fit the cover plates to the 90° glass to wall hinges and glass to glass hinges.



19

Apply silicone sealant as shown below between the under-frame and the bath tub. Both inside and out.



Please use this template to locate Hole "B" if your screen opens OUTWARDS from the wall.

