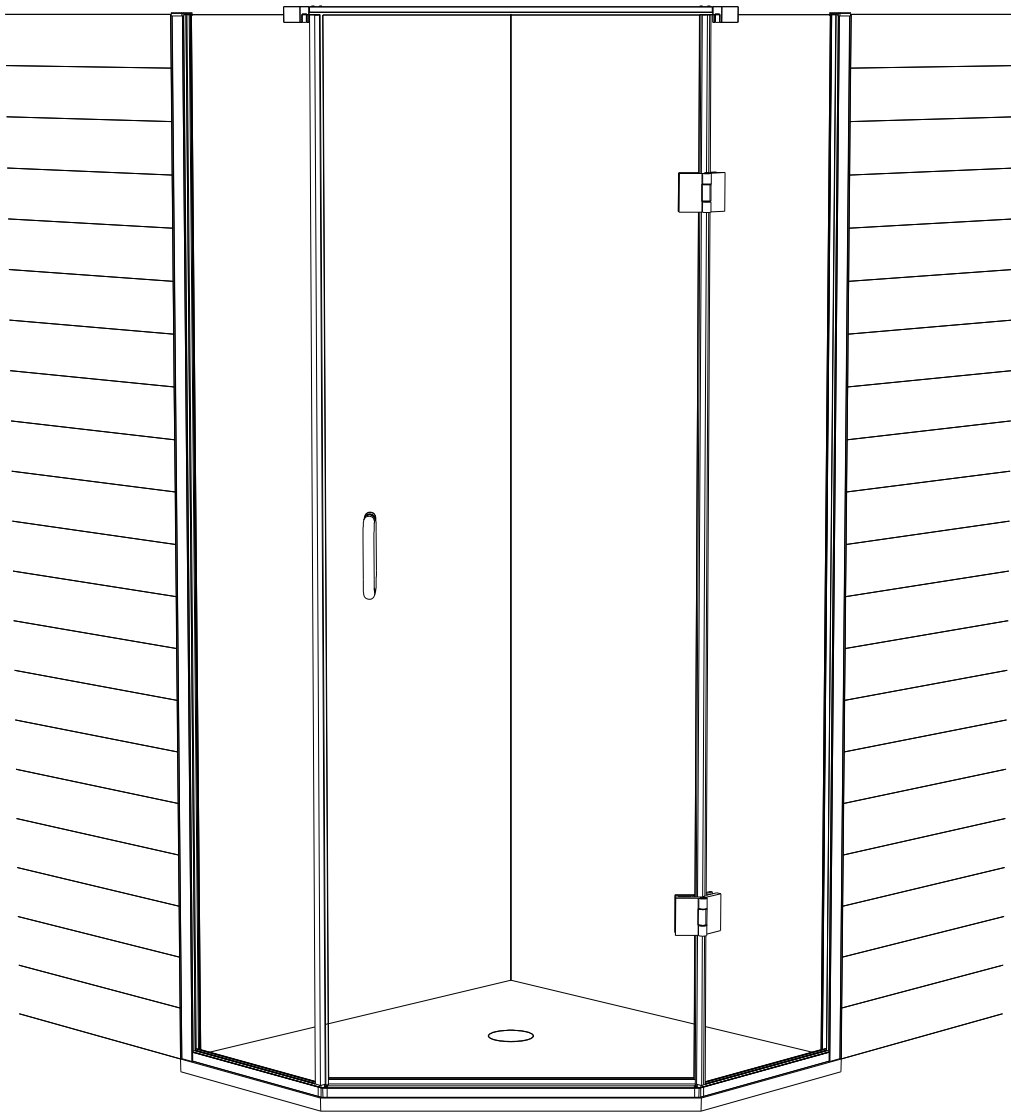


THE SHOWER LAB



VIEW 25



Illustration - View 25
H1 Handle
Right Hand
Neo Angle Enclosure

IMPORTANT

- This shower screen / enclosure must be installed by suitably qualified individuals. We recommend a minimum of two people for safe assembly of certain sections of this screen.
- Ensure all appropriate safety equipment, especially protective footwear, safety glasses and gloves are used.
- When drilling holes in ceramic tiles, use masking tape to prevent the drill from slipping: DO NOT use hammer action as this will crack the tiles. Use a high quality drill bit to ensure a clean, precise hole.
- Tighten hinges and brackets to the recommended **15.6N**.
- Please leave these instructions with the customer following installation.

PRIOR TO INSTALLATION

- Before disposing of the packaging and prior to commencing assembly, please check all the components to ensure that they have been supplied correctly and are undamaged. Subsequent claims for missing or damaged pieces will not be accepted once the packaging has been disposed of and installation commenced.
- In the event of any queries please contact your supplier quoting the relevant model information.
- The Tray / Tiled floor on which this screen is to be installed must be level on all sides.
- It may be necessary to use alternate fixings to those supplied, depending on the properties of the walls to be fixed to.
- Use the protective corners supplied at all times until the glass is moved to its final position.
- Ensure that the glass is installed correctly, taking care to avoid installing the glass upside down. On certain panels an easy clean coating is applied to one side only, this is clearly marked with a sticker on the non-coated side. The coated surface is to be fitted inwards towards the inside (wet side) of the screen.
- Ensure that all surfaces to be sealed are clean and dry prior to applying the silicone sealant. Use a high grade fungal resistant sealant.
- Allow a minimum of 24 hours after application of the silicone sealant prior to using the screen.

TOOLS & MATERIALS REQUIRED

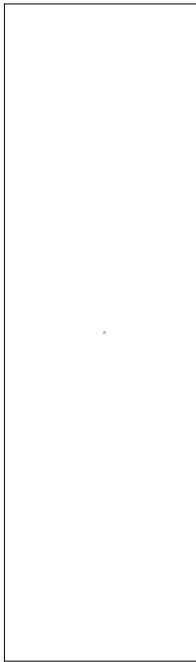
Junior Hacksaw	Modelling Knife	High Quality Silicone Sealant
Straight Edge (Steel Rule)	Spirit Level	Digital Torque Wrench
Fine Tooth File	Pencil	Tape Measure
Set or Roofing Square	Silicone Gun	Pozi-drive
Masking Tape	Power Drill	Screwdrivers, PZ1&2
	Ø6mm Masonry Drill Bit	Safety Glasses and
	2x Suction Glass Lifters	Gloves

CARE AND MAINTENANCE

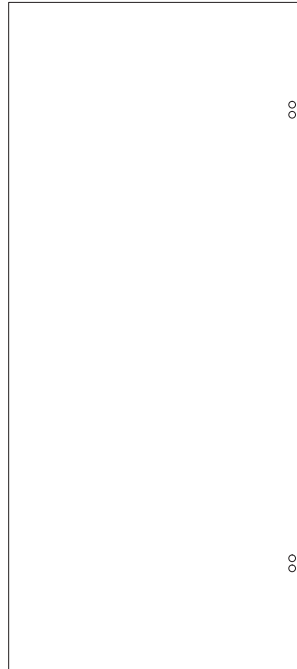
(please ensure that these instructions are left with the installed unit)

- We recommend routine cleaning of your screen / enclosure with hot water using a soft cloth, then drying with a dry soft cloth or chamois leather.
Ritec Aftercare for Shower Glass is recommended for best results.
- All glass has been treated with EASY CLEAN glass finish and care must be taken to avoid any abrasive cleaning products that may damage the special surface protection.
- DO NOT use acidic based de-scaler products or products containing bleaches or solvents.

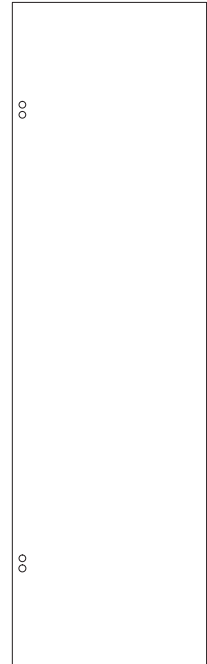
Supplied Parts



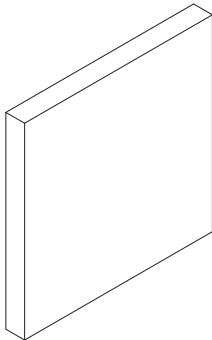
Handle Side Fixed Panel
x1



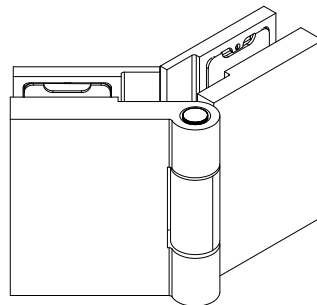
Door
x1



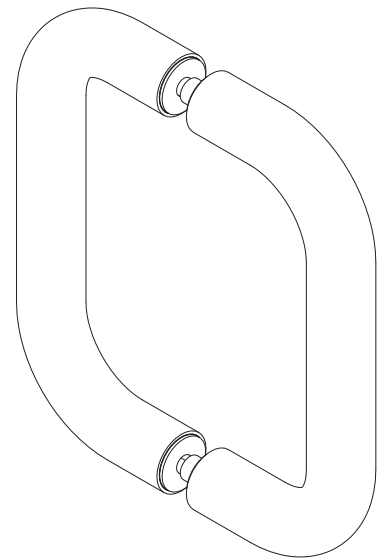
Hinged Side Fixed Panel
x1



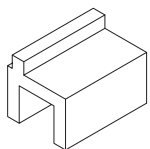
Nylon Block
x1



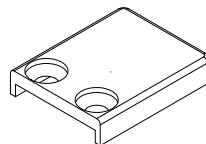
135° Glass to Glass Hinge
x2



Door Handle
(Option dependant)
x1

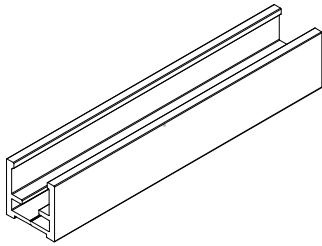


Glass Support
x2

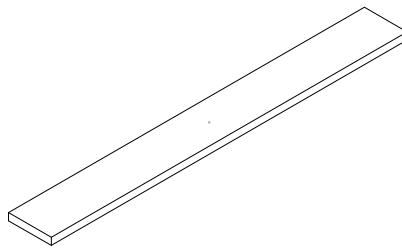


Wall Profile End Cap
x2

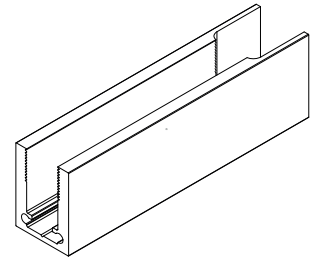
Supplied Parts



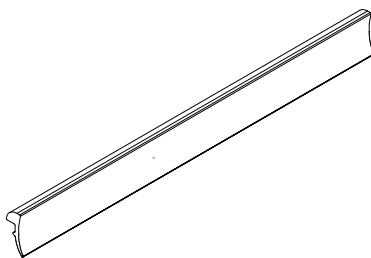
Underframe
x3



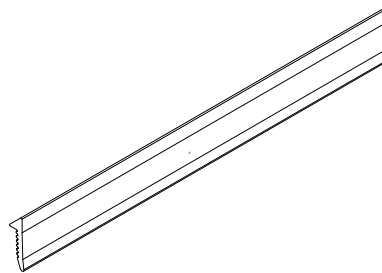
Underframe Gasket
x2



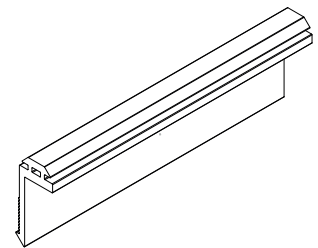
Wall Profile
x2



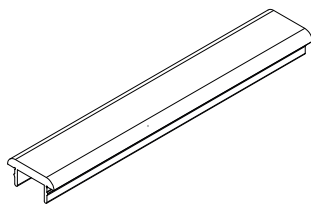
Underframe Wedge Gasket
x4



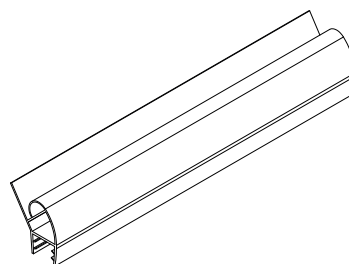
Wall Profile Rigid Seal
x2



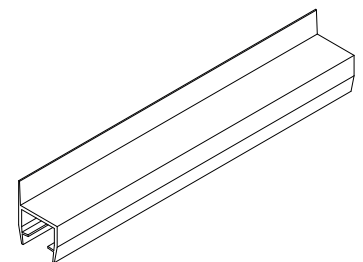
Wall Profile Soft Seal
x2



Underframe Top
x1

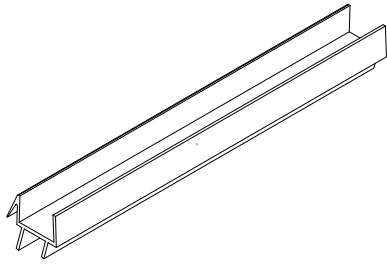


135° Return Panel to Door Bubble Seal
x1

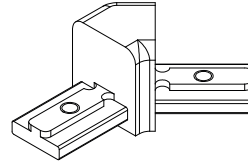


Glass to Glass Seal
x1

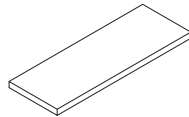
Supplied Parts



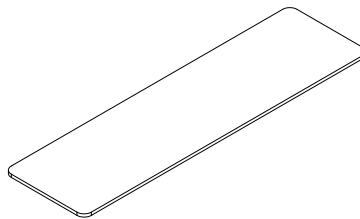
Bottom Door Seal
x1



Underframe 135° Connector
x2



Spacers

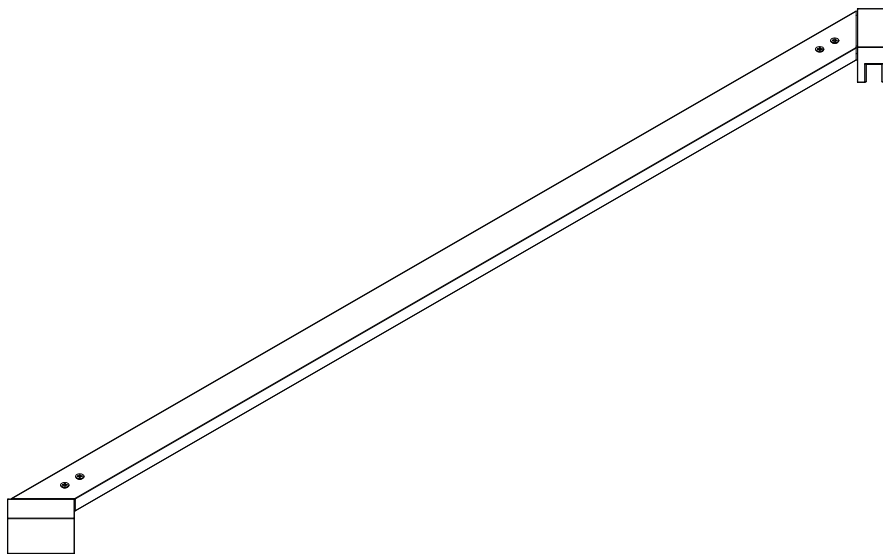


Packers

Supplied Parts

Please use this page to find which stay bar your enclosure has been supplied with.

SB5 - With Glass Clamps

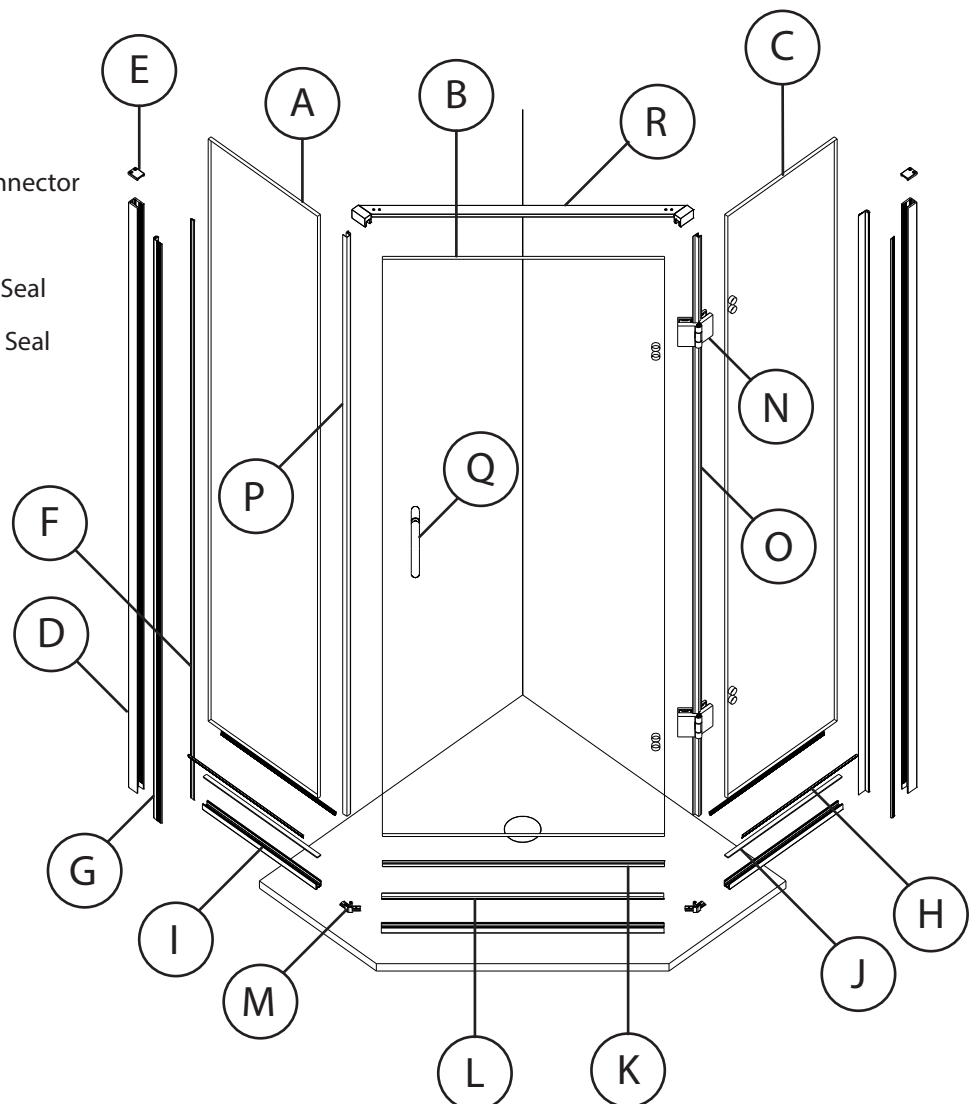


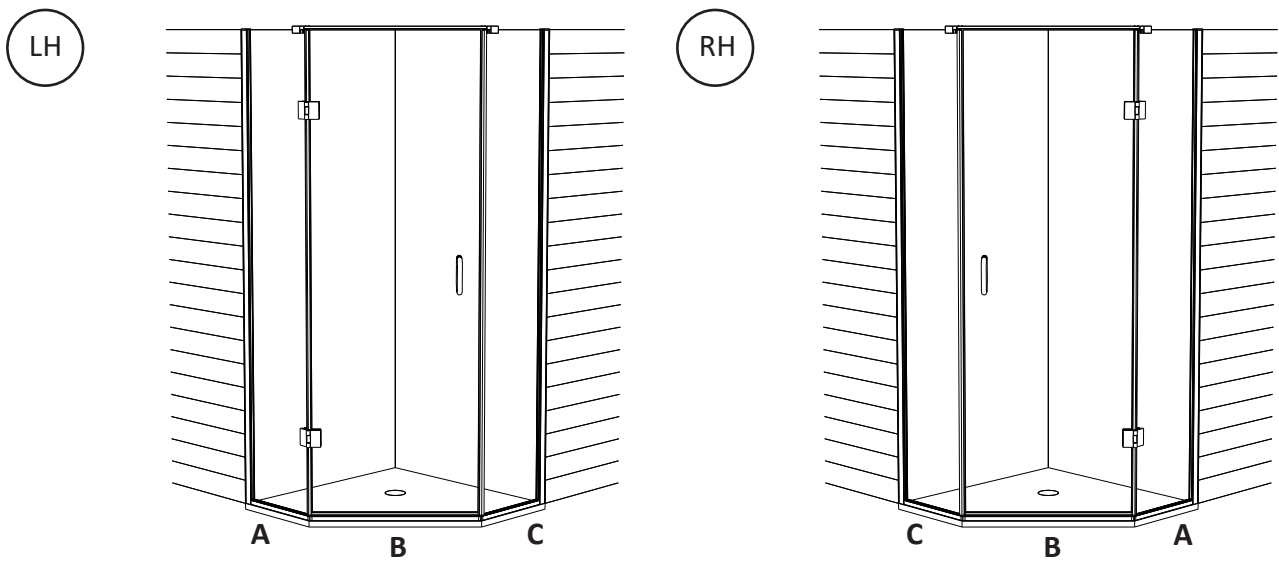
These instructions are for the View 25. An SB5 Stay Bar is used for this illustration.

The following instructions are valid for both the 20mm and 30mm profiles. The 30mm profile is used in the following instructions.

Please use the below diagram to reference the list of parts.

- (A) Handle Side Fixed Panel
- (B) Door Panel
- (C) Hinge Side Fixed Panel
- (D) Wall Profile
- (E) Wall Profile End Cap
- (F) Wall Profile Soft Seal
- (G) Wall Profile Rigid Seal
- (H) Underframe Wedge Gasket
- (I) Underframe
- (J) Underframe Gasket
- (K) Bottom Door Seal
- (L) Underframe Top
- (M) Underframe 135° Connector
- (N) Glass to Glass Hinge
- (O) Glass to Glass Return Seal
- (P) Glass to Glass Bubble Seal
- (Q) Handle (H1 Shown)
- (R) Stay Bar (SB5 Shown)





Enclosure dimensions to OUTSIDE of Underframe

NOTE: Wall Profiles overlap the Underframe by 3mm

BESPOKE ENCLOSURES - 30mm (CH30) Wall Profiles

If you have a Bespoke Enclosure, reference the Install Sheet for the panel specifications of the Enclosure.

NOTE: Allow 3mm for Wall Profile to overlap the Underframe

CH30 - Bespoke Panel A: Panel A + 20 = Minimum Width + 14 = Maximum Width

CH30 - Bespoke Door B: Door B + 20 = Fixed Width

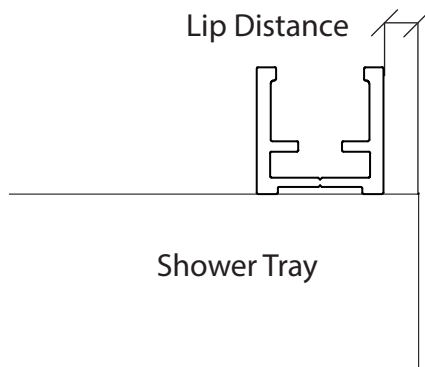
CH30 - Bespoke Panel C: Panel C + 20 = Minimum Width + 14 = Maximum Width

01 Position the Underframe parallel to tray edge.

Reference the measurement sheet to find lip distance.

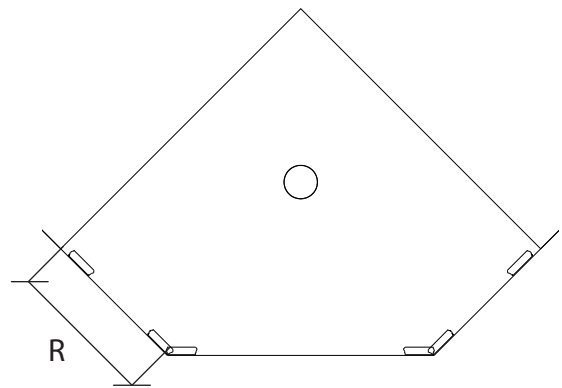
Use tape to mark this dimension.

Repeat for the Return Underframe Profiles.

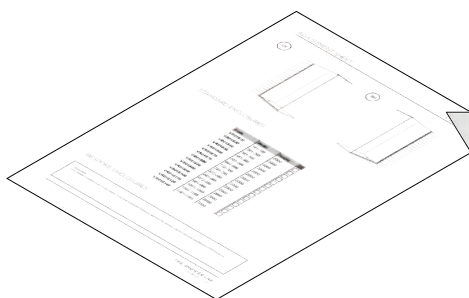


02 Measure the distance from the tape edge to the tiling and take note of this distance.

Repeat for the Return Underframe.



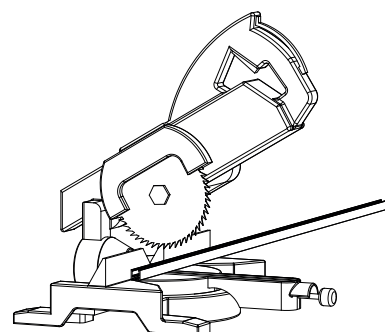
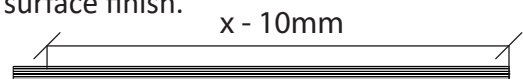
03 Check the dimensions are within the allowed adjustments by referencing the attached measurement sheet.



04 Subtract 10mm from the Return Underframe dimension. This is the Return Profile width. Mark this measurement on both Return Underframes.

Cut both Return Underframes squarely using a chop saw.

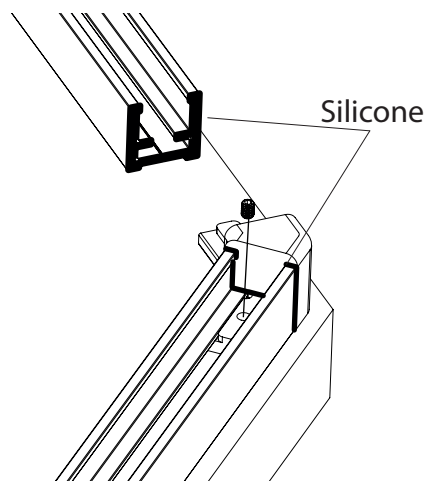
Use a fine toothed file to remove any burrs, be careful not to damage the surface finish.



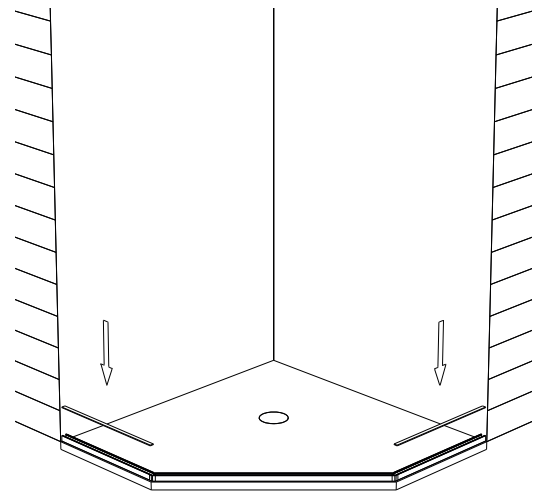
- 05 Connect the Underframe Profiles together using the Underframe 135° Connector and supplied screws.

Add a small amount of silicone to the ends of the Underframe before connecting.

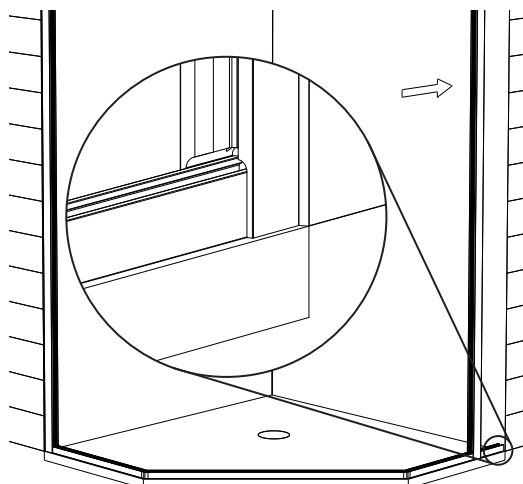
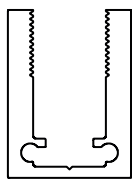
Remove the backing strips from the self adhesive and fix firmly to the tray.



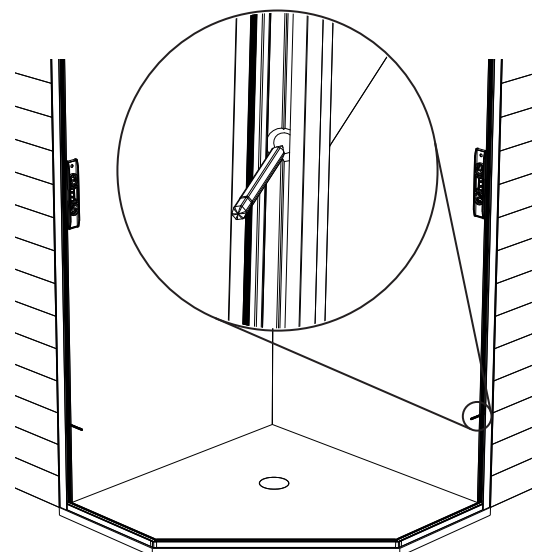
- 06 Place the Underframe Gaskets where the glass will sit into the Underframe and butt up against the wall.



- 07 Place the Wall Profiles over the Underframe and up against the wall.



- 08 Ensure the Wall Profiles are vertical by using a spirit level. Mark the positions of the pre-drilled holes.



09

Remove the Wall Profiles and drill holes on each wall with a 6mm high quality drill bit for a clean and precise hole.

Fully insert the wall plugs.



Professional Tip
 If drilling ceramic tiles, place masking tape on the tiles before marking and drill through the tape to prevent the drill bit from skidding.

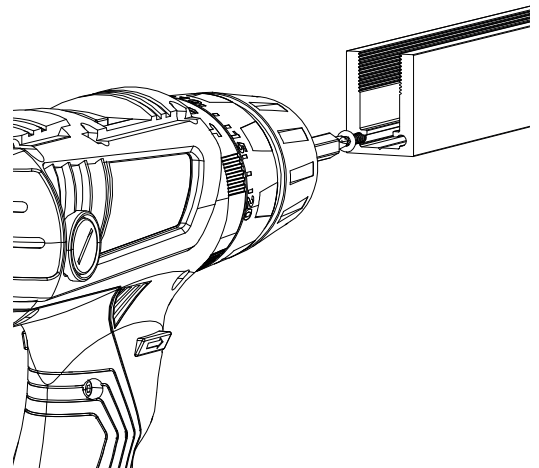
 DO NOT use Hammer Action as this will break the tiles.

10

Pre drill the No 6 screws in to the Wall Profile to create the thread for the Top Cap, then REMOVE screws.

Fix the Wall Profiles to the wall using the No 8 screws.

-  (No 8) Profile - Wall
-  (No 6) Profile - Top Cap

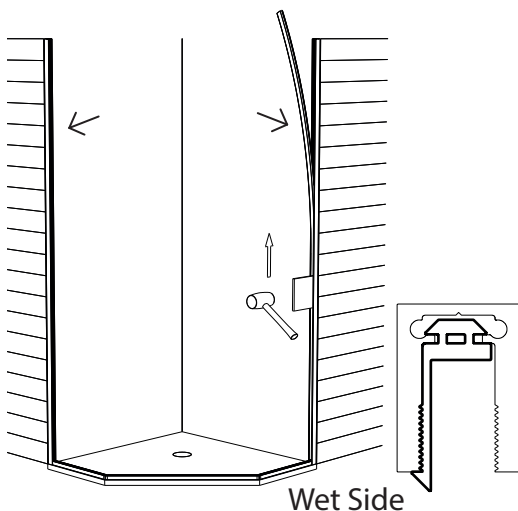


11

Take the Wall Profile Soft Seal and push the seal into place on each Wall Profile to cover the screws.

Ensure the fin is on the inside (wet side).

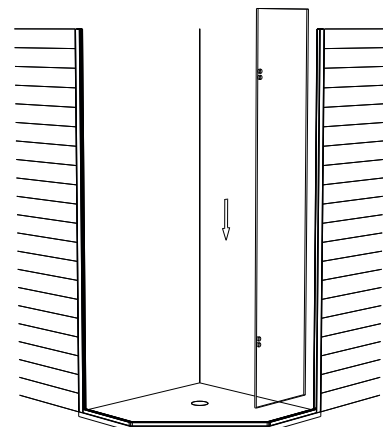
Use the Nylon Block to help.



12

Using purpose built "Glass Lifters", position and sit the Fixed Glass Panels on to the Underframe Gasket and push against the Wall Profile.

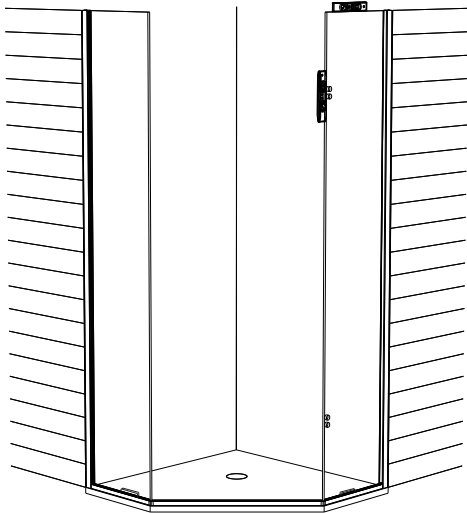
Note the orientation and position of the Panel, this can be determined by any holes or attached labels.



13

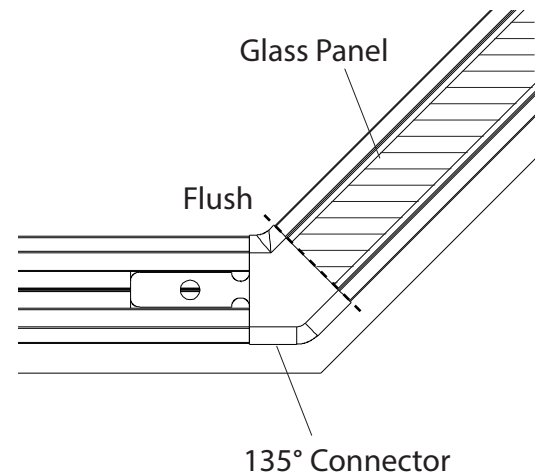
Remove and replace the Panels adding or subtracting spacers as necessary to level the Panels (to a maximum height of 5mm inside the Underframe).

Check the Panels are level using a Spirit Level.



14

Align the Fixed Panels so the Panels are butted up against the 135° Connector of the Underframe.

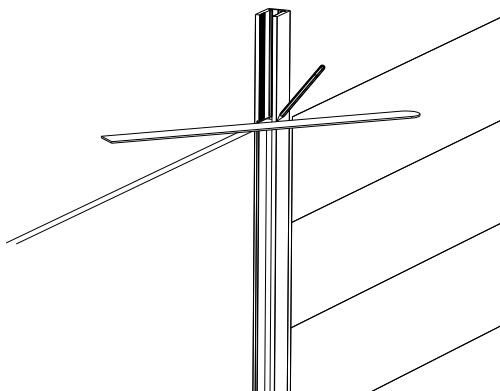


15

If the Wall Profiles are flush with the Fixed Panels, move on to step 17.

If the Wall Profiles are not flush with the top of the Glass Panels, mark the Wall Profile. Using a straight edge, mark where the wall channel needs to be trimmed.

To protect the channel finish, it is recommended to mark on masking tape.



16

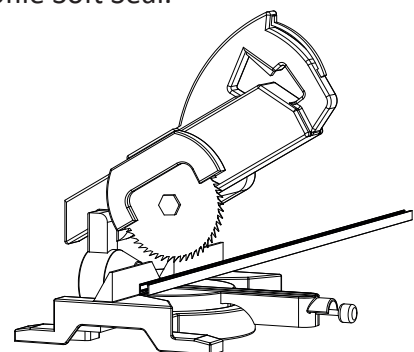
Remove the Panel, Wall Profile Soft Seal, and the Wall Profile.

Trim the Wall Profile.

Use a fine file to remove any burrs. Be careful not to damage the channel finish.

Re drill the screws in to the Wall Profile and remove after drilling.

Reinstall the Wall Profile and Wall Profile Soft Seal.



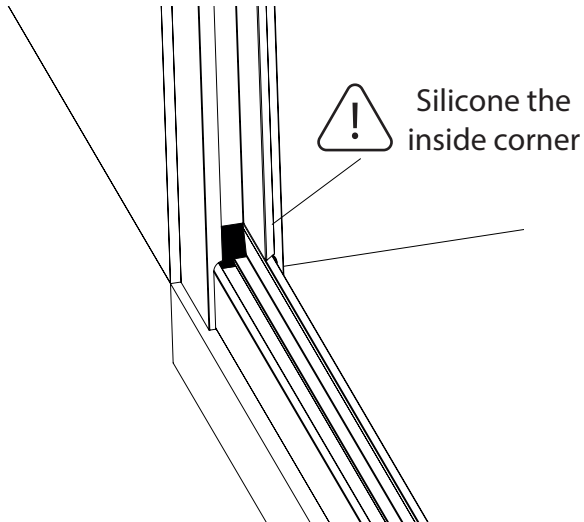
17

If the Glass is still in place, remove it.



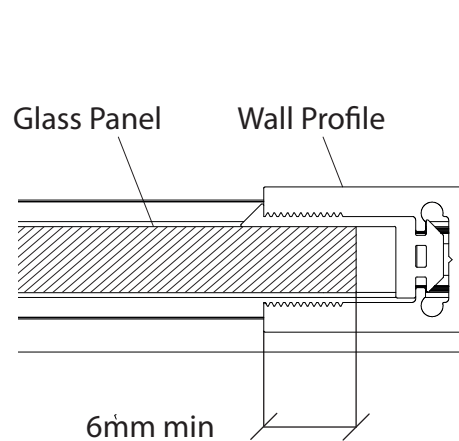
Add silicone in the corner where the Wall profile Meets the Underframe at the back.

Re-install the Glass.



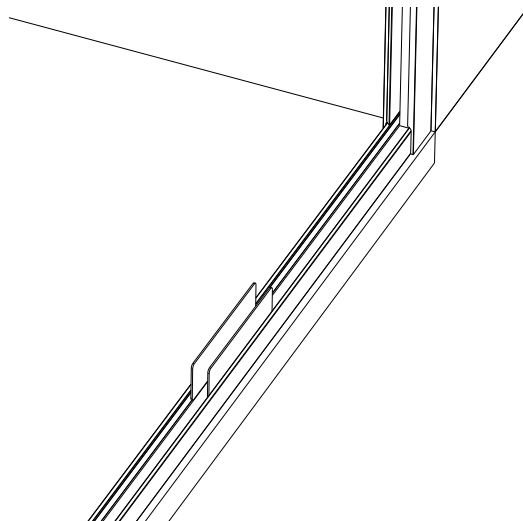
18

Ensure there is adequate glass in both the Wall Profiles. (6mm is minimum)



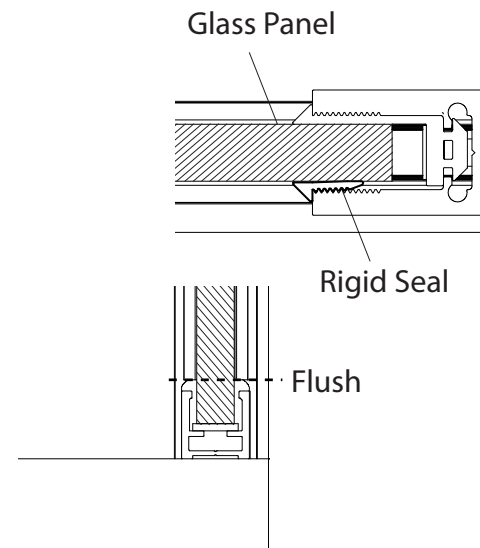
19

To centre the panels, add 1mm Packers on both sides of Inline Panels in the Underframe.



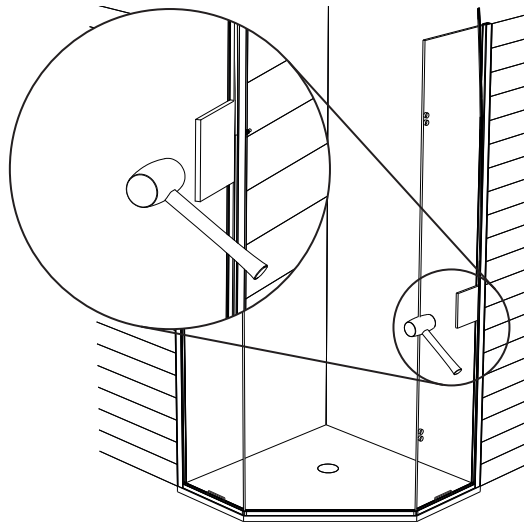
20

Apply the Rigid Seals to the dry side of the Wall Profiles starting from the archway of the Wall Profile up to the top.



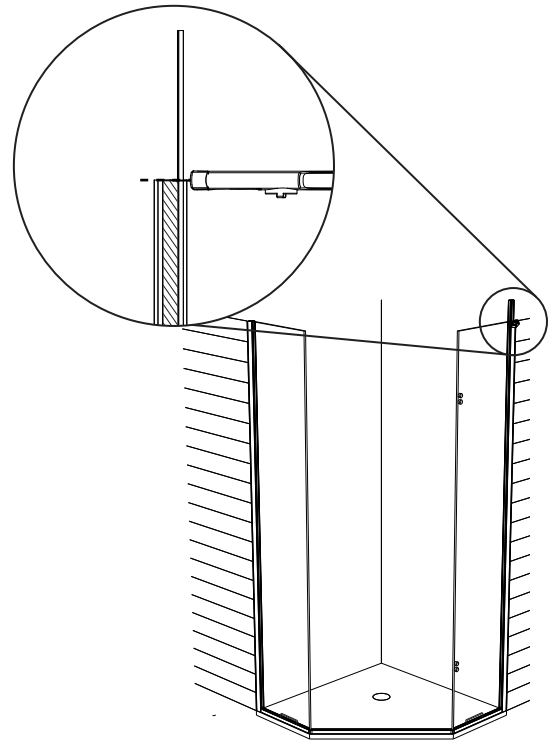
21

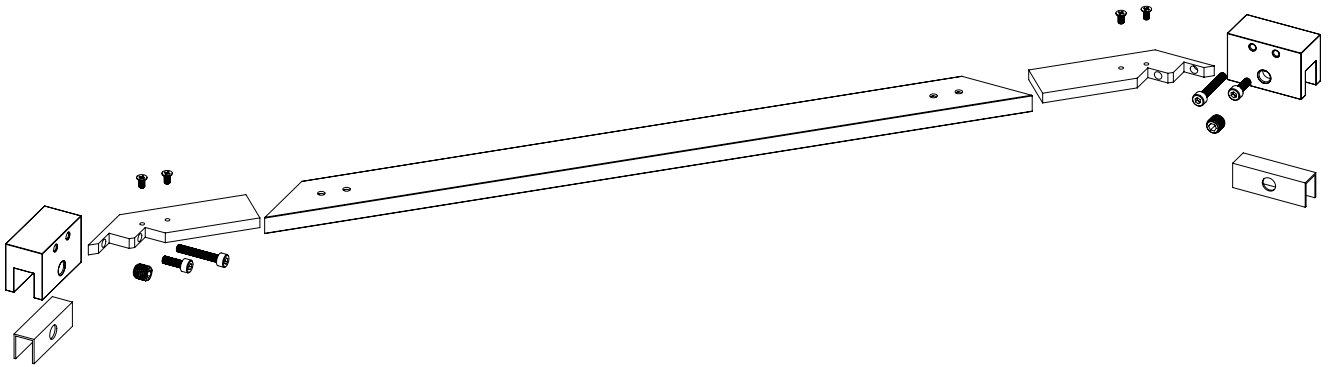
Gently tap the Wall Profile Rigid Seals into place using a rubber mallet with the Nylon Block to protect the Glass and the Wall Profile.



22

Trim both of the Wall Profile seals at the top face of each Wall Profile using a blade.

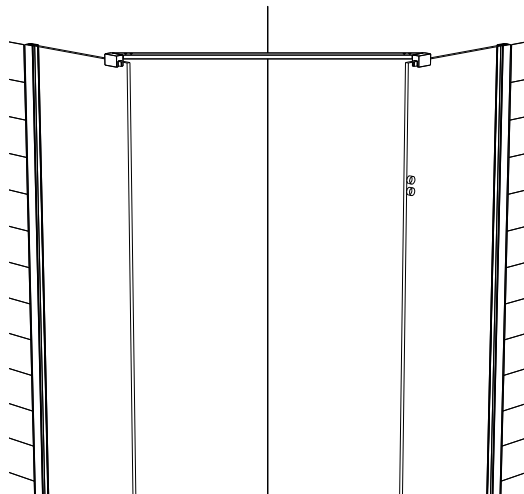




A1

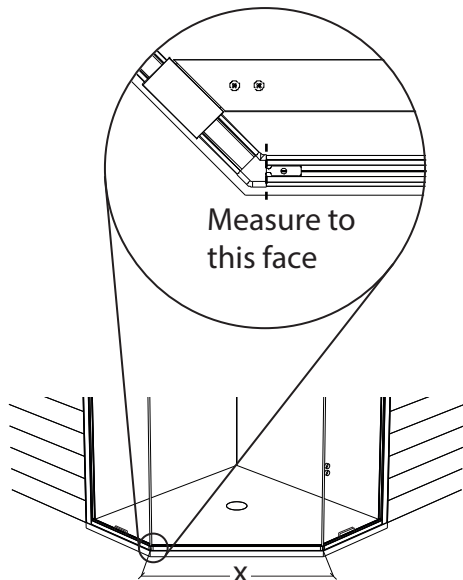
Assemble the SB5 Stay Bar and fit to the two Fixed Panels using the grub screws provided.

Ensure the Glass is fully inserted into the grooves of the Clamps.

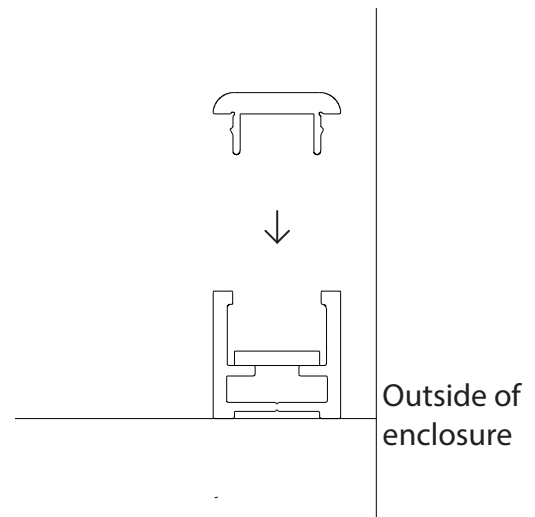


23 Measure the distance between the two Underframe 135° Connectors.

Mark and cut the Underframe Top.



24 Snap the Underframe Top on to the Underframe.

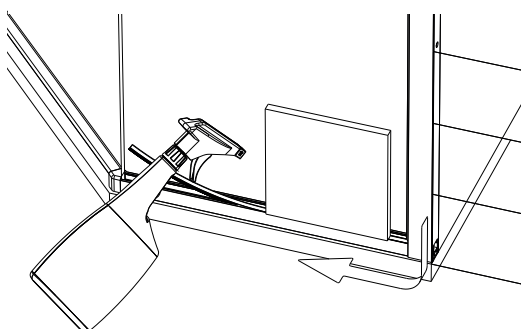


25 Remove Packers and feed the Underframe Wedge Gasket into the archway gap of the Fixed Panel and trace along the Glass on both sides.

Spray water on Glass Panel and use Nylon Block to help feed Gasket.

Trim the Wedge Gasket where it meets the Underframe Top.

Repeat for the opposite Fixed Panel.

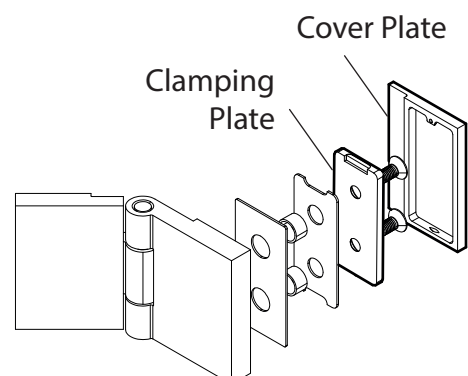


26 Attach the Glass to Glass Hinges to the Fixed Panel. Ensure you have the correct orientation.

Evenly tighten the screws until the Gaskets are just “nipping” the Glass. Tighten all screws.

You should hear a creaking sound.

DO NOT fit the Cover Plates yet.

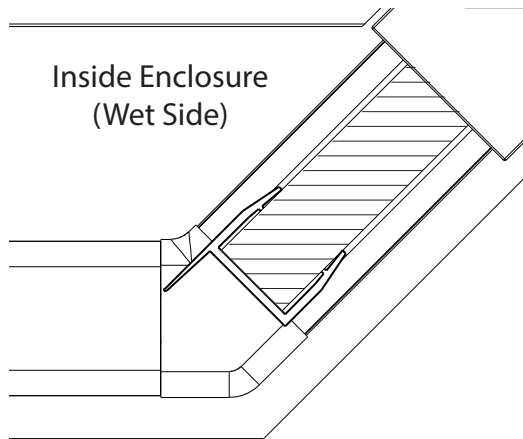


27

Attach the Glass to Glass “h” Seal to the Hinged Fixed Panel.

Check the orientation is correct.

Leave the Seal oversized. This will be trimmed later.

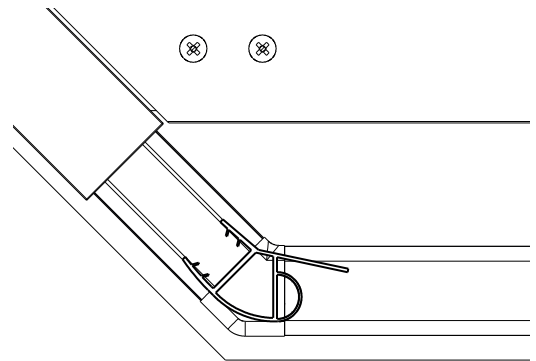


28

Attach the 135 Bubble Seal to the Return Panel on the handle side.

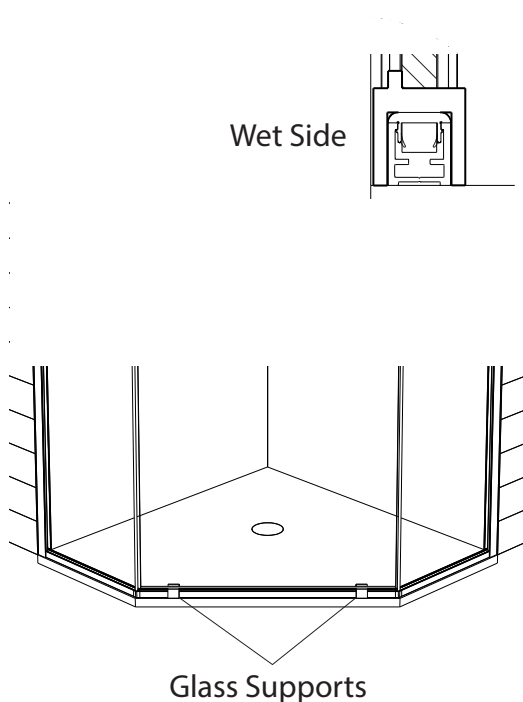
Check the orientation.

Leave the Seal oversized, this will be trimmed later.



29

Place the Glass Supports over the Underframe as shown. With one person inside the enclosure, position the Door onto the supports.

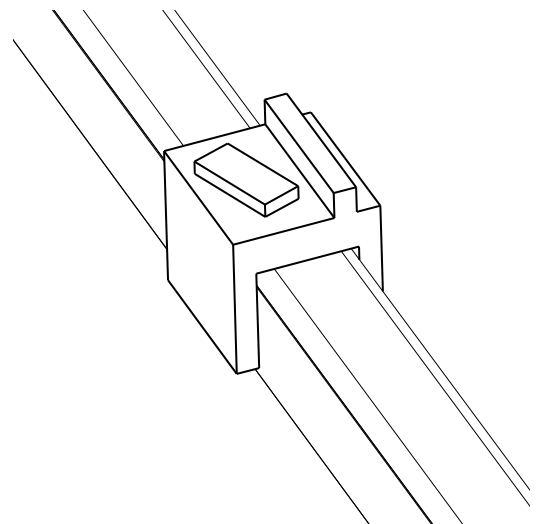


30

Add Spacers to the Glass Supports in order to level the Door.

With someone inside, carefully replace the Door onto the Supports.

Check all Panels are level and square and that the Seals touch fully.



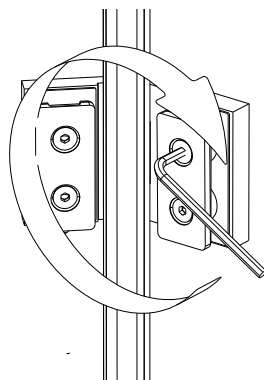
31

Attach the Glass to Glass Hinges and tighten.

Evenly tighten the screws until the gaskets are just “nipped”. Tighten all screws evenly, start with one full turn. You should hear a creaking sound.

Check the orientation of the Cover Plates. Adjust Clamping Plate to Suit.

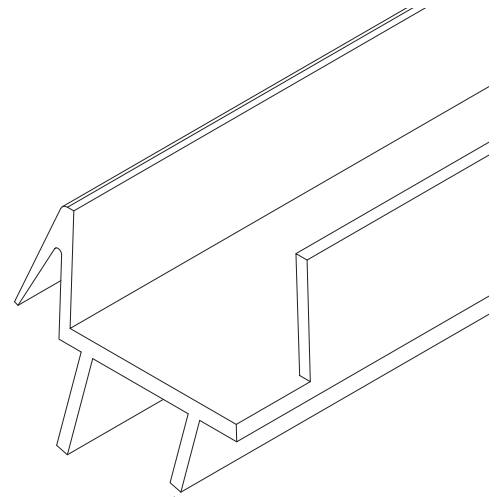
DO NOT fit the Cover Plates yet.



32

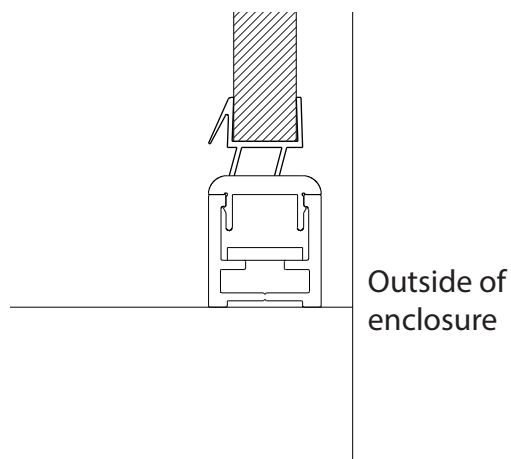
Measure the width of the Door (glass width). Cut the Bottom Door Seal accordingly.

Trim the outside edges on both ends to allow the two vertical Seals to touch the Glass.



33

Attach the Seal ensuring the Seal is correctly oriented.

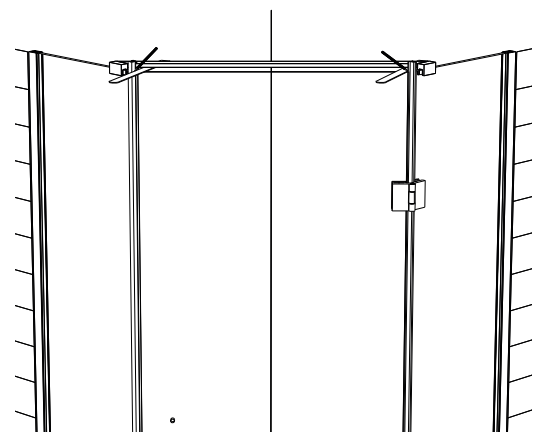


34

Push both Vertical Seals down as far as they can go.

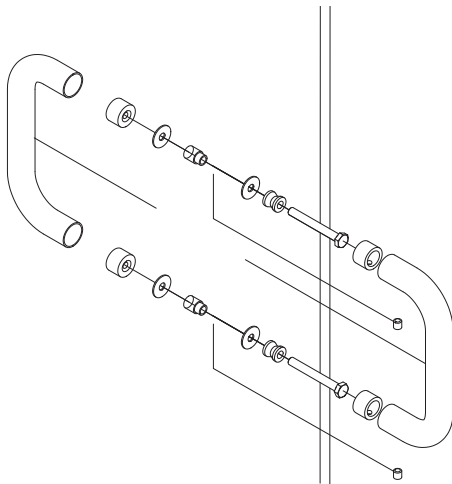
With a straight edge, mark where the Seals will be trimmed. Remove the Seals and trim with a fine toothed junior hacksaw so they are flush with the tops of the Glass Panels.

Replace the seals.



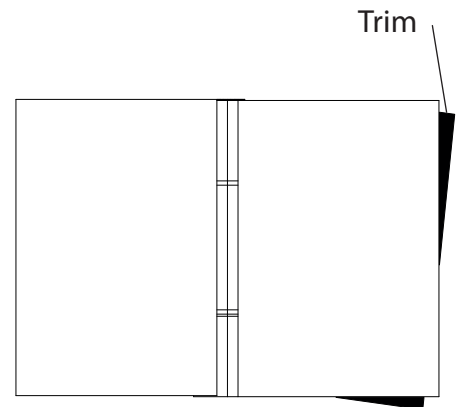
35 Attach the Handle if included. Secure in place with the grub screws provided.

The Handle should be oriented so that the grub screws are not visible when looking down on the handle.

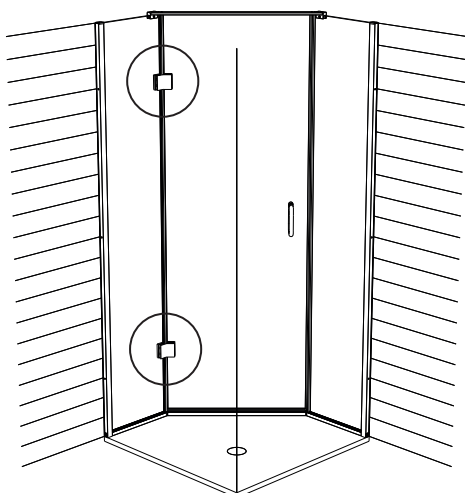


36 Using a sharp modelling knife, trim any excess gasket material from the Hinges that may have squeezed out when tightening.

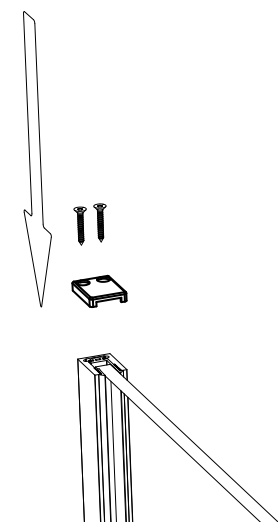
Take care not to scratch the glass surface.



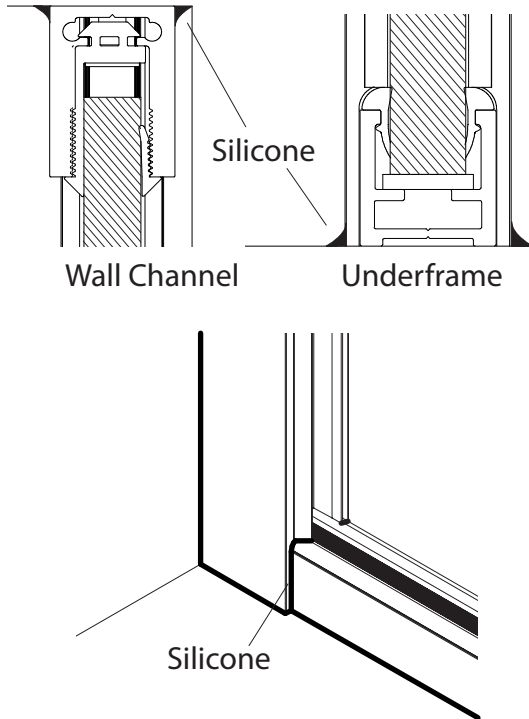
37 Tighten all screws.
Fit all Cover Plates to the Hinges.



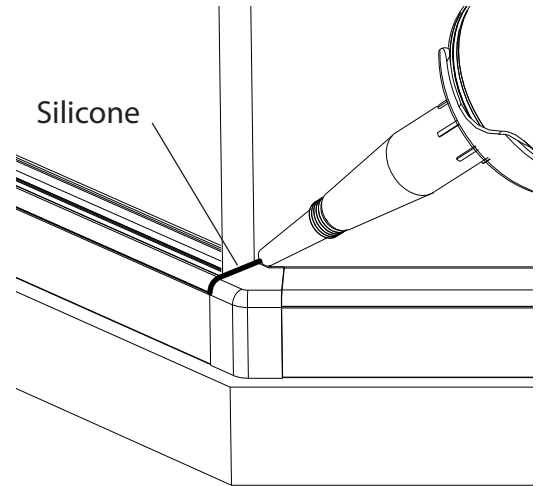
38 Apply the Wall Profile End Caps to the top of the Wall Profiles and fix in place using self tapping screws.



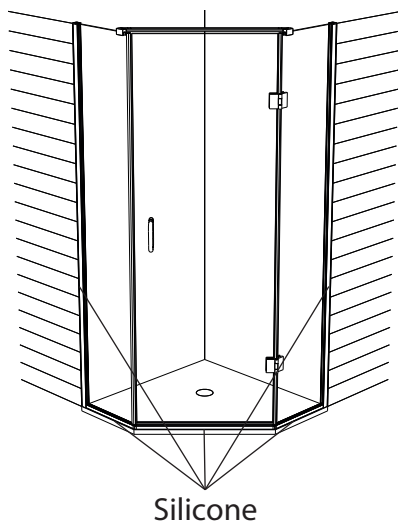
- 39 Apply silicone sealant along the wall and floor, all around the outside of the Underframe and Wall Profiles.



- 40 Apply silicone to the edge of the Underframe Top where it meets the two Fixed Panels.



- 41 Check silicone has been applied to all the below outside areas.



- 42 Check silicone has been applied to all the below inside areas.

Let the silicone sealant cure for 24 hours.

