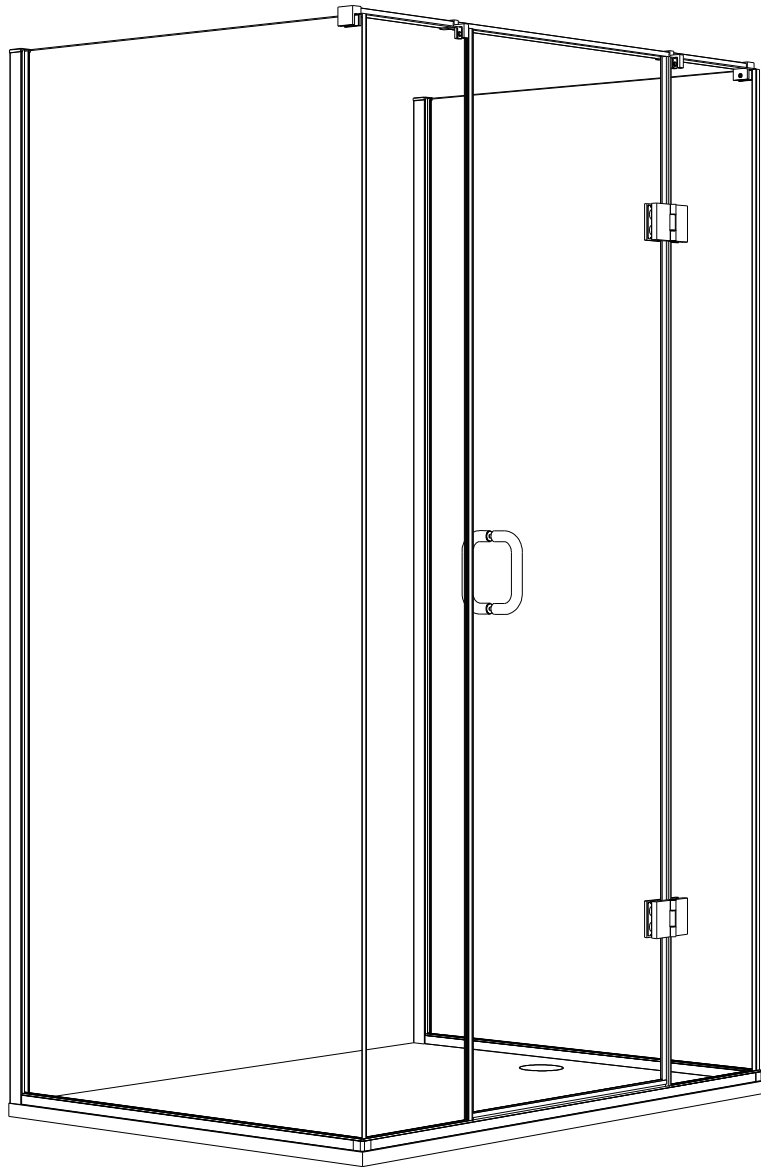


# THE SHOWER LAB

---



VIEW 23



Illustration - View 23

H1 Handle  
SB8 Stay Bar  
Right Hand

**IMPORTANT**

- This shower screen / enclosure must be installed by suitably qualified individuals. We recommend a minimum of two people for safe assembly of certain sections of this screen.
- Ensure all appropriate safety equipment, especially protective footwear, safety glasses and gloves are used.
- When drilling holes in ceramic tiles, use masking tape to prevent the drill from slipping: DO NOT use hammer action as this will crack the tiles. Use a high quality drill bit to ensure a clean, precise hole.
- Tighten hinges and brackets to the recommended **15.6N**.
- Please leave these instructions with the customer following installation.

**PRIOR TO INSTALLATION**

- Before disposing of the packaging and prior to commencing assembly, please check all the components to ensure that they have been supplied correctly and are undamaged. Subsequent claims for missing or damaged pieces will not be accepted once the packaging has been disposed of and installation commenced.
- In the event of any queries please contact your supplier quoting the relevant model information.
- The Tray / Tiled floor on which this screen is to be installed must be level on all sides.
- It may be necessary to use alternate fixings to those supplied, depending on the properties of the walls to be fixed to.
- Use the protective corners supplied at all times until the glass is moved to its final position.
- Ensure that the glass is installed correctly, taking care to avoid installing the glass upside down. On certain panels an easy clean coating is applied to one side only, this is clearly marked with a sticker on the non-coated side. The coated surface is to be fitted inwards towards the inside (wet side) of the screen.
- Ensure that all surfaces to be sealed are clean and dry prior to applying the silicone sealant. Use a high grade fungal resistant sealant.
- Allow a minimum of 24 hours after application of the silicone sealant prior to using the screen.

**TOOLS & MATERIALS REQUIRED**

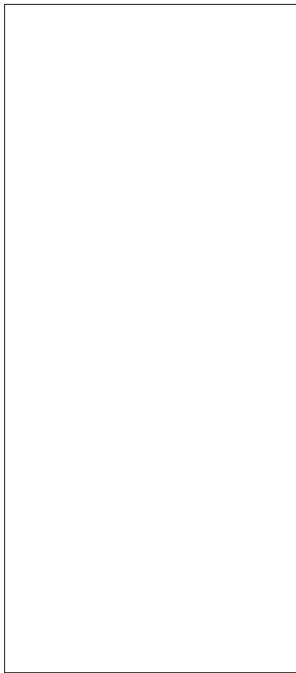
Junior Hacksaw	Modelling Knife	High Quality Silicone Sealant
Straight Edge (Steel Rule)	Spirit Level	Digital Torque Wrench
Fine Tooth File	Pencil	Tape Measure
Set or Roofing Square	Silicone Gun	Pozi-drive
Masking Tape	Power Drill	Screwdrivers, PZ1&2
	Ø6mm Masonry Drill Bit	Safety Glasses and
	2x Suction Glass Lifters	Gloves

**CARE AND MAINTENANCE**

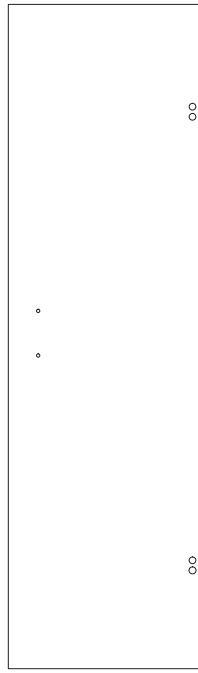
(please ensure that these instructions are left with the installed unit)

- We recommend routine cleaning of your screen / enclosure with hot water using a soft cloth, then drying with a dry soft cloth or chamois leather.  
**Ritec Aftercare for Shower Glass** is recommended for best results.
- All glass has been treated with EASY CLEAN glass finish and care must be taken to avoid any abrasive cleaning products that may damage the special surface protection.
- DO NOT use acidic based de-scaler products or products containing bleaches or solvents.

Supplied Parts



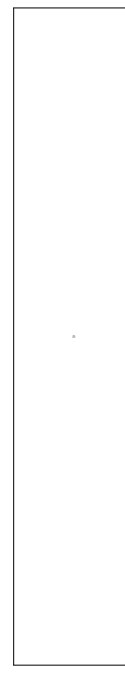
Return panel  
x2



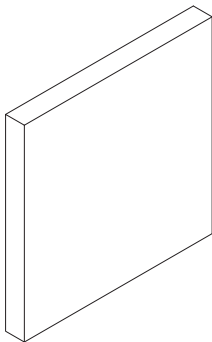
Door  
x1



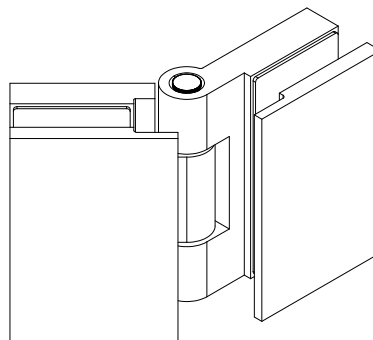
Inline fixed panel  
x1



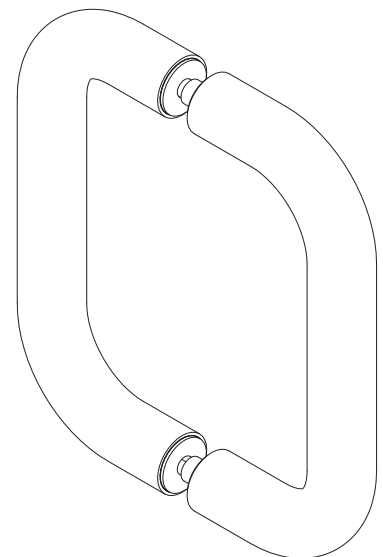
Inline fixed panel  
x1



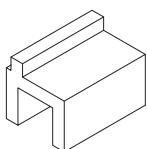
Nylon Block  
x1



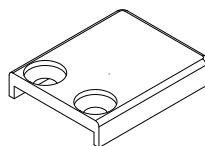
Glass to Glass Hinge  
x2



Door Handle  
(Option dependant)  
x1

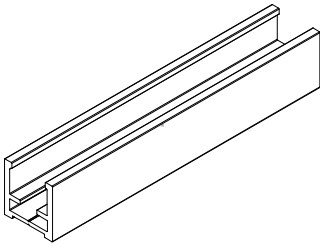


Glass Support  
x2

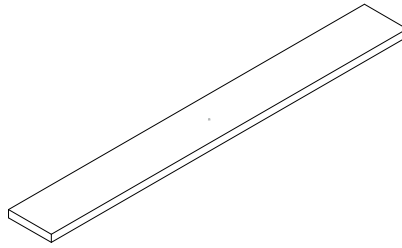


Wall Profile End Cap  
x2

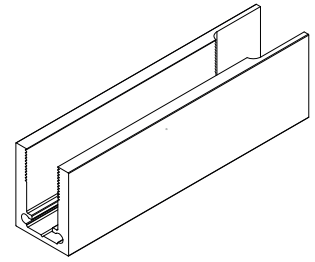
Supplied Parts



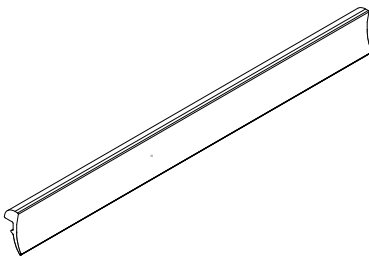
Underframe  
x3



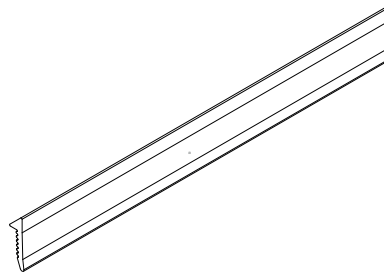
Underframe Gasket  
x3



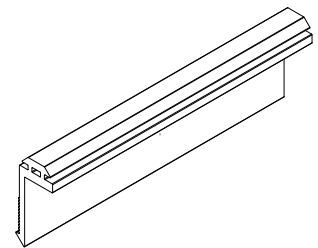
Wall Profile  
x2



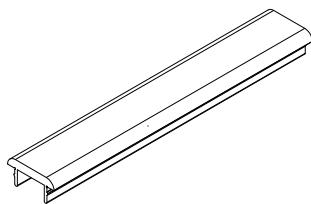
Underframe Wedge Gasket  
x4



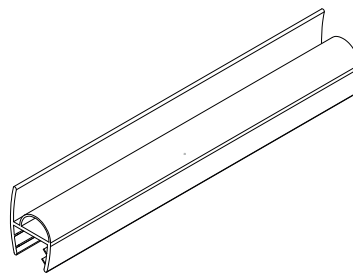
Wall Profile Rigid Seal  
x2



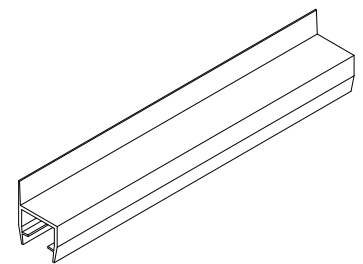
Wall Profile Soft Seal  
x2



Underframe Top  
x1

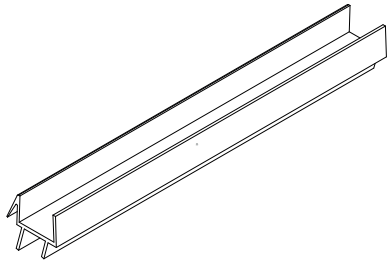


Glass to Glass Bubble "h" Seal  
x1

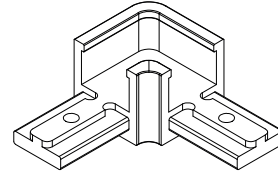


Glass to Glass Seal  
x1

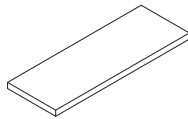
Supplied Parts



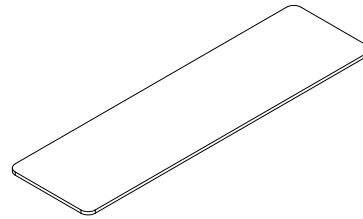
Bottom Door Seal  
x1



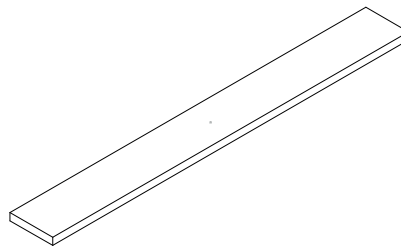
Underframe 90° Connector  
x2



Spacers



Packers



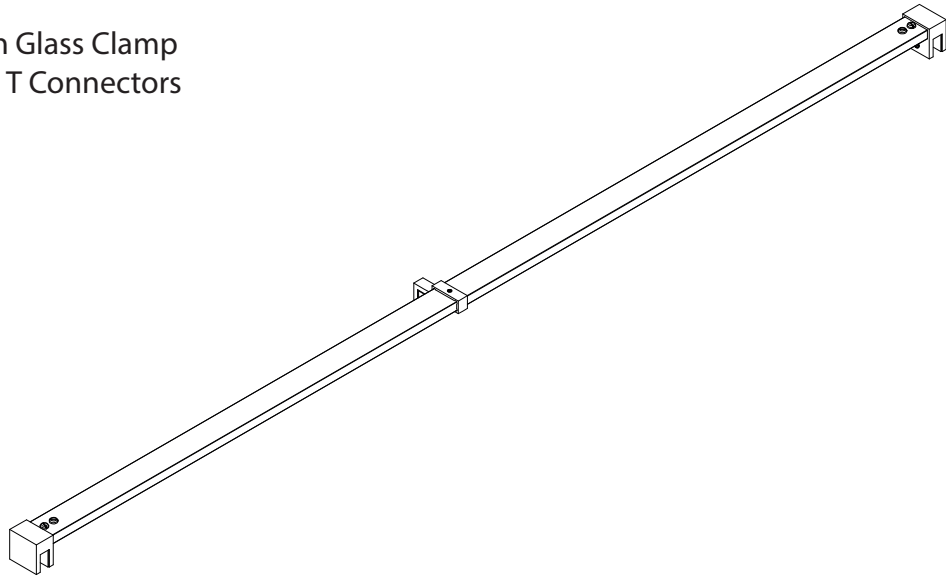
Glass to Glass Adhesive Gasket  
x2

---

Supplied Parts

Please use this page to find which stay bar your enclosure has been supplied with.

SB8 - With Glass Clamp  
and T Connectors

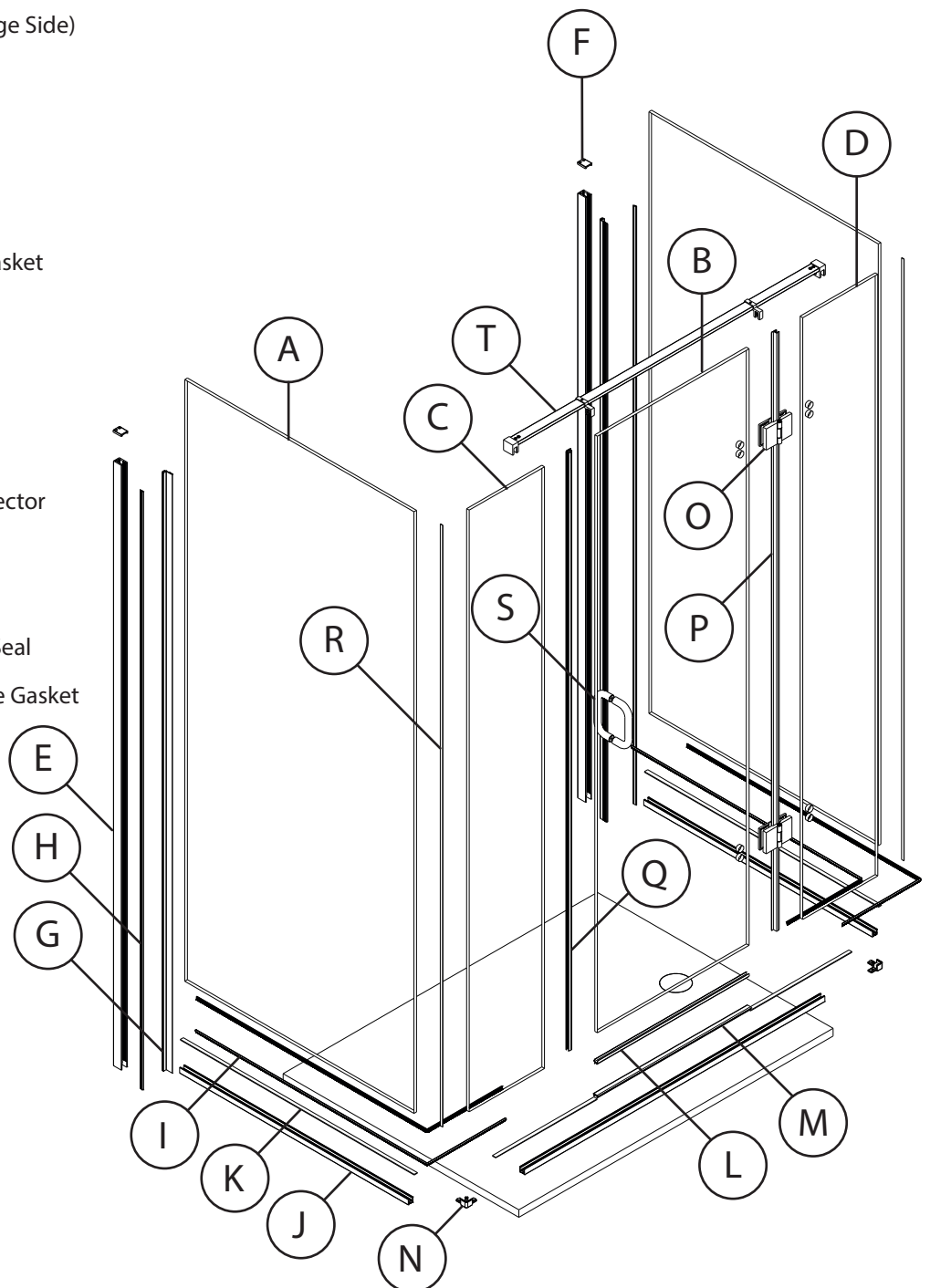


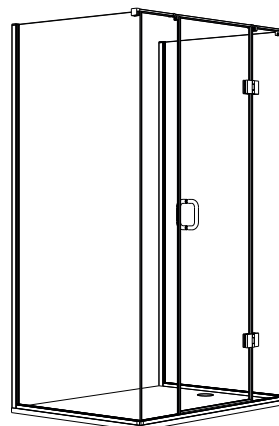
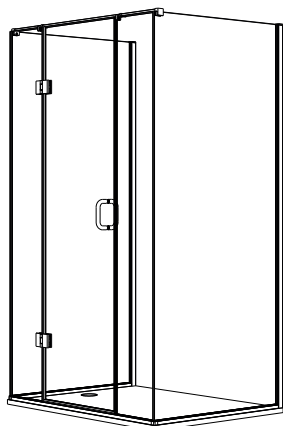
These instructions are for the View 23. An SB8 Stay Bar is used for this illustration.

The following instructions are valid for both the 20mm and 30mm profiles. The 30mm profile is used in the following instructions.

Please use the below diagram to reference the list of parts.

- (A) Return Panel
- (B) Door Panel
- (C) Fixed Inline Panel (Handle Side)
- (D) Fixed Inline Panel (Hinge Side)
- (E) Wall Profile
- (F) Wall Profile End Cap
- (G) Wall Profile Soft Seal
- (H) Wall Profile Rigid Seal
- (I) Underframe Wedge Gasket
- (J) Underframe
- (K) Underframe Gasket
- (L) Bottom Door Seal
- (M) Underframe Top
- (N) Underframe 90° Connector
- (O) Glass to Glass Hinge
- (P) Glass to Glass Seal
- (Q) Glass to Glass Bubble Seal
- (R) Glass to Glass Adhesive Gasket
- (S) Handle (If Supplied)
- (T) Stay Bar (SB2 Shown)





Enclosure dimensions to OUTSIDE of Wall Profiles - See spec below  
 Front Underframe dimension - (Below Width -6mm For Wall Profile Overlap)  
 Return Underframe dimension - (See spec below)

STANDARD ENCLOSURES - 30mm (CH30) Wall Profiles

Code	Width	Return	Height	<input checked="" type="checkbox"/>
VR23S157176	962	733-747	2000	<input type="checkbox"/>
VR23S157180	962	773-787	2000	<input type="checkbox"/>
VR23S157190	962	873-887	2000	<input type="checkbox"/>
VR23S1571100	962	973-987	2000	<input type="checkbox"/>
VR23S159176	978	733-747	2000	<input type="checkbox"/>
VR23S159180	978	773-787	2000	<input type="checkbox"/>
VR23S159190	978	873-887	2000	<input type="checkbox"/>
VR23S1591100	978	973-987	2000	<input type="checkbox"/>
VR23S257276	1162	733-747	2000	<input type="checkbox"/>
VR23S257280	1162	773-787	2000	<input type="checkbox"/>
VR23S257290	1162	873-887	2000	<input type="checkbox"/>
VR23S2572100	1162	973-987	2000	<input type="checkbox"/>
VR23S259276	1178	733-747	2000	<input type="checkbox"/>
VR23S259280	1178	773-787	2000	<input type="checkbox"/>
VR23S259290	1178	873-887	2000	<input type="checkbox"/>
VR23S2592100	1178	973-987	2000	<input type="checkbox"/>
VR23S357376	1362	733-747	2000	<input type="checkbox"/>
VR23S357380	1362	773-787	2000	<input type="checkbox"/>
VR23S357390	1362	873-887	2000	<input type="checkbox"/>
VR23S3573100	1362	973-987	2000	<input type="checkbox"/>
VR23S359376	1378	733-747	2000	<input type="checkbox"/>
VR23S359380	1378	773-787	2000	<input type="checkbox"/>

Code	Width	Return	Height	<input checked="" type="checkbox"/>
VR23S357390	1362	873-887	2000	<input type="checkbox"/>
VR23S3573100	1362	973-987	2000	<input type="checkbox"/>
VR23S359376	1378	733-747	2000	<input type="checkbox"/>
VR23S359380	1378	773-787	2000	<input type="checkbox"/>
VR23S359390	1378	873-887	2000	<input type="checkbox"/>
VR23S3593100	1378	973-987	2000	<input type="checkbox"/>
VR23S457476	1562	733-747	2000	<input type="checkbox"/>
VR23S457480	1562	773-787	2000	<input type="checkbox"/>
VR23S457490	1562	873-887	2000	<input type="checkbox"/>
VR23S4574100	1562	973-987	2000	<input type="checkbox"/>
VR23S459476	1578	733-747	2000	<input type="checkbox"/>
VR23S459480	1578	773-787	2000	<input type="checkbox"/>
VR23S459490	1578	873-887	2000	<input type="checkbox"/>
VR23S4594100	1578	973-987	2000	<input type="checkbox"/>
VR23S557576	1762	733-747	2000	<input type="checkbox"/>
VR23S557580	1762	773-787	2000	<input type="checkbox"/>
VR23S557590	1762	873-887	2000	<input type="checkbox"/>
VR23S5575100	1762	973-987	2000	<input type="checkbox"/>
VR23S559576	1778	733-747	2000	<input type="checkbox"/>
VR23S559580	1778	773-787	2000	<input type="checkbox"/>
VR23S559590	1778	873-887	2000	<input type="checkbox"/>
VR23S5595100	1778	973-987	2000	<input type="checkbox"/>

BESPOKE ENCLOSURES - 30mm (CH30)/ 20mm (CH20) Wall Profiles

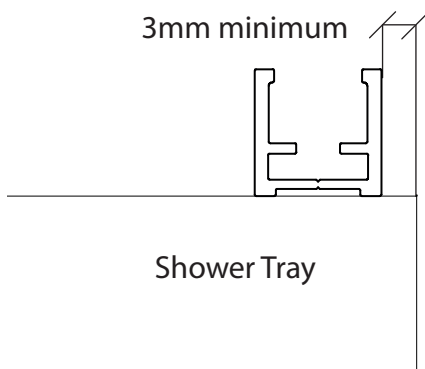
If you have a Bespoke Enclosure, reference the Install Sheet for the panel specifications of the Enclosure.  
**CH30 - Bespoke Front Width:** Door + Panels + 41 = Minimum Width + 14 = Maximum Width  
**CH30 - Bespoke Enclosure Return Width:** Return Panel + 17 = Minimum Width + 14 = Maximum Width  
**CH20 - Bespoke Front Width:** Door + Panels + 41 = Minimum Width + 4 = Maximum Width  
**CH20 - Bespoke Enclosure Return Width:** Return Panel + 17 = Minimum Width + 4 = Maximum Width



01 Position the Underframe parallel to tray edge. If using a raised shower tray, leave a minimum 3mm gap from the edge of the tray (5mm is recommended).

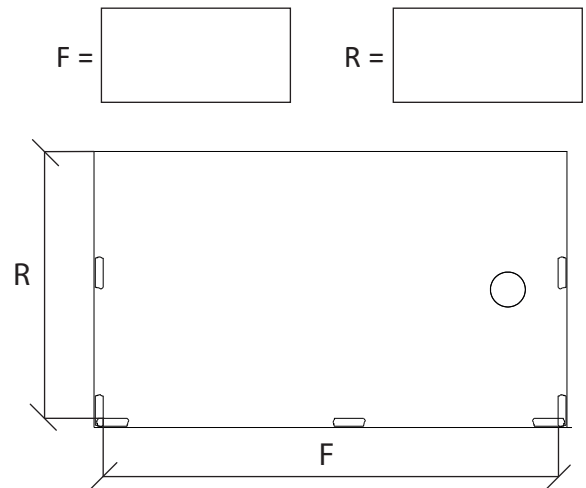
Use tape to mark this dimension.

Repeat for the Return Underframe Profile.

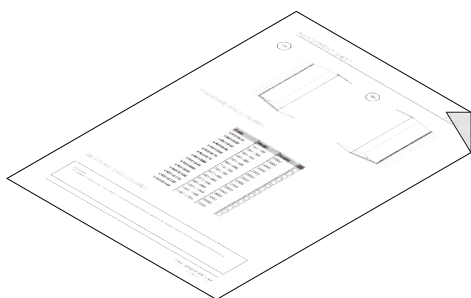


02 Measure the distance from the tape edge to the tiling and take note of this distance.

Repeat for the Return Underframe.

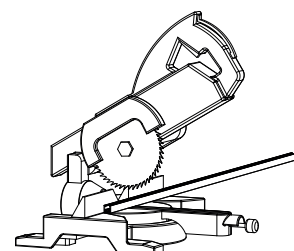
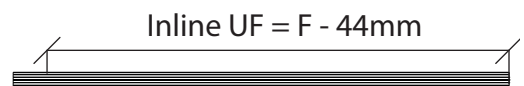
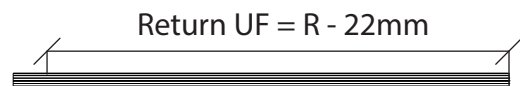


03 Check the dimensions are within the allowed adjustments by referencing the attached adjustment sheet.



04 Subtract 44mm from the Front Underframe dimension and 22mm from Return Underframe dimension. This is the profile width. Mark this measurement on the Underframe.

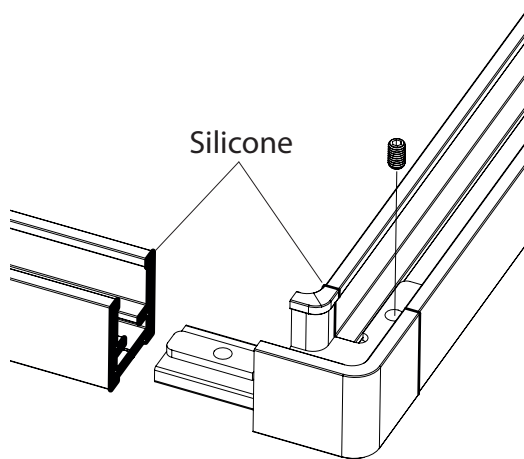
Cut squarely using a chop saw. Use a fine toothed file to remove any burrs, be careful not to damage the surface finish.



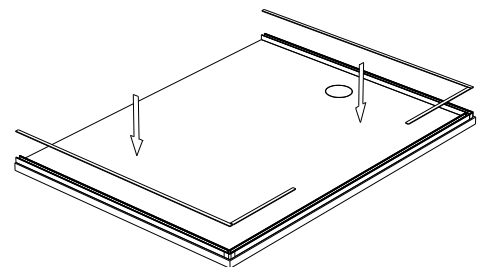
- 05 Connect the Underframe Profiles together using the Underframe 90° Connector and supplied screws.

Add a small amount of silicone to the ends of the Underframe before connecting.

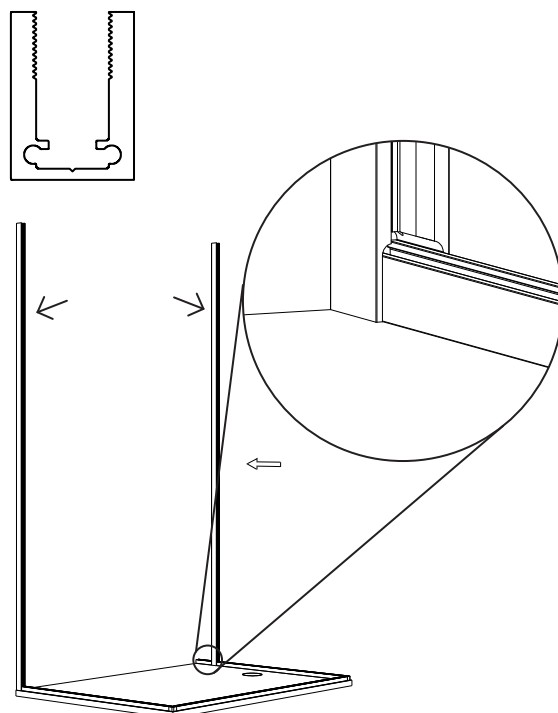
Remove the backing strips from the self adhesive and fix firmly to the tray.



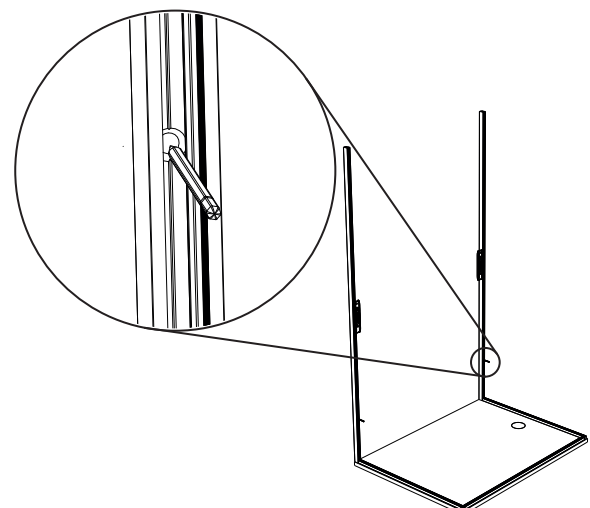
- 06 Place the Underframe Gaskets where the glass will sit into the Underframe and butt up against the wall.



- 07 Place the Wall Profiles over the Underframe and up against the wall.



- 08 Ensure the Wall Profiles are vertical by using a spirit level. Mark the positions of the pre-drilled holes.



09

Remove the Wall Profiles and drill holes with a 6mm high quality drill bit for a clean and precise hole.



Fully insert the wall plugs.

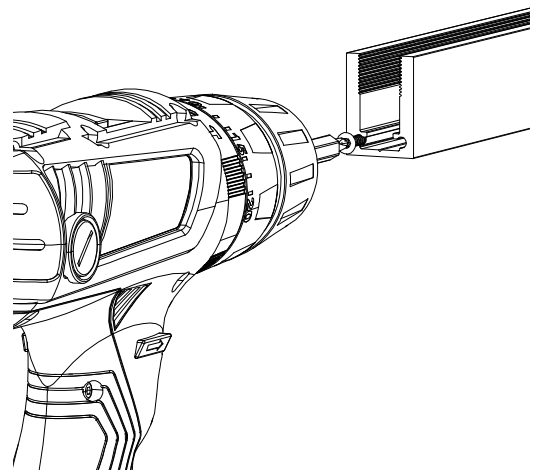
**Professional Tip**  
 If drilling ceramic tiles, place masking tape on the tiles before marking and drill through the tape to prevent the drill bit from skidding.  
  
 DO NOT use Hammer Action as this will break the tiles.

10

Pre drill the No 6 screws in to the Wall Profile to create the thread for the Top Cap, then REMOVE screws.

Fix the Wall Profiles to the wall using the No 8 screws.

-  (No 8) Profile - Wall
-  (No 6) Profile - Top Cap

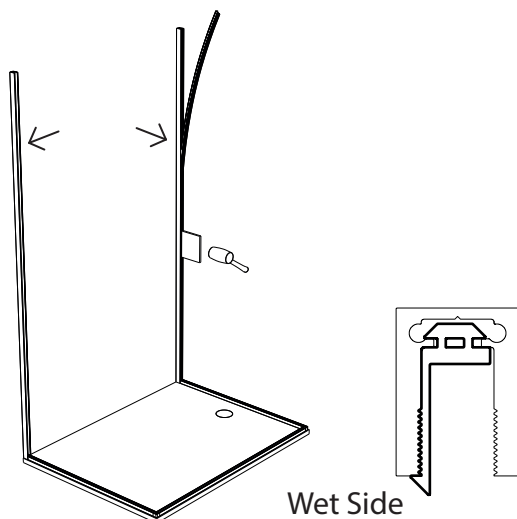


11

Take the Wall Profile Soft Seals and push the seal into place on each Wall Profile to cover the screws.

Ensure the fin is on the inside (wet side).

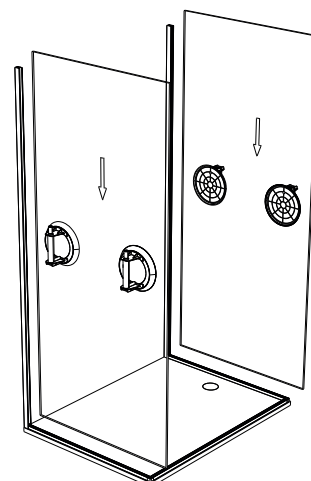
Use the Nylon Block to help.



12

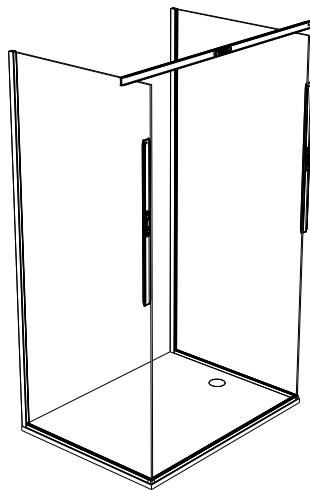
Using purpose built "Glass Lifters", position and sit the Return Glass Panels on to the Underframe Gasket and push against the Wall Profiles.

Note the orientation and position of the Panels, this can be determined by any holes or attached labels.

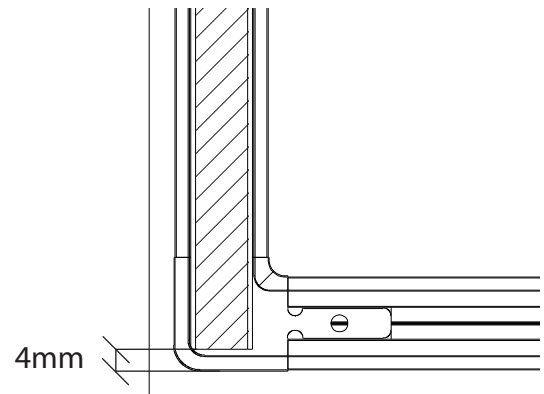


- 13 Remove and replace the Panels adding or subtracting spacers as necessary to level the Panel (to a maximum height of 5mm inside the Underframe).

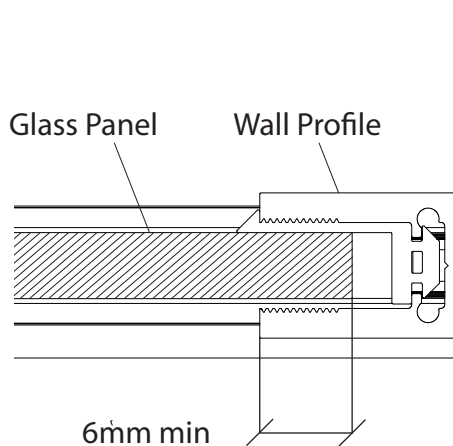
Check the Panel is level using a Spirit Level.



- 14 Check the Return Panels has a 4mm gap between the Panel and the front face of the Front Underframe.



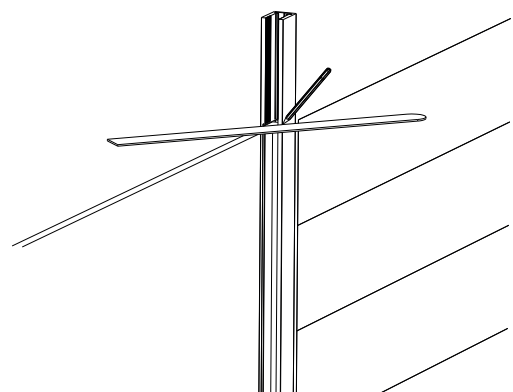
- 15 Ensure there is adequate glass in both the Wall Profiles. (6mm is minimum)



- 16 If the Wall Profiles are flush with the Glass Panels, move on to step 18.

If the Wall Profiles are not flush with the top of the Glass Panels, mark the Wall Profile. Using a straight edge, mark where the wall channel needs to be trimmed.

To protect the channel finish, it is recommended to mark on masking tape.



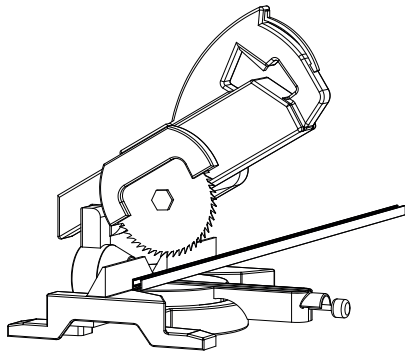
17 Remove the Panel, Wall Profile Soft Seal, and the Wall Profile.

Trim the Wall Profile.

Use a fine file to remove any burrs. Be careful not to damage the channel finish.

Re drill the screws in to the Wall Profile and remove after drilling.

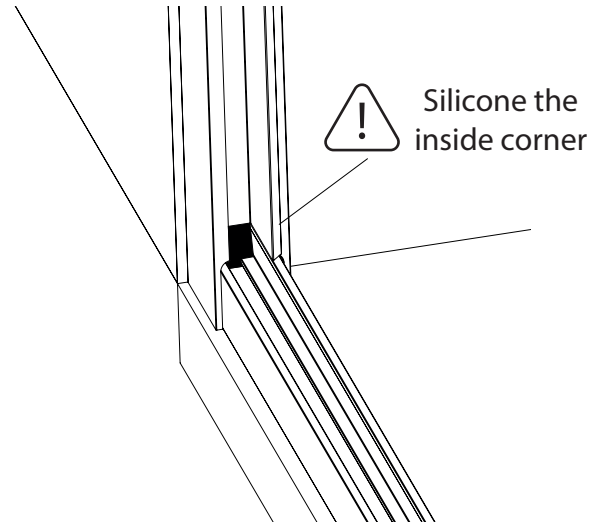
Reinstall the Wall Profile and Wall Profile Soft Seal.



18 If the Glass is still in place, remove it.

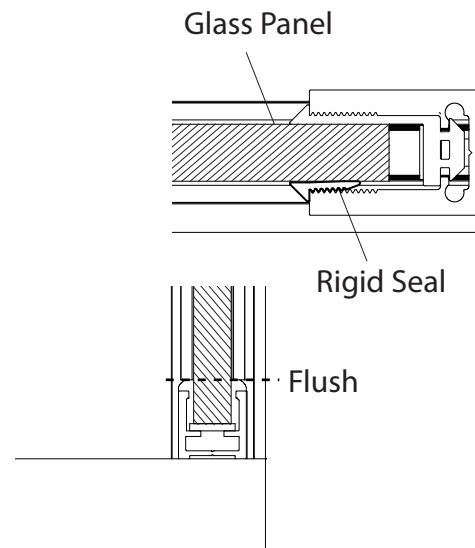
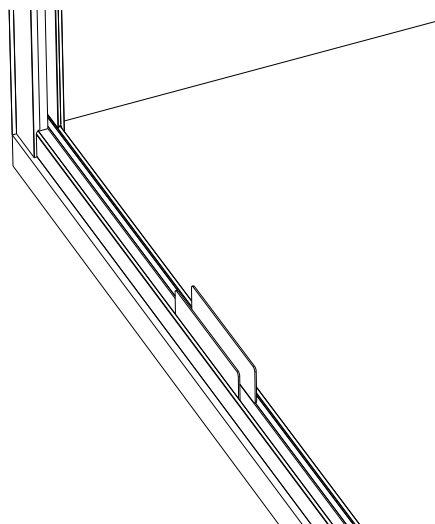
! Add silicone in the corner where the Wall profile Meets the Underframe at the back.

Re-install the Glass.

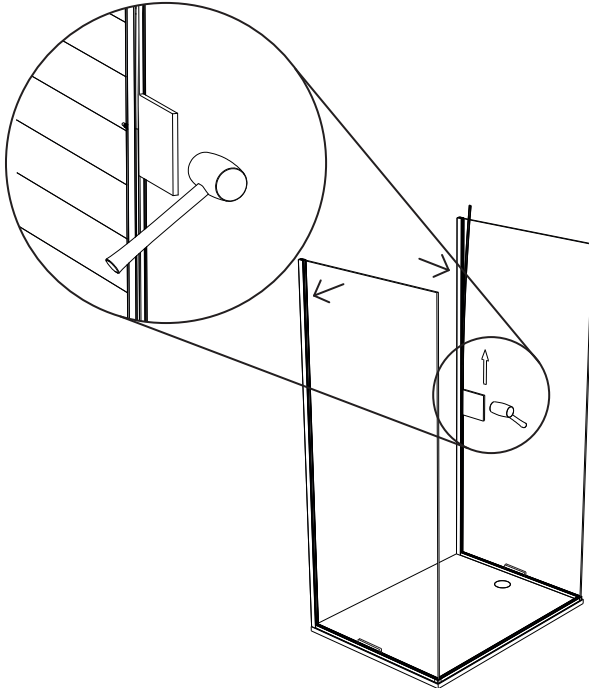


19 To centre the panels, add 1mm Packers on both sides of the Return Panels in the Underframe.

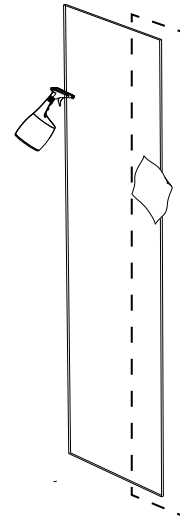
20 Apply the Rigid Seals to the dry side of the Wall Profiles starting from the archway of the Wall Profile up to the top.



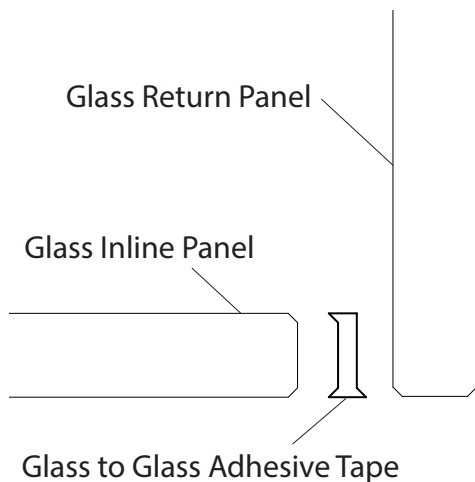
- 21 Gently tap the Wall Profile Rigid Seal into place using a rubber mallet with the Nylon Block to protect the Glass and the Wall Profile.



- 22 Clean the edges of the Glass Inline Panels and Return Panels where the Glass to Glass Adhesive Tape will be applied.



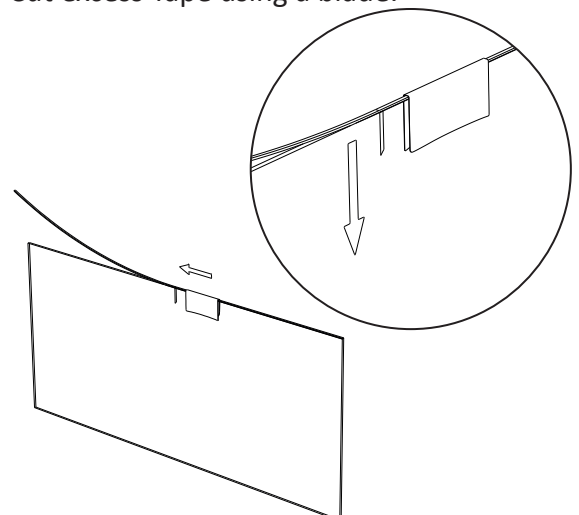
- 23 Before Installing the Glass to Glass Adhesive Tape, ensure that the Tape is orientated and positioned correctly on the Glass Inline Panel as shown below.



- 24 Position the Glass to Glass Adhesive tape on the correct edge of the Inline Panel. Using a cloth or towel, apply the Tape to the Panel.

Peel back the protective adhesive strip while firmly applying the Tape.

Cut excess Tape using a blade.



25

Using purpose built "Glass Lifters", carefully place the Inline Panel on to the Underframe Gasket and push against the Return Panel.

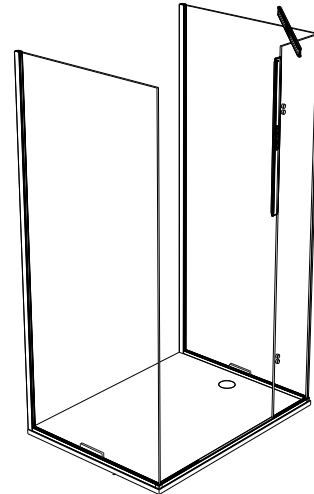
Note the orientation and position of the Panel, this can be determined by any holes or attached labels.



26

Remove and replace the Panel adding or subtracting spacers as necessary to level the Panel (to a maximum height of 5mm inside the Underframe).

Check the Panel is level using a Spirit Level. If the difference between the two Panels is greater than 5mm, it may be necessary to lower the Return Panel.

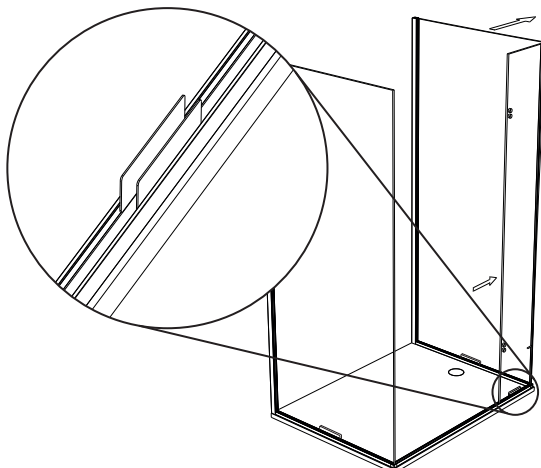


27

Pull Inline Panel away from the Return Panel. Add 1mm Packers to both sides of Inline Panel in the Underframe.

Remove the protective adhesive strip from the Tape. Gently push the top of Return Panel away from Inline Panel.

From the bottom, push the Inline Panel towards the Return Panel.



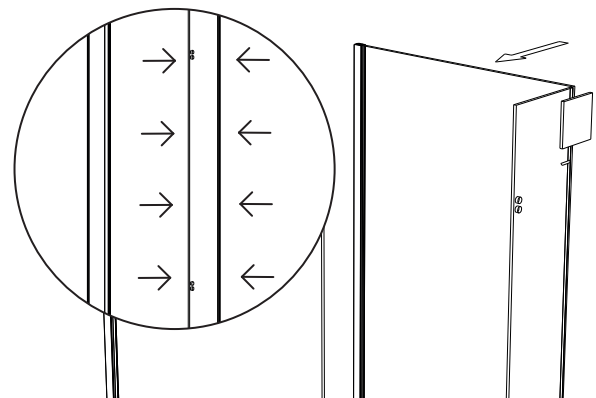
28

Start to pull the Return Panel back when approaching the top.

Use the Nylon Block to ensure that the Inline Panel is level with the edge of the Return Panel.

Ensure the two panels are firmly fixed together and remove Inline Packers.

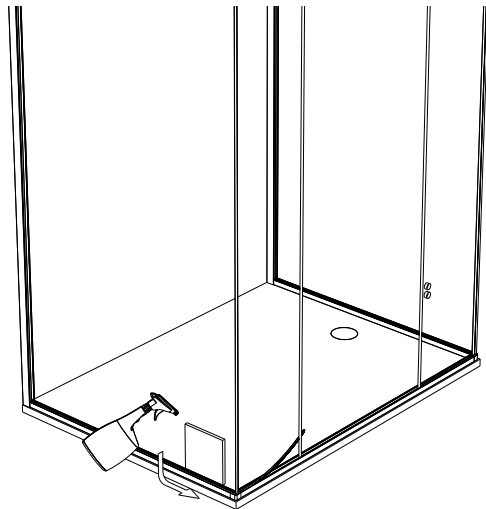
Repeat steps 25-28 for the installation of the opposite Inline Panel.



29

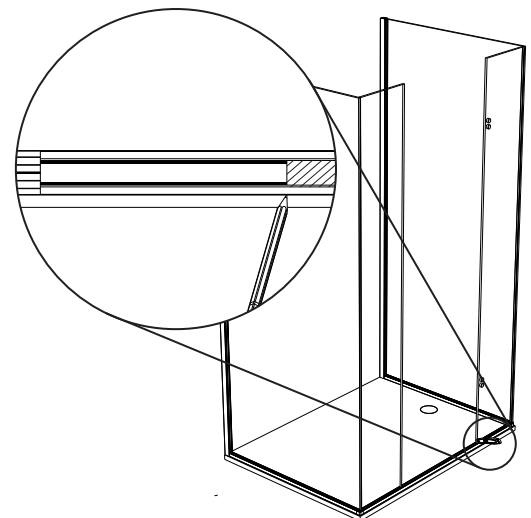
Remove Inline Panel Packers and feed the Underframe Wedge Gasket into the archway gap of the Return Panel and Inline Panel and trace along the Glass on both sides.

Spray water on Glass Panel and use Nylon Block to help feed Gasket.



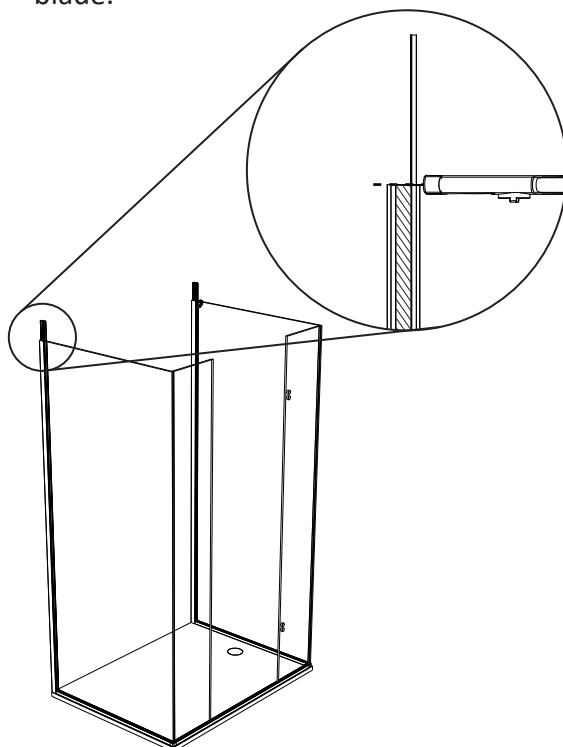
30

Leave the gaskets oversized until the Underframe Top has been Installed.



31

Trim both of the Wall Profile seals at the top face of each Wall Profile using a blade.



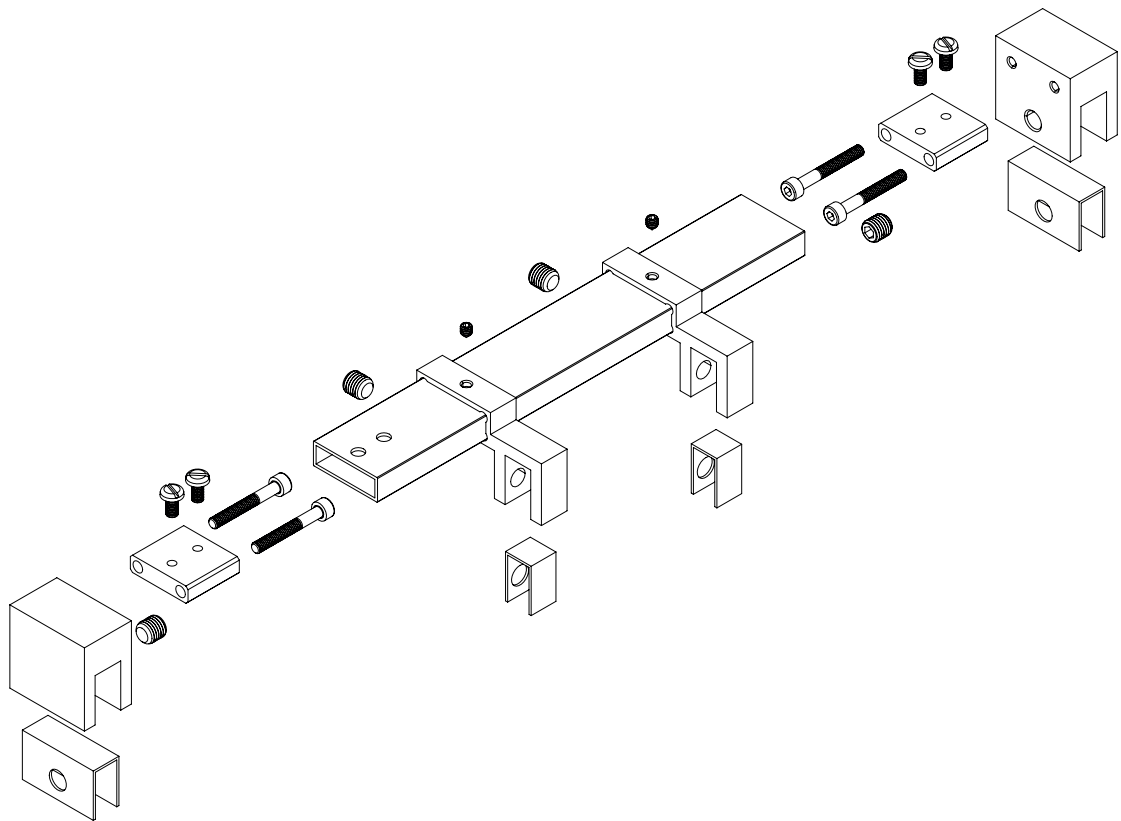
32

Check which Stay Bar configuration your screen has been supplied with and refer to the relevant instructions below. (You can find this out at the front of these instructions).

Config A - SB8

Page 09





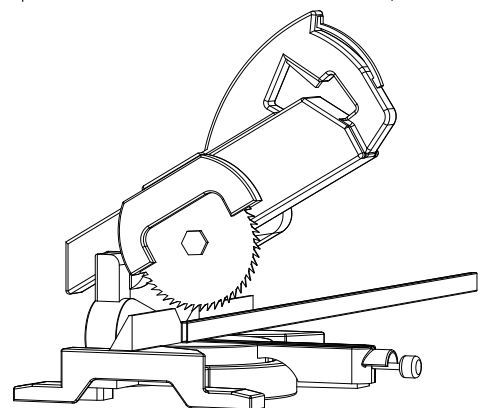
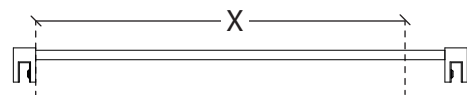
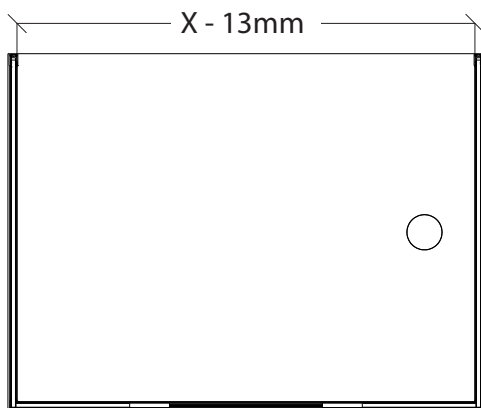
A1

Measure the distance from the inside face (wet side) of the Return Panel to the inside face of the opposite Return Panel. Ensure this measurement is truly horizontal.

A2

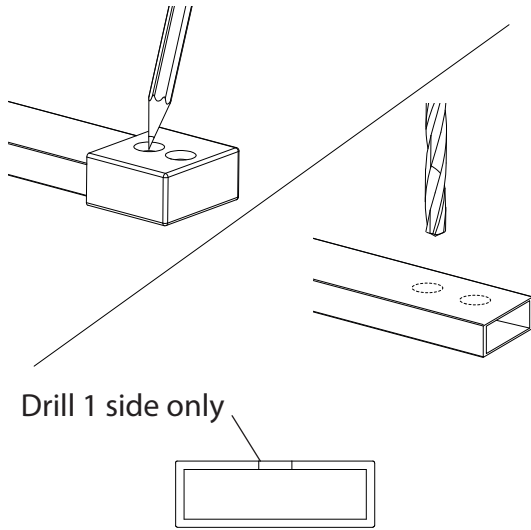
Mark the final dimension on the Stay Bar Tube, wrapped with some masking tape. Carefully use a chop saw and fine file to cut and finish the edge.

Subtract 13mm to get your final dimension.

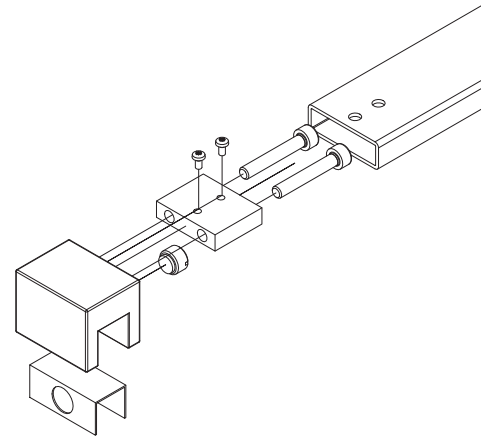


- A3 With masking tape applied, place the supplied Stay Bar Jig firmly on both ends of the Stay Bar and mark the 2 holes with a pen.

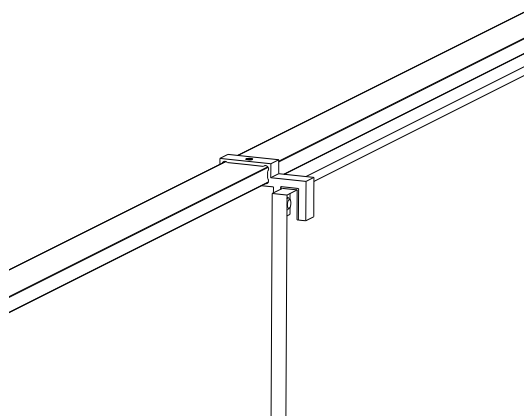
Drill holes using a 5mm drill bit.



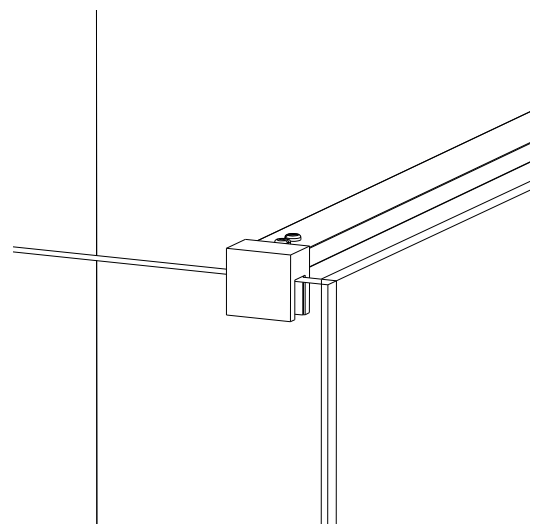
- A4 Assemble the Glass Clamp to the Stay Bar on both sides as shown.



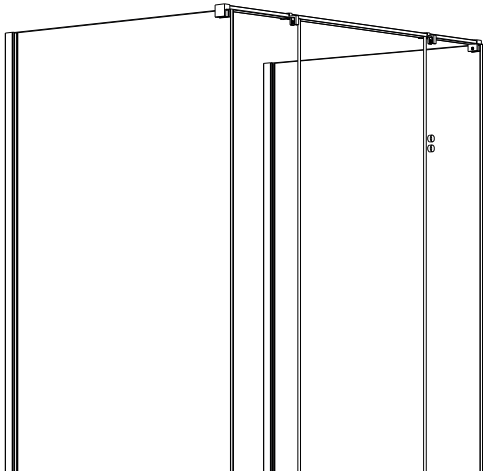
- A5 Secure the T Connector to the Inline Panel as shown.



- A6 Secure the Stay Bar to the Return Panels, ensuring the Glass is fully inserted into the Clamps.

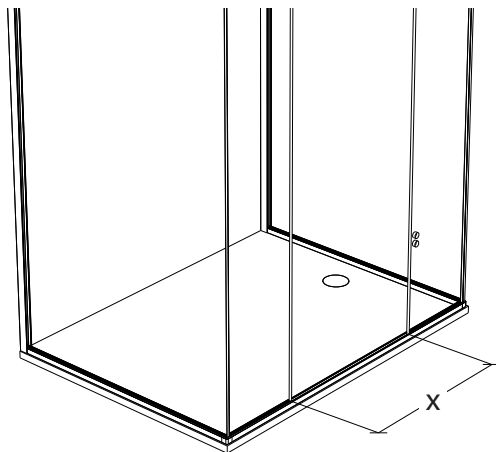


- A7 Ensure that the Stay Bar is fully assembled to the Enclosure as shown below.

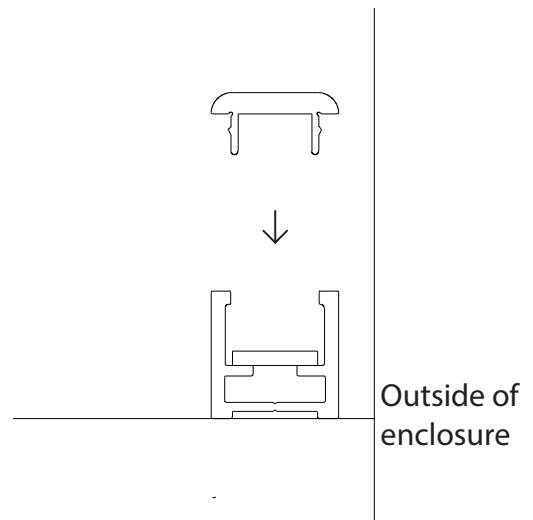


33 Measure the distance between the Inline Panels.

Mark and cut the Underframe Top.



34 Snap the Underframe Top on to the Underframe.



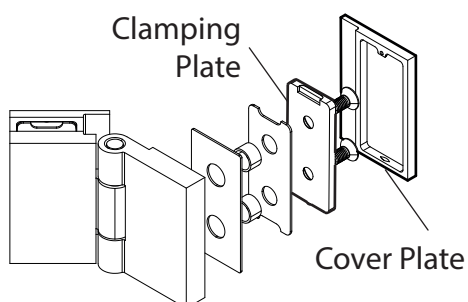
35 Attach the Glass to Glass Hinges in the direction your door will open and tighten to the Inline Panel.

Evenly tighten the screws until the Gaskets are just “nipping” the Glass.

Tighten all the screws to 15.6N.

Check the orientation of the Cover Plates. Adjust Clamping Plate to Suit.

DO NOT fit the Cover Plates yet.

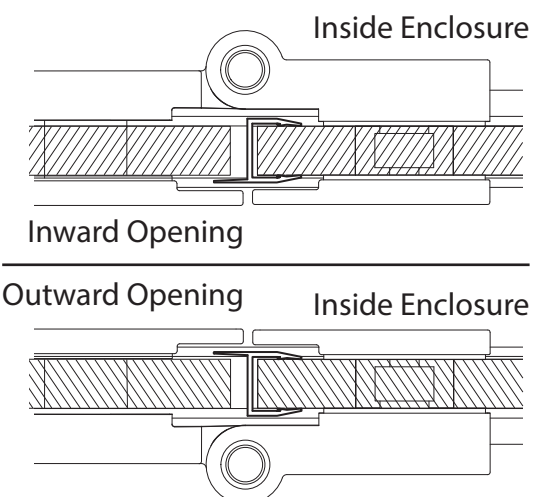


36 Attach the Glass to Glass seal to the Inline Panel.

Ensure a good seal along the edge of the door.

Check the orientation is correct.

Remove the seals after checking.

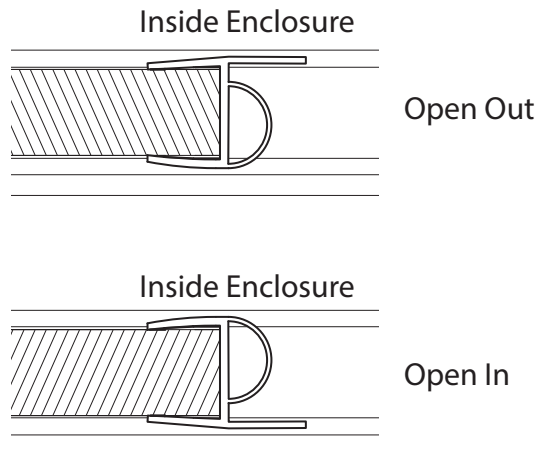


37

Attach the Glass to Glass Bubble “h” Seal to the Inline Panel.

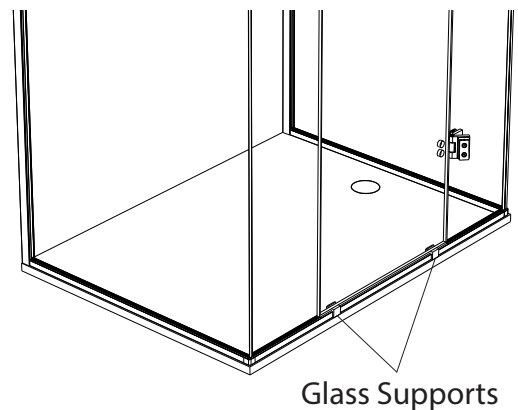
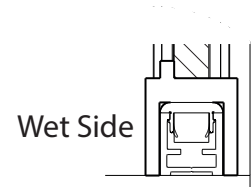
Check the orientation is correct.

Leave the seal oversized. This will be trimmed later.



38

Place the Glass Supports over the Underframe as shown. With one person inside the enclosure, position the Door onto the supports.

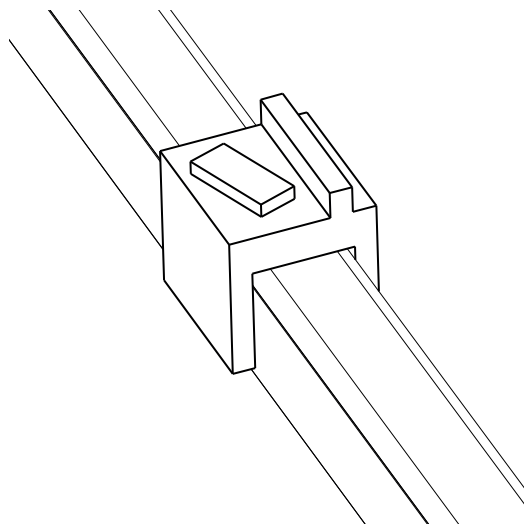


39

Add Spacers to the Glass Supports in order to level the Door.

With someone inside, carefully replace the Door onto the Supports.

Check all Panels are level and square and that the Seals touch fully.



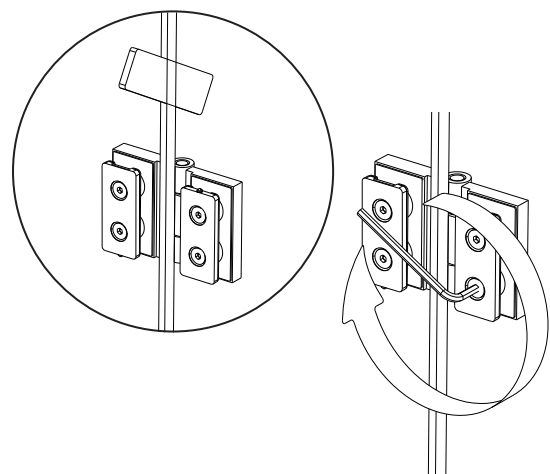
40

Attach the Glass to Glass Hinges to the door and tighten.

Use 5mm Packers in gap and evenly tighten the screws until the gaskets are just “nipped”.

Tighten all screws to 15.6N.

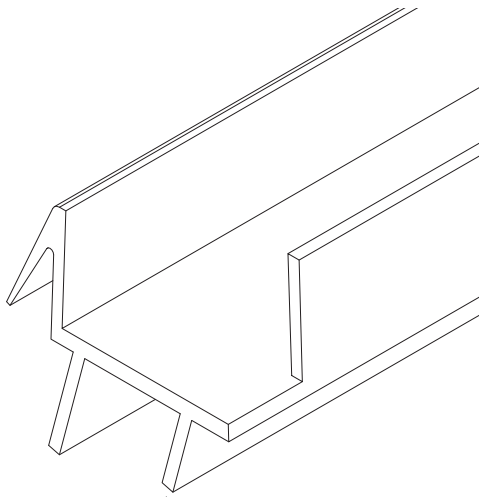
DO NOT fit the Cover Plates yet.



41

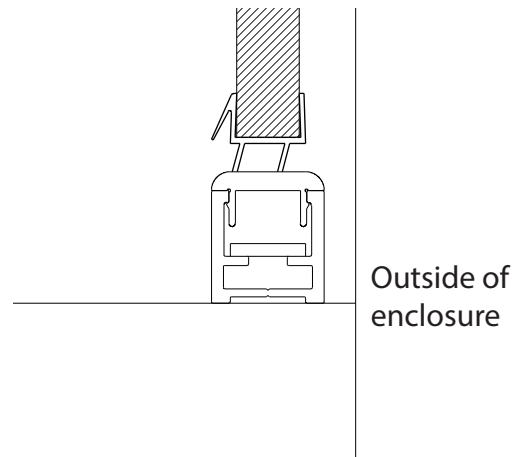
Measure the width of the Door (glass width). Cut the Bottom Door Seal accordingly.

Trim the outside edges on both ends to allow the two Vertical Seals to touch the Glass.



42

Attach the Seal ensuring the Seal is correctly oriented.

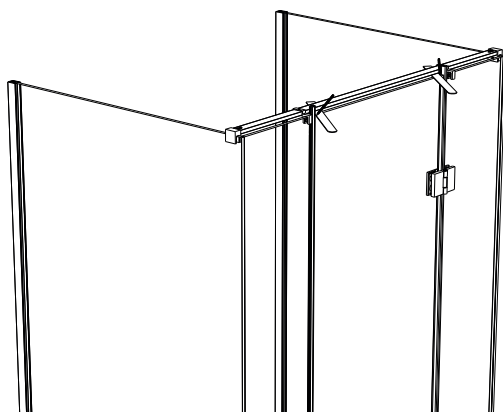


43

Push both Vertical Seals down as far as they can go.

With a straight edge, mark where the Seals will be trimmed. Remove the Seals and trim with a fine toothed junior hacksaw so they are flush with the tops of the Glass Panels.

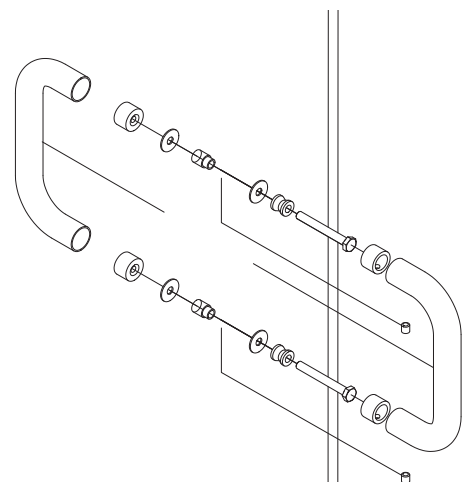
Replace the seals.



44

Attach the Handle if included. Secure in place with the grub screws provided.

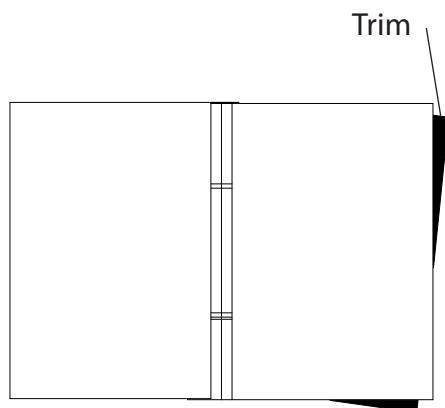
The Handle should be oriented so that the grub screws are not visible when looking down on the handle.



45

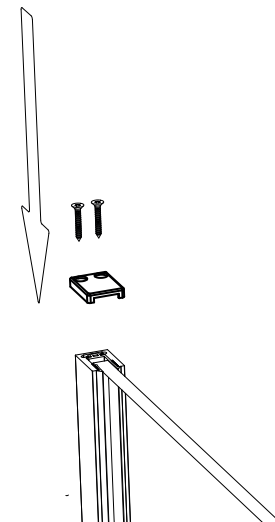
Using a sharp modelling knife, trim any excess gasket material from the Hinges that may have squeezed out when tightening.

Take care not to scratch the glass surface.



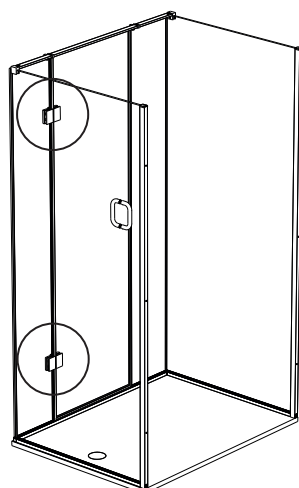
46

Apply the Wall Profile End Cap to the top of the Wall Profile and fix in place using self tapping screws.



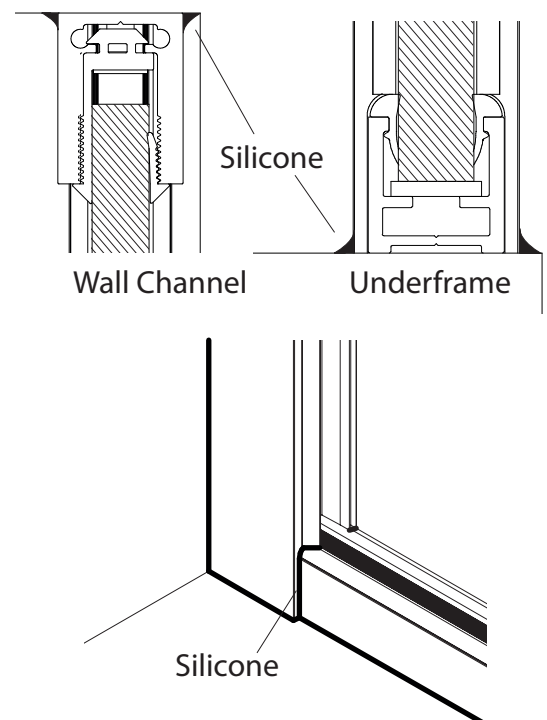
47

Tighten all screws.  
Fit all Cover Plates to the Hinges.



48

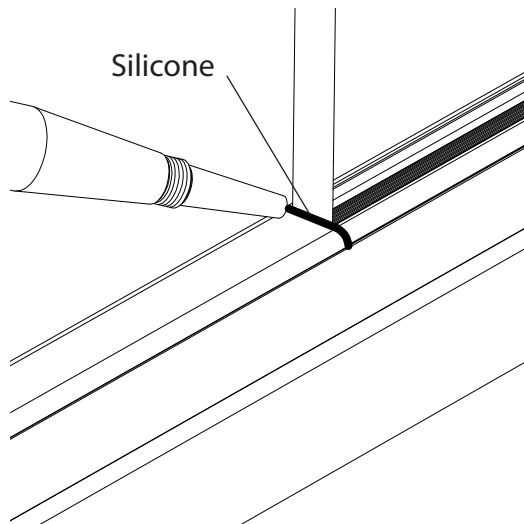
Apply silicone sealant along the wall and floor, all around the outside of the Underframe and Wall Profiles.



47

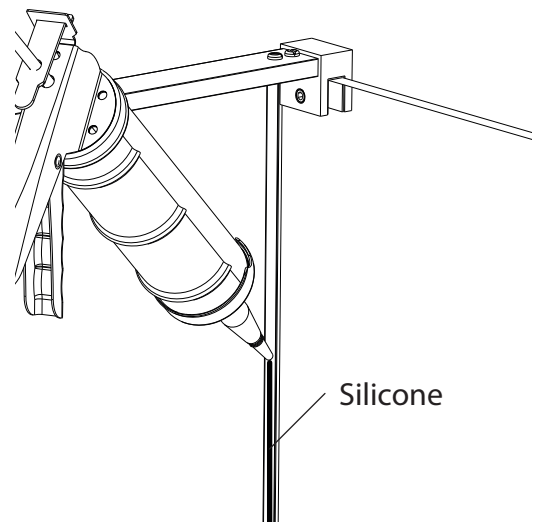
Install and trim the Underframe wedge gaskets.

Apply silicone to the edge of the Underframe Top where it meets the Inline Panels.



48

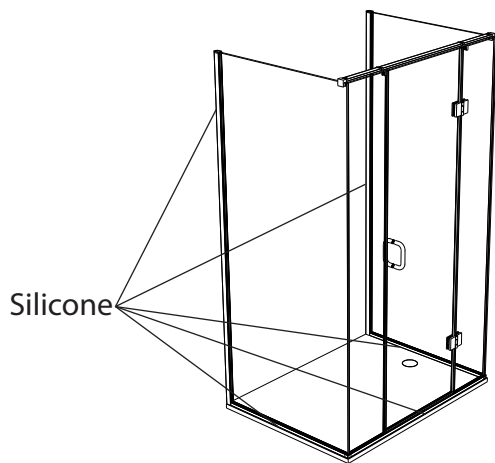
Apply silicone sealant along the inside of the Enclosure where the Inline Panels meets the Return Panels.





49

Check silicone has been applied to all the below outside areas.



50

Check silicone has been applied to all the below inside areas.

Let the silicone sealant cure for 24 hours.

