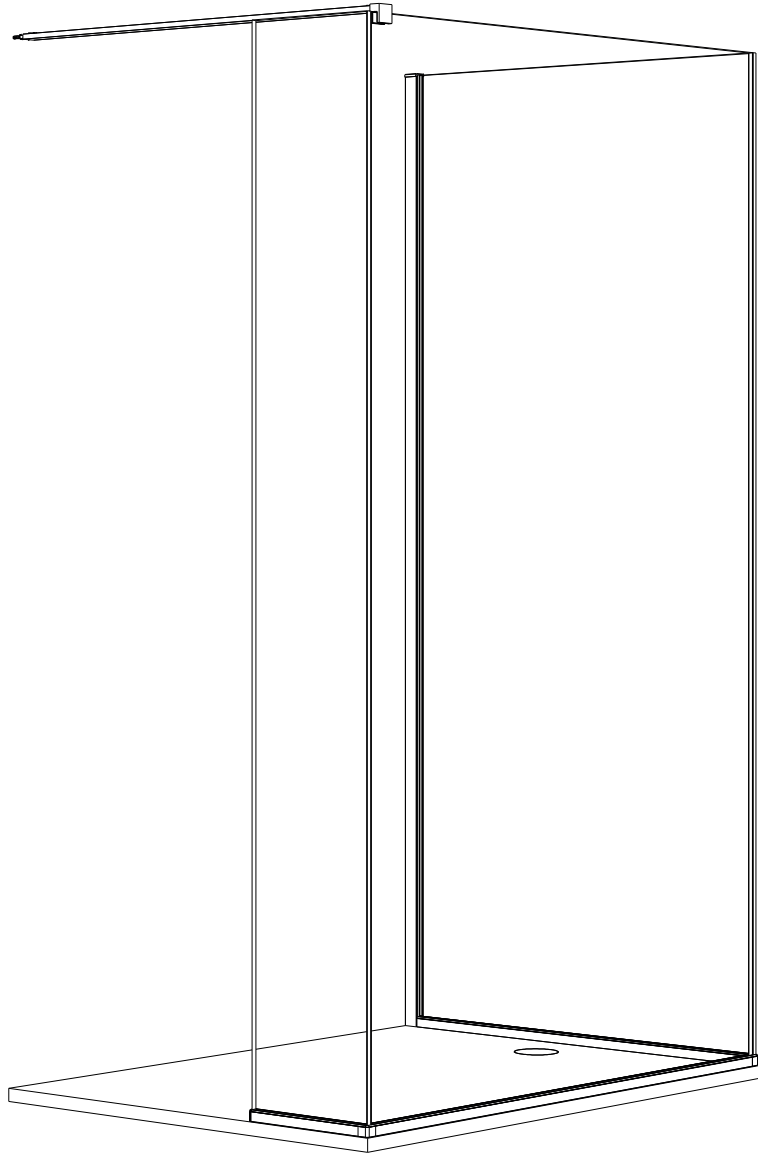


THE SHOWER LAB



VIEW 19.3F



Illustration - View 19.3F
SB1 Stay Bar

IMPORTANT

- This shower screen / enclosure must be installed by suitably qualified individuals. We recommend a minimum of two people for safe assembly of certain sections of this screen.
- Ensure all appropriate safety equipment, especially protective footwear, safety glasses and gloves are used.
- When drilling holes in ceramic tiles, use masking tape to prevent the drill from slipping: DO NOT use hammer action as this will crack the tiles. Use a high quality drill bit to ensure a clean, precise hole.
- Tighten hinges and brackets to the recommended **15.6N**.
- Please leave these instructions with the customer following installation.

PRIOR TO INSTALLATION

- Before disposing of the packaging and prior to commencing assembly, please check all the components to ensure that they have been supplied correctly and are undamaged. Subsequent claims for missing or damaged pieces will not be accepted once the packaging has been disposed of and installation commenced.
- In the event of any queries please contact your supplier quoting the relevant model information.
- The Tray / Tiled floor on which this screen is to be installed must be level on all sides.
- It may be necessary to use alternate fixings to those supplied, depending on the properties of the walls to be fixed to.
- Use the protective corners supplied at all times until the glass is moved to its final position.
- Ensure that the glass is installed correctly, taking care to avoid installing the glass upside down. On certain panels an easy clean coating is applied to one side only, this is clearly marked with a sticker on the non-coated side. The coated surface is to be fitted inwards towards the inside (wet side) of the screen.
- Ensure that all surfaces to be sealed are clean and dry prior to applying the silicone sealant. Use a high grade fungal resistant sealant.
- Allow a minimum of 24 hours after application of the silicone sealant prior to using the screen.

TOOLS & MATERIALS REQUIRED

Junior Hacksaw	Modelling Knife	High Quality Silicone Sealant
Straight Edge (Steel Rule)	Spirit Level	Digital Torque Wrench
Fine Tooth File	Pencil	Tape Measure
Set or Roofing Square	Silicone Gun	Pozi-drive
Masking Tape	Power Drill	Screwdrivers, PZ1&2
	Ø6mm Masonry Drill Bit	Safety Glasses and
	2x Suction Glass Lifters	Gloves

CARE AND MAINTENANCE

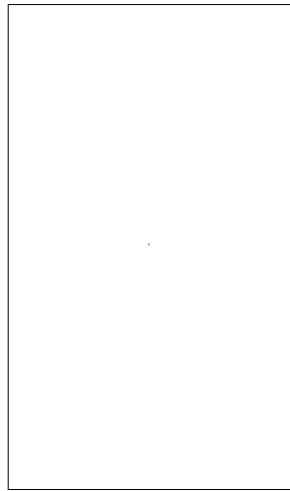
(please ensure that these instructions are left with the installed unit)

- We recommend routine cleaning of your screen / enclosure with hot water using a soft cloth, then drying with a dry soft cloth or chamois leather.
Ritec Aftercare for Shower Glass is recommended for best results.
- All glass has been treated with EASY CLEAN glass finish and care must be taken to avoid any abrasive cleaning products that may damage the special surface protection.
- DO NOT use acidic based de-scaler products or products containing bleaches or solvents.

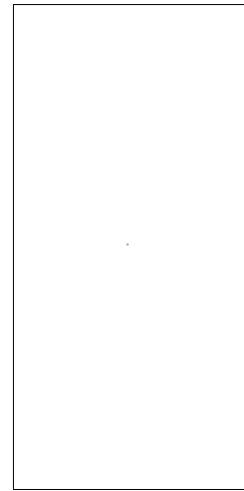
Supplied Parts



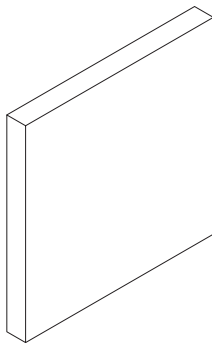
Return Panel
x1



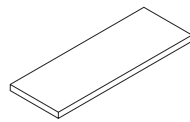
Glass Panel
x1



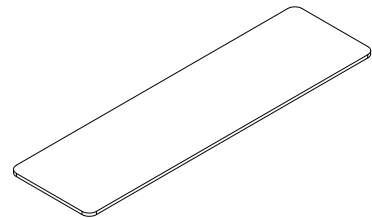
Return Panel
x1



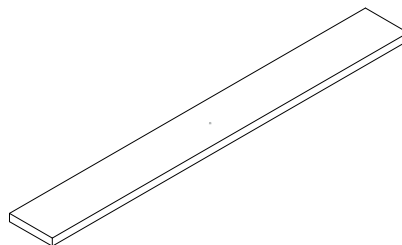
Nylon Block
x1



Spacers

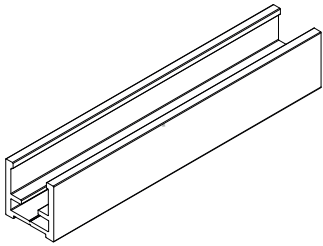


Packers

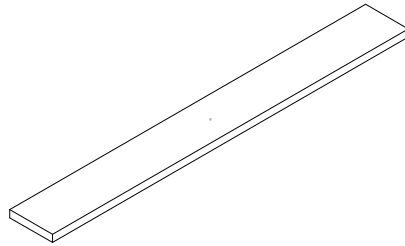


Glass to Glass Adhesive Gasket
x2

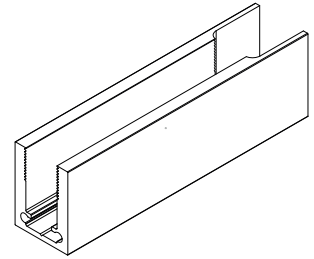
Supplied Parts



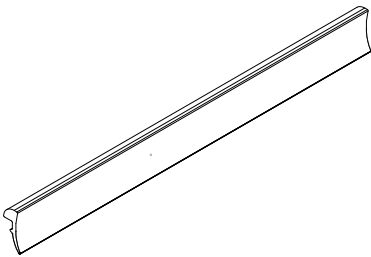
Underframe
x3



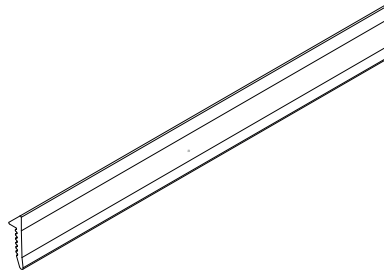
Underframe Gasket
x3



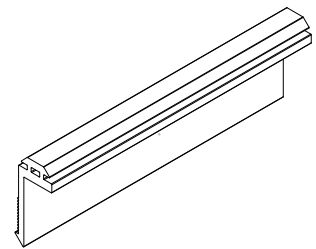
Wall Profile
x1



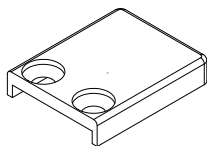
Underframe Wedge Gasket
x2



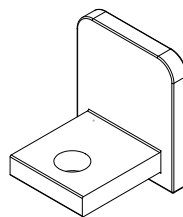
Wall Profile Rigid Seal
x1



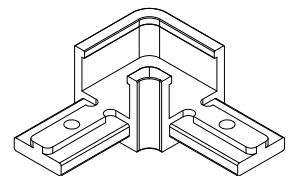
Wall Profile Soft Seal
x1



Wall Profile End Cap
x1



Underframe End Cap
x1

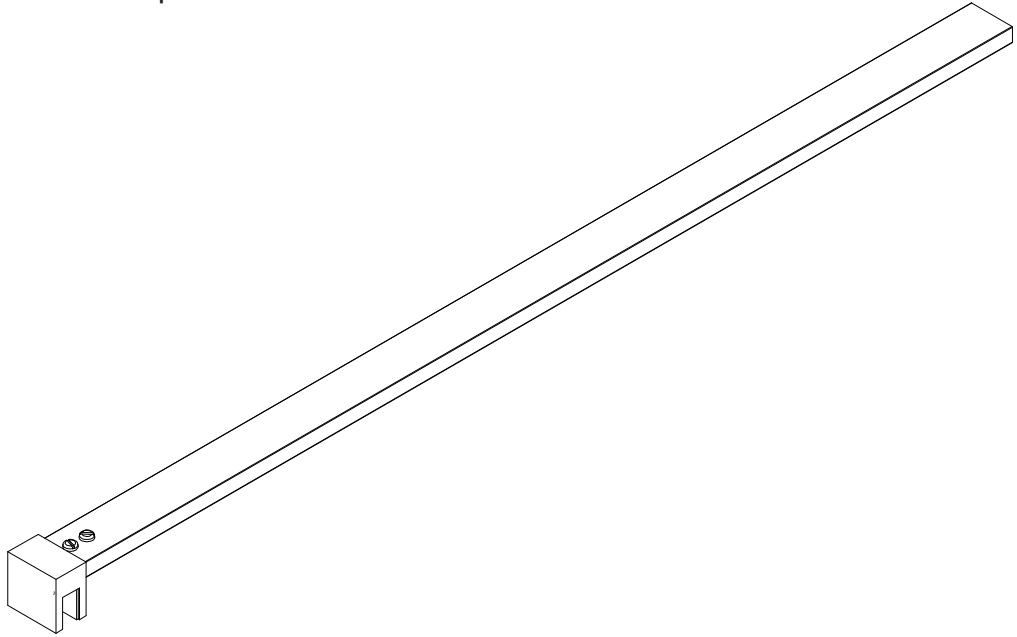


Underframe 90° Connector
x2

Supplied Parts

Please use this page to find which stay bar your enclosure has been supplied with.

SB1 - With Glass Clamp

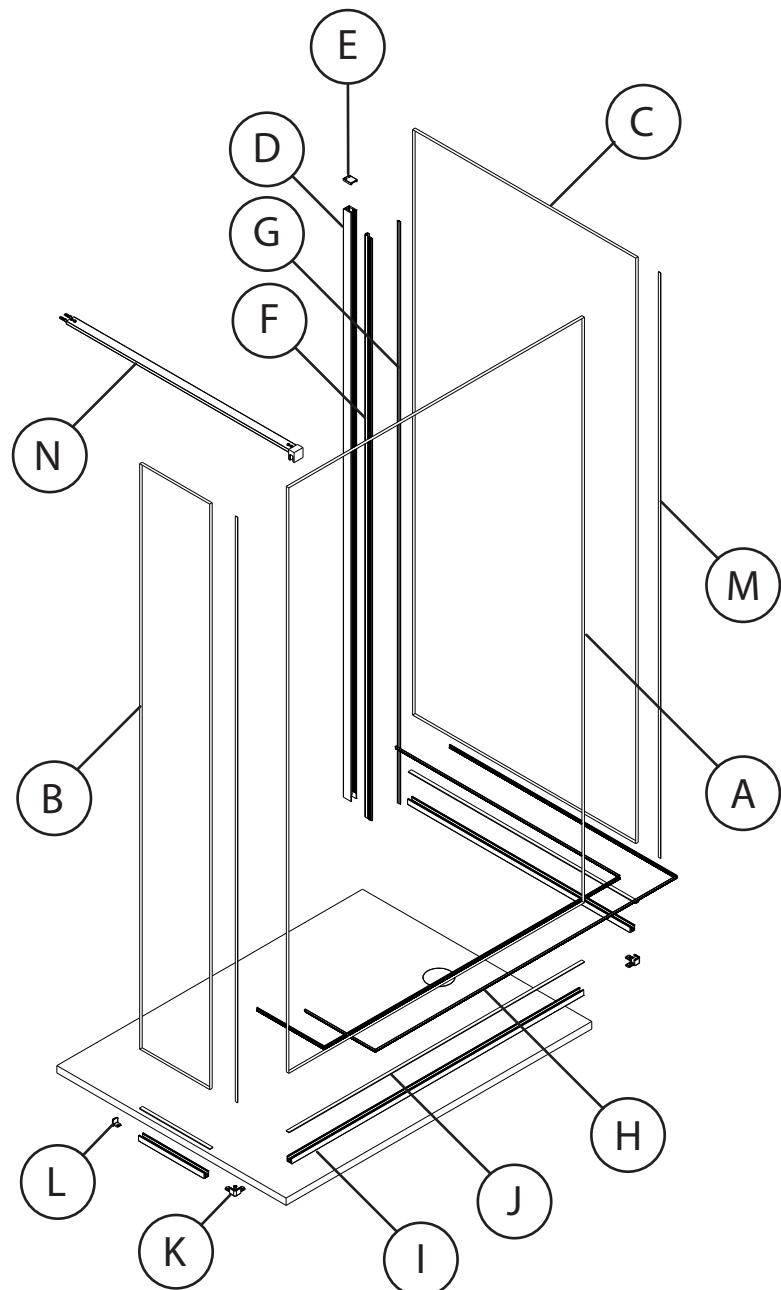


These instructions are for the View 19.3F. An SB1 Stay Bar is used for this illustration.

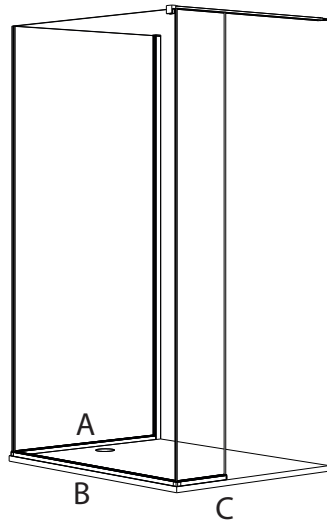
The following instructions are valid for both the 20mm and 30mm profiles. The 30mm profile is used in the following instructions.

Please use the below diagram to reference the list of parts.

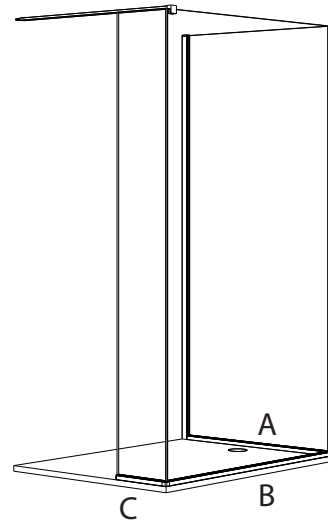
- (A) Inline Panel
- (B) Return Panel
- (C) Wall Side Return Panel
- (D) Wall Profile
- (E) Wall Profile End Cap
- (F) Wall Profile Soft Seal
- (G) Wall Profile Rigid Seal
- (H) Underframe Wedge Gasket
- (I) Underframe
- (J) Underframe Gasket
- (K) Underframe 90° Connector
- (L) Underframe End Cap
- (M) Glass Adhesive Tape
- (N) Stay Bar (SB1 Shown)



LH



RH



Dimensions to OUTSIDE of Wall Profile - See spec below

STANDARD ENCLOSURES - 30mm (CH30) Wall Profile

Code	Width	Height	<input checked="" type="checkbox"/>
PANEL A V467P	482-496	2000	<input type="checkbox"/>
V567P	582-596	2000	<input type="checkbox"/>
V667P	682-696	2000	<input type="checkbox"/>
V718R	733-747	2000	<input type="checkbox"/>
V758R	773-787	2000	<input type="checkbox"/>
V767P	782-796	2000	<input type="checkbox"/>
V858R	873-887	2000	<input type="checkbox"/>
V867P	882-896	2000	<input type="checkbox"/>
V958R	973-987	2000	<input type="checkbox"/>
V967P	982-996	2000	<input type="checkbox"/>
V1067P	1082-1096	2000	<input type="checkbox"/>
V1158R	1173-1187	2000	<input type="checkbox"/>
V1167P	1182-1196	2000	<input type="checkbox"/>

Code	Width	Height	<input checked="" type="checkbox"/>
PANEL B V467P	491	2000	<input type="checkbox"/>
V567P	591	2000	<input type="checkbox"/>
V667P	691	2000	<input type="checkbox"/>
V767P	791	2000	<input type="checkbox"/>
V867P	891	2000	<input type="checkbox"/>
V967P	991	2000	<input type="checkbox"/>
V1067P	1091	2000	<input type="checkbox"/>
V1167P	1191	2000	<input type="checkbox"/>
PANEL C V167P	187	2000	<input type="checkbox"/>
V267P	287	2000	<input type="checkbox"/>
V367P	387	2000	<input type="checkbox"/>
V467P	487	2000	<input type="checkbox"/>
V567P	587	2000	<input type="checkbox"/>
V667P	687	2000	<input type="checkbox"/>

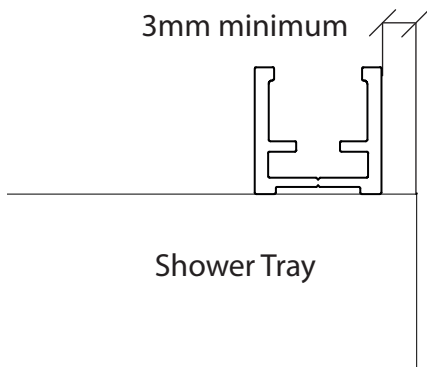
BESPOKE ENCLOSURES - 30mm (CH30)/ 20mm (CH20) Wall Profiles

If you have a Bespoke Enclosure, reference the Install Sheet for the panel specifications of the Enclosure.
CH30 - Bespoke Panel A Width: Panel A + 14 = Minimum Width + 14 = Maximum Width
CH20 - Bespoke Panel A Width: Panel A + 14 = Minimum Width + 4 = Maximum Width
Bespoke Panel B Width: Panel B + 24 = Width (Including 3mm Wall Profile Overlap)
Bespoke Panel C Width: Panel C + 20 = Width

01 Position the Underframe parallel to tray edge. If using a raised shower tray, leave a minimum 3mm gap from the edge of the tray (5mm is recommended).

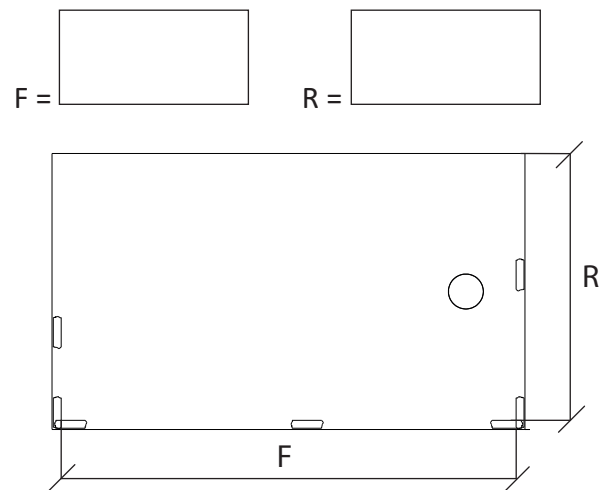
Use tape to mark this dimension.

Repeat for the Return Underframe Profiles.

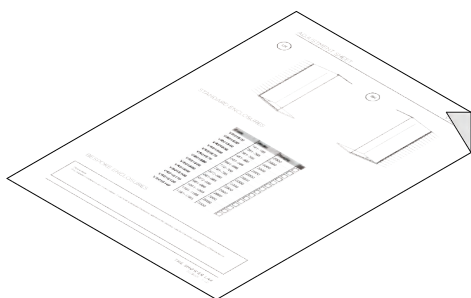


02 Measure the distance from the tape edge to the tiling and take note of this distance.

Repeat for the Return Underframe that sits against the wall.

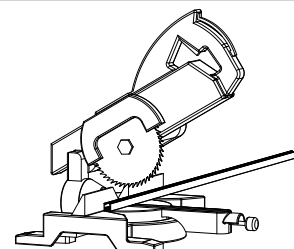
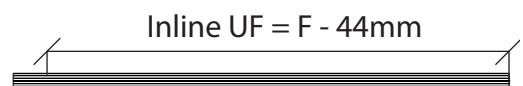
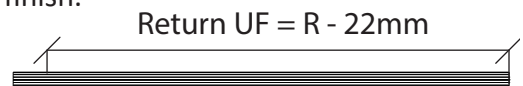


03 Check the dimensions are within the allowed adjustments by referencing the attached adjustment sheet.

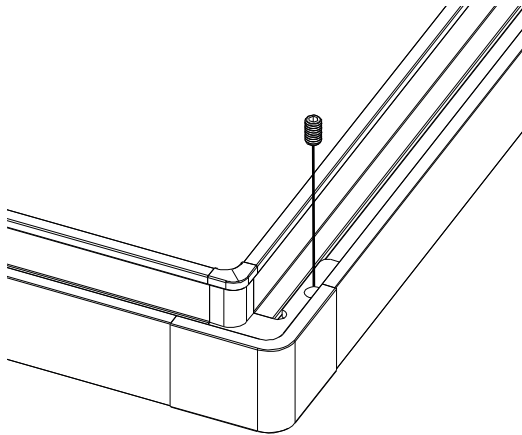


04 Subtract 44mm from the Front Underframe dimension and 22mm from Wall Profile side Return Underframe dimension. This is the profile width. Mark this measurement on the Underframe.

Cut squarely using a chop saw. Use a fine toothed file to remove any burrs, be careful not to damage the surface finish.

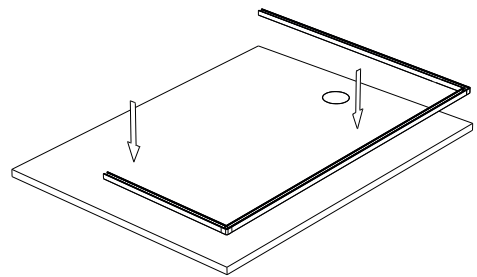


- 05 Connect the Underframe Profiles together using the Underframe 90° Connector and supplied screws.

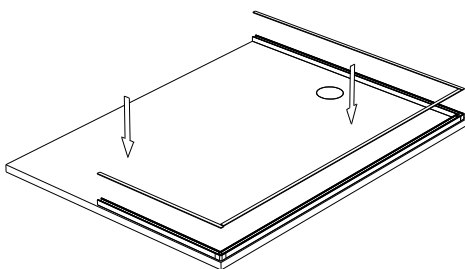


- 06 Temporarily fix the Underframe into the correct position using double sided tape. Push firmly into position and ensure that the Underframe is firmly against the wall where the channel will be fixed to.

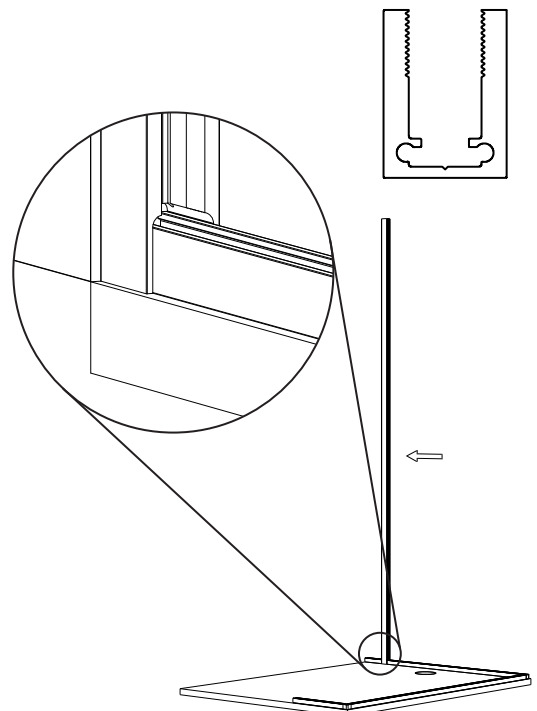
DO NOT use the existing tape. This tape is for final positioning of Underframe.



- 07 Place the Underframe Gaskets where the glass will sit into the Underframe and butt up against the wall.



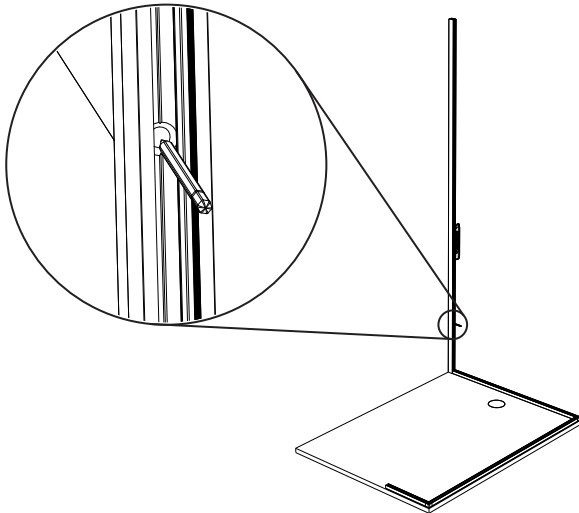
- 08 Place the Wall Profile over the Underframe and up against the wall.



09 Ensure the Wall Profile is vertical by using a spirit level. Mark the positions of the pre-drilled holes.

10 Remove the Wall Profile and drill holes with a 6mm high quality drill bit for a clean and precise hole.

Fully insert the wall plugs.



Professional Tip
If drilling ceramic tiles, place masking tape on the tiles before marking and drill through the tape to prevent the drill bit from skidding.

DO NOT use Hammer Action as this will break the tiles.



11 Pre drill the No 6 screws in to the Wall Profile to create the thread for the Top Cap, then REMOVE screws.

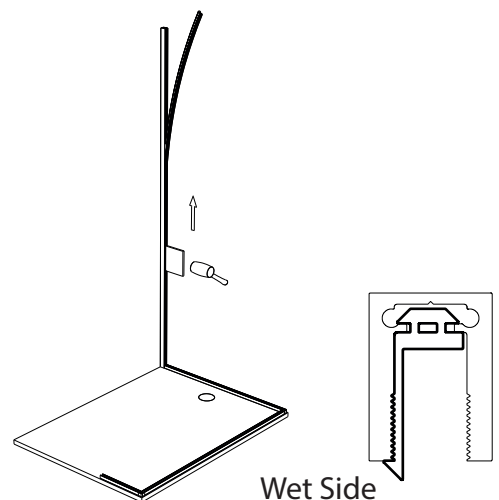
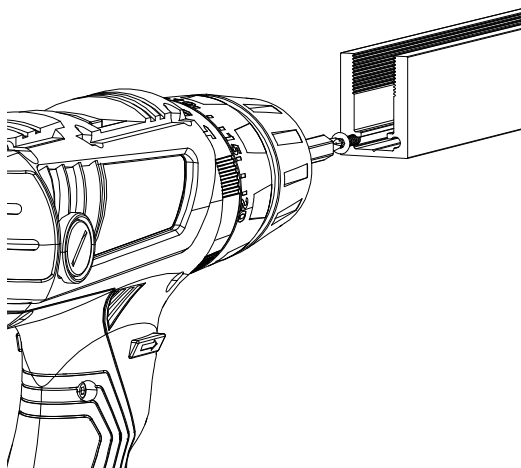
12 Take the Wall Profile Soft Seal and push the seal into place on the Wall Profile to cover the screws.

Fix the Wall Profiles to the wall using the No 8 screws.

Ensure the fin is on the inside (wet side).

Use the Nylon Block to help.

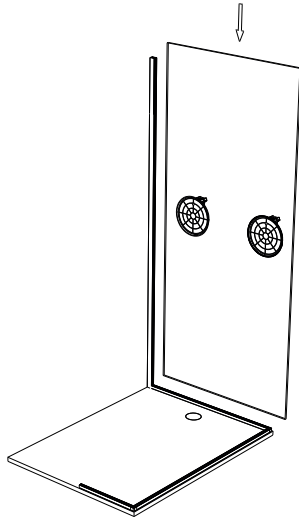
-  (No 8) Profile - Wall
-  (No 6) Profile - Top Cap



13

Using purpose built "Glass Lifters", position and sit the Return Glass Panel on to the Underframe Gasket and push against the Wall Profile.

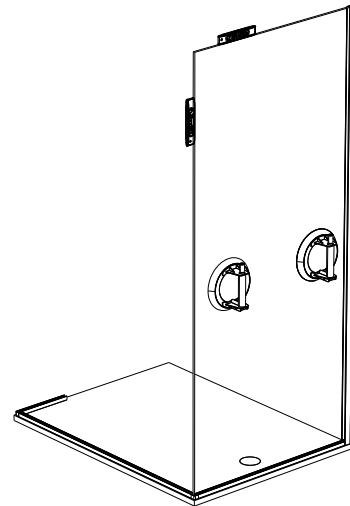
Note the orientation and position of the Panel, this can be determined by any holes or attached labels.



14

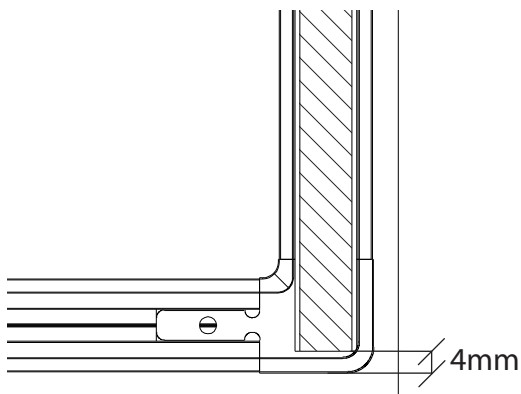
Remove and replace the Panel adding or subtracting spacers as necessary to level the Panel (to a maximum height of 5mm inside the Underframe).

Check the Panel is level using a Spirit Level.



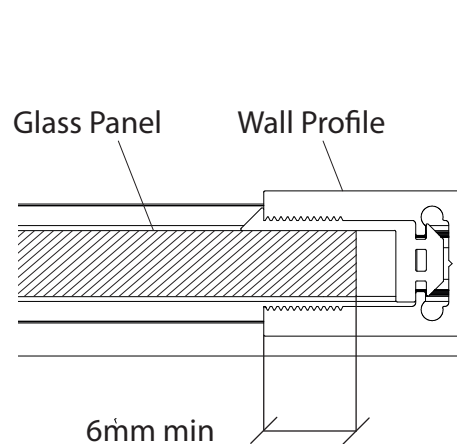
15

Align the Inline Panel so there is a 4mm gap between the Panel and the front face of the Inline Underframe.



16

Ensure there is adequate glass in the Wall Profile. (6mm minimum)

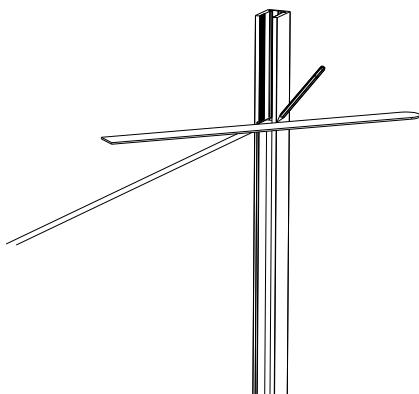


17

If the Wall Profile is flush with the Glass Panel, move on to step 18.

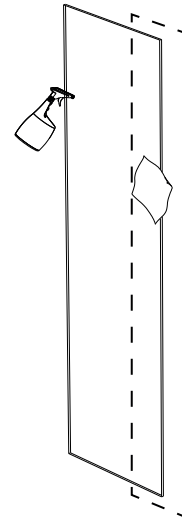
If the Wall Profile is not flush with the top of the Glass Panel, mark the Wall Profile. Using a straight edge, mark where the wall channel needs to be trimmed.

To protect the channel finish, it is recommended to mark on masking tape.



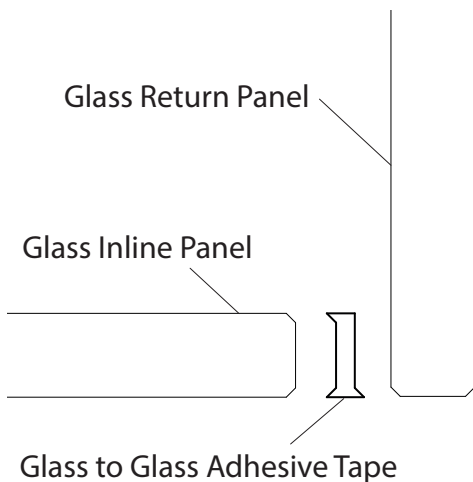
18

Clean the edges of the Glass Inline Panel and Return Panels where the Glass to Glass Adhesive Tape will be applied.



19

Before Installing the Glass to Glass Adhesive Tape, ensure that the Tape is orientated and positioned correctly on the Glass Inline Panel as shown below.

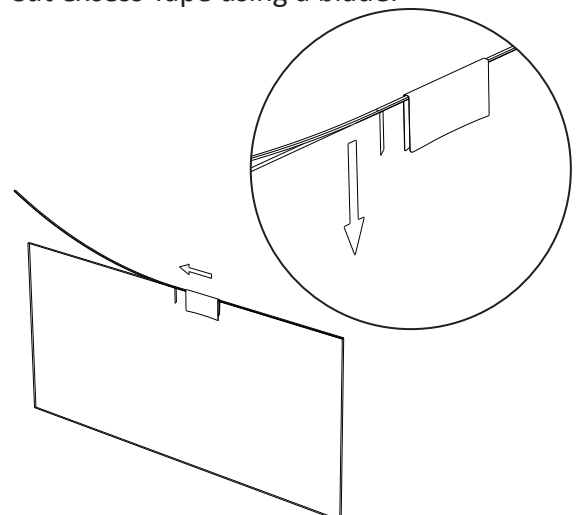


20

Position the Glass to Glass Adhesive tape on the correct edge of the Inline Panel. Using a cloth or towel, apply the Tape to the Panel.

Peel back the protective adhesive strip while firmly applying the Tape.

Cut excess Tape using a blade.



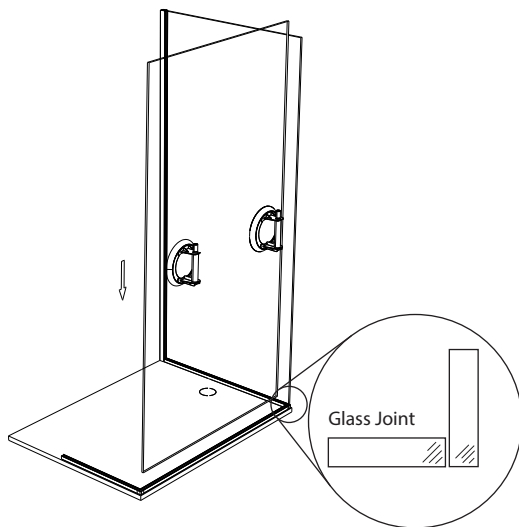
21

Using purpose built "Glass Lifters", carefully place the Inline Panel on to the Underframe Gasket and push against the Return Panel.

Note the orientation and position of the Panel, this can be determined by any holes or attached labels.



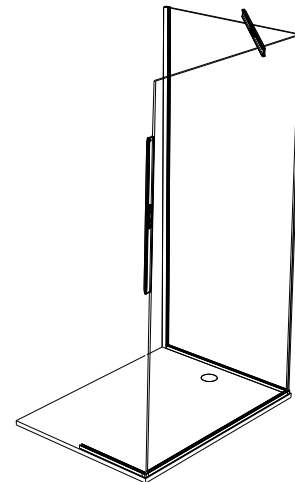
WARNING: Do not fix the glass panels together, this will be later.



22

Remove and replace the Panel adding or subtracting spacers as necessary to level the Panel (to a maximum height of 5mm inside the Underframe).

Check the Panel is level using a Spirit Level. If the difference between the two Panels is greater than 5mm, it may be necessary to lower the Return Panel.

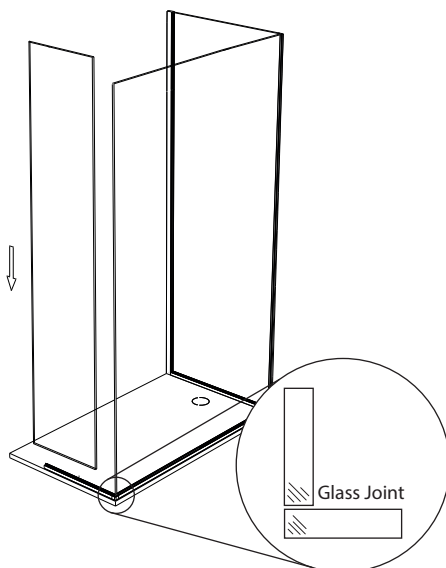


23

Using purpose built "Glass Lifters", position and sit the Glass Return Panel on to the Underframe Gasket and push against the Inline Panel.



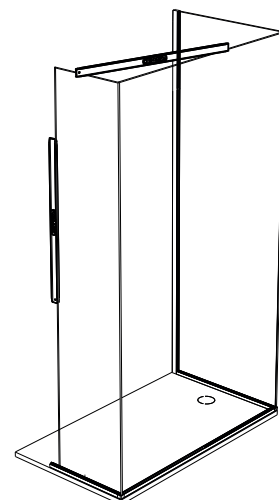
WARNING: Do not fix the glass panels together, this will be later.



24

Remove and replace the Panel adding or subtracting spacers as necessary to level the Panel (to a maximum height of 5mm inside the Underframe).

Check the Panel is level using a Spirit Level. If the difference between the two Panels is greater than 5mm, it may be necessary to lower the Return Panel.

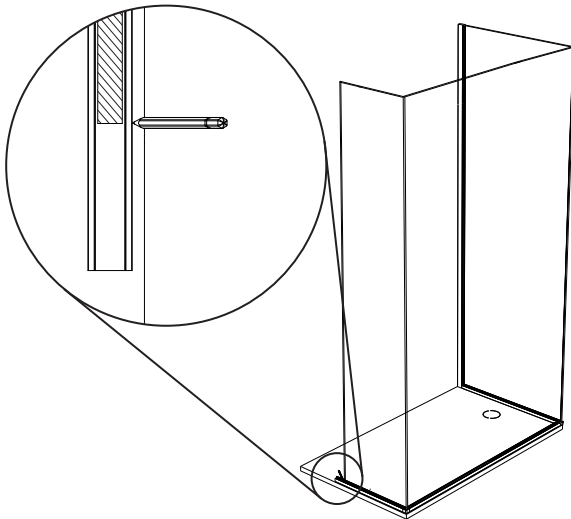


25

Mark/scribe the Underframe.

DO NOT trim the Profile at this stage.

Carefully lift the Glass Panels out and put to one side. Remove the Wall Profile and Underframe system.

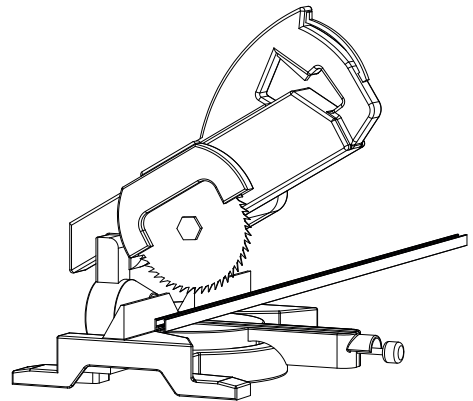


26

Trim the Underframe profile using a chop saw.

If necessary, trim the Wall Profile on the opposite side of the archway and repeat step 11 to pre drill the Wall Profile.

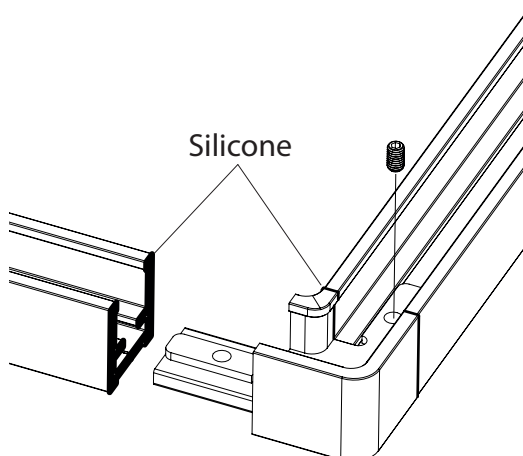
Use a fine file to remove any burrs. Be careful not to damage the channel finish.



27

Connect the Underframe Profiles together using the Underframe 90° Connector and supplied screws.

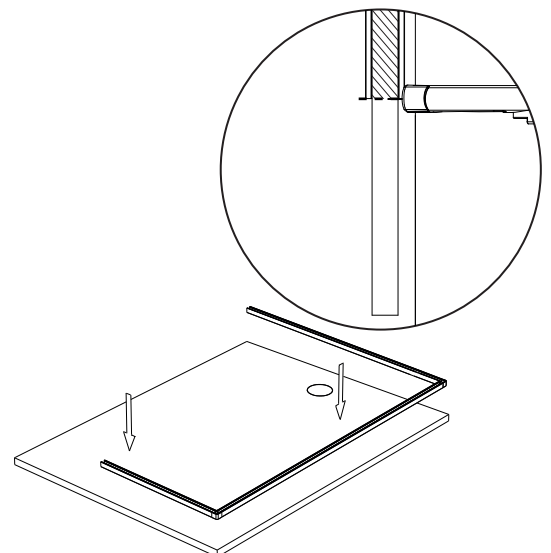
Add a small amount of silicone to the ends of the Underframe before connecting.



28

Remove all tape from the underside of the Underframe. Carefully place the Underframe back into position. Ensure that the trimmed end is butted up against the wall.

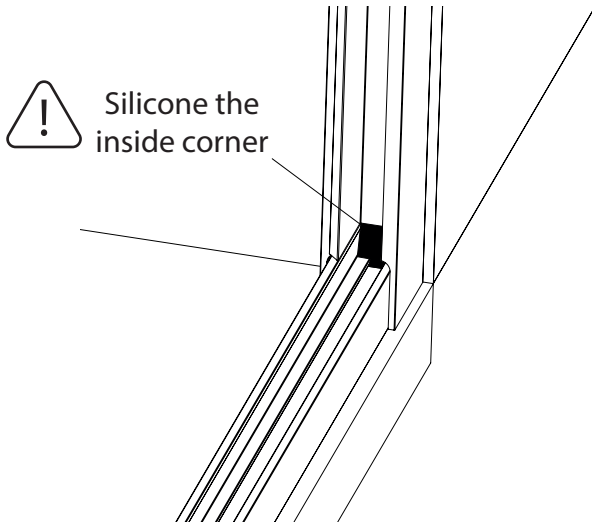
Place the Underframe Gasket back into the Underframe. Trim excess Gasket.



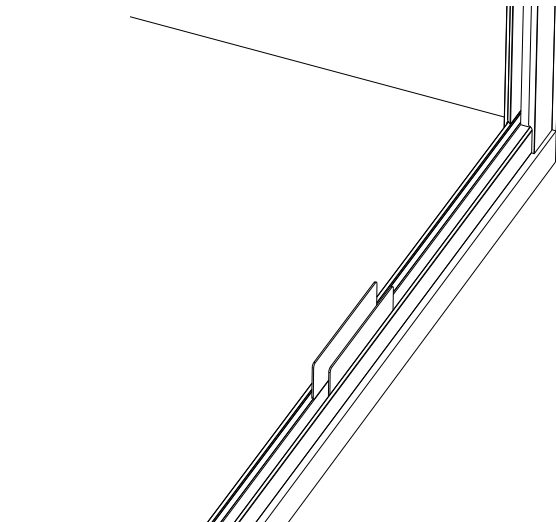
29 Reinstall the Wall Profiles and Wall Profile Soft Seals.

! Add silicone in the corner where the Wall profile Meets the Underframe at the back.

Re-install the Glass.

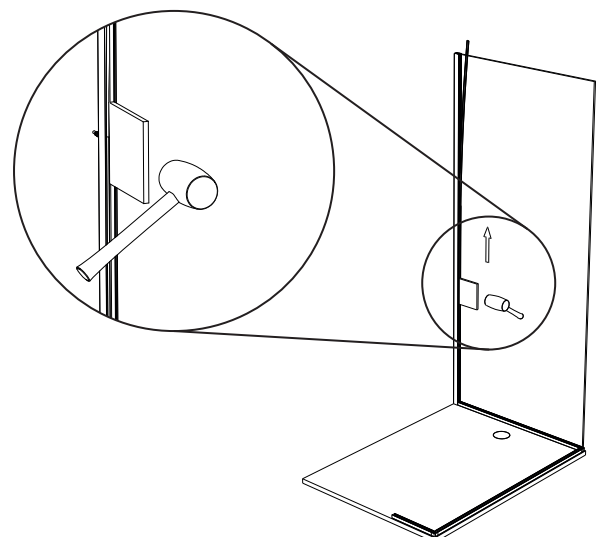
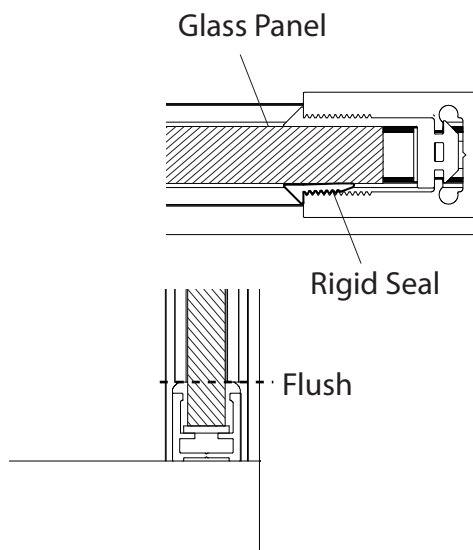


30 To centre the Return Panel, add 1mm Packers on both sides of the Return Panel in the Underframe.

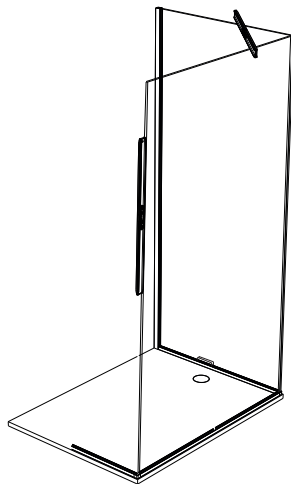


31 Apply the Rigid Seal to the dry side of the Wall Profile starting from the archway of the Wall Profile up to the top.

32 Gently tap the Wall Profile Rigid Seal into place using a rubber mallet with the Nylon Block to protect the Glass and the Wall Profile.



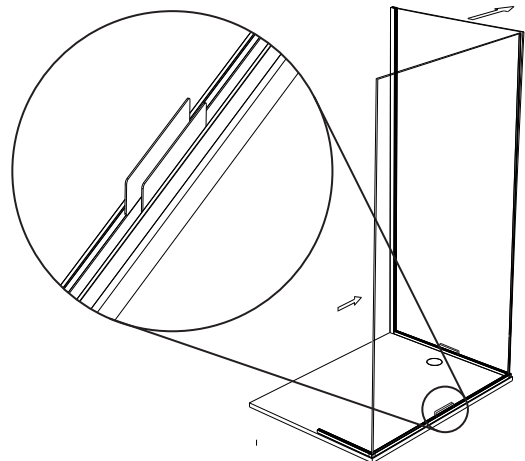
33 Repeat step 21 and 22 to reinstall and level the Glass Inline Panel.



34 Pull Inline Panel away from the Return Panel. Add 1mm Packers to both sides of Inline Panel in the Underframe.

Remove the protective adhesive strip from the Tape. Gently push the top of Return Panel away from Inline Panel.

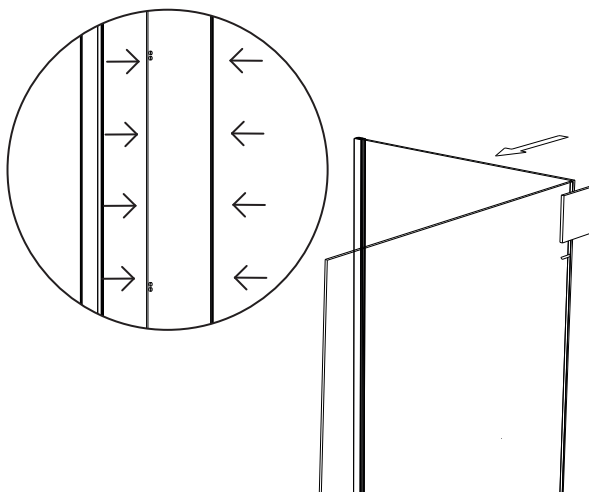
From the bottom, push the Inline Panel towards the Return Panel.



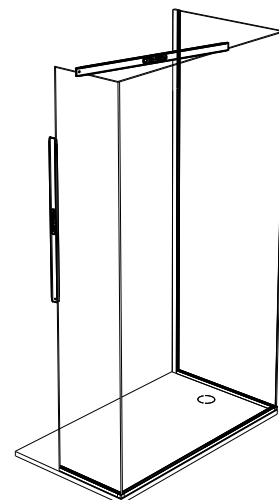
35 Start to pull the Return Panel back when approaching the top.

Use the Nylon Block to ensure that the Inline Panel is level with the edge of the Return Panel.

Ensure the two panels are firmly fixed together and remove Inline Packers.



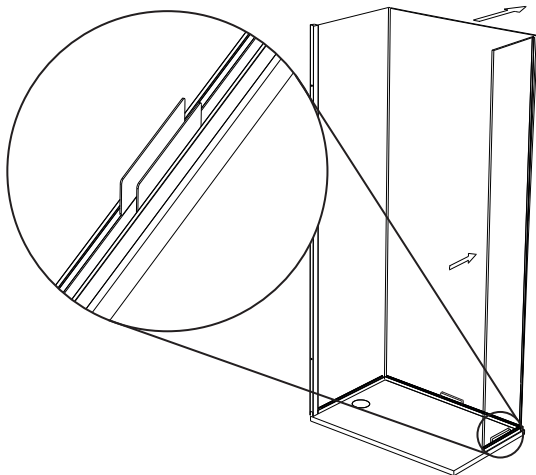
36 Repeat step 23 and 24 to reinstall and level the Glass Return Panel.



37 Pull Return Panel away from the Inline Panel. Add 1mm Packers to both sides of Return Panel in the Underframe.

Remove the protective adhesive strip from the Tape. Gently push the top of Inline Panel away from Return Panel.

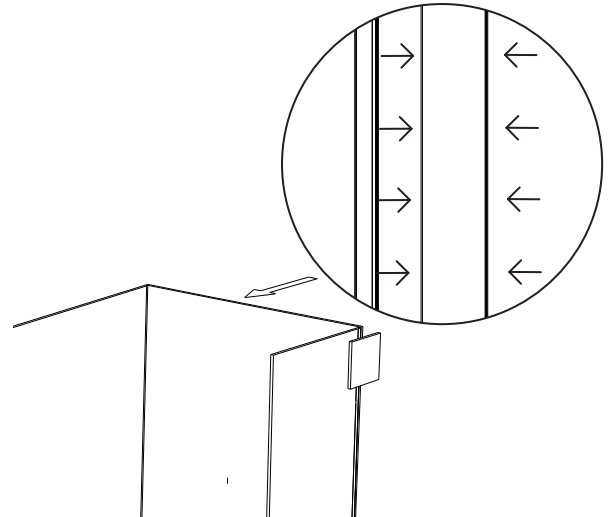
From the bottom, push the Return Panel towards the Inline Panel.



38 Start to pull the Inline Panel back when approaching the top.

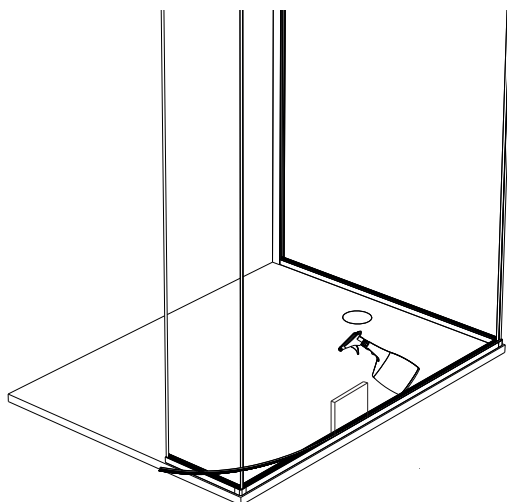
Use the Nylon Block to ensure that the Return Panel is level with the edge of the Inline Panel.

Ensure the two panels are firmly fixed together and remove Inline Packers.

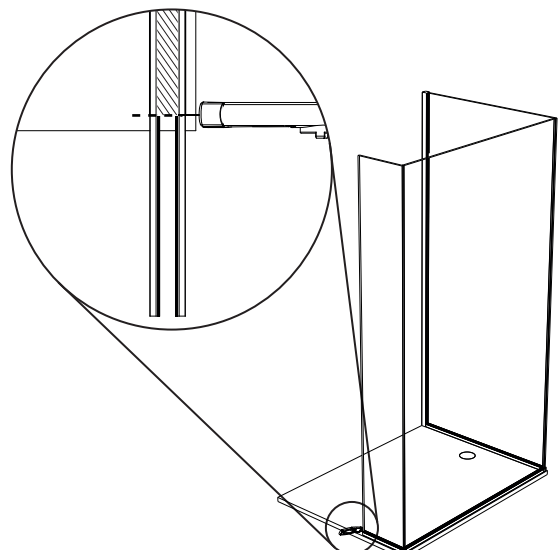


39 Remove Packers and feed the Wedge Gasket into the archway gap and trace along the Glass on both sides.

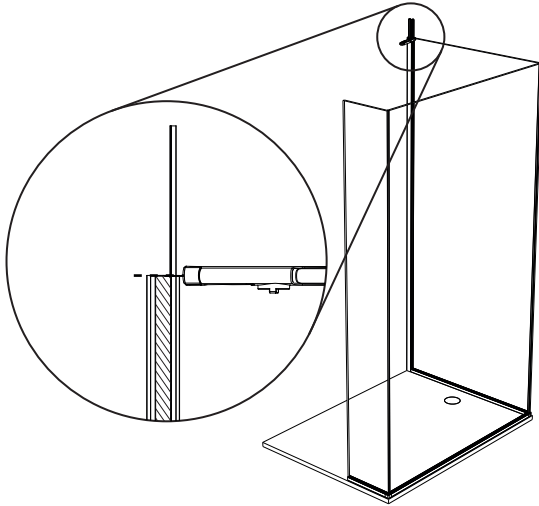
Spray water on Glass Panel and use Nylon Block to help feed Gasket.

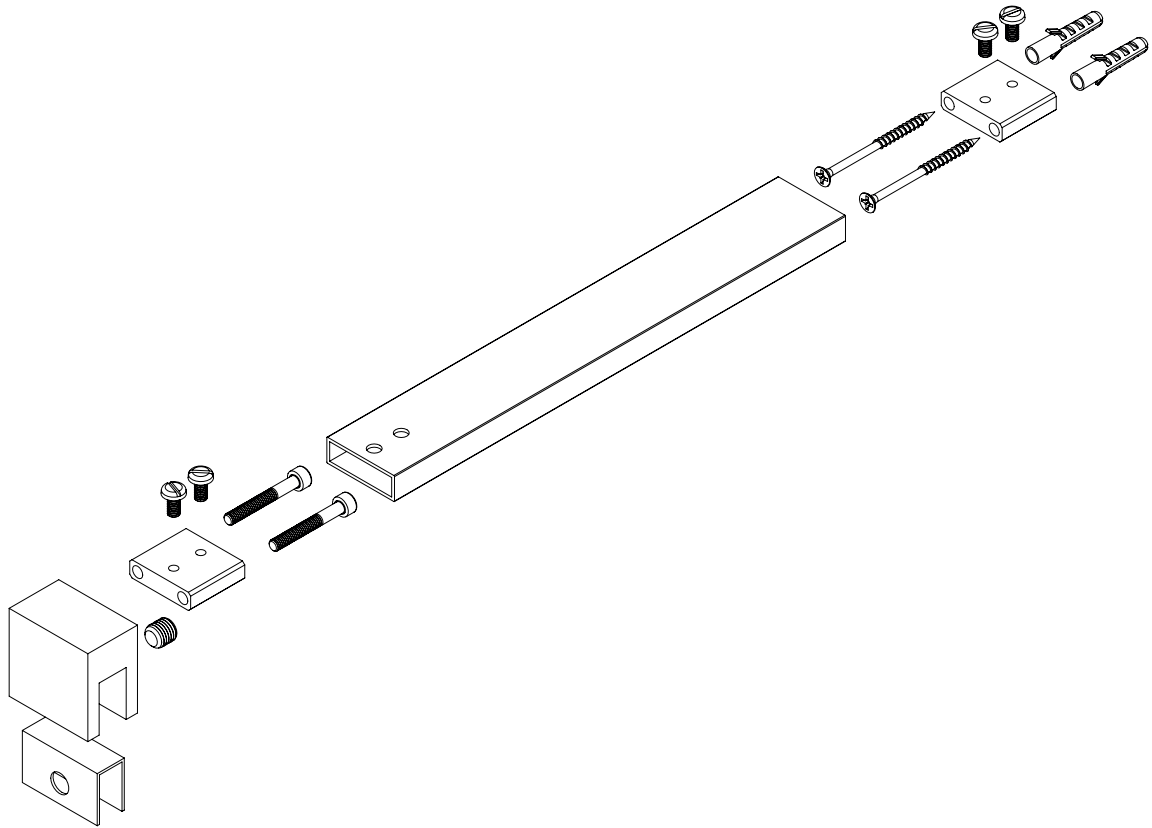


40 Trim both Underframe Gasket Seals as close to the edge as possible using a blade.



- 41 Trim both of the Wall Profile seals at the top face of the Wall Profile using a blade.





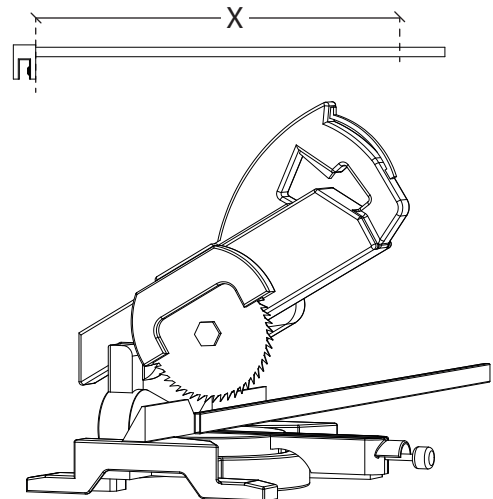
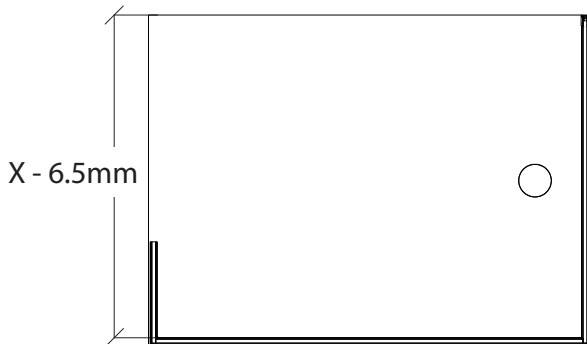
A1

Measure the distance from the inside face (wet side) of the Return Panel to the wall opposite. Ensure this measurement is truly horizontal.

Subtract 6.5mm to get your final dimension.

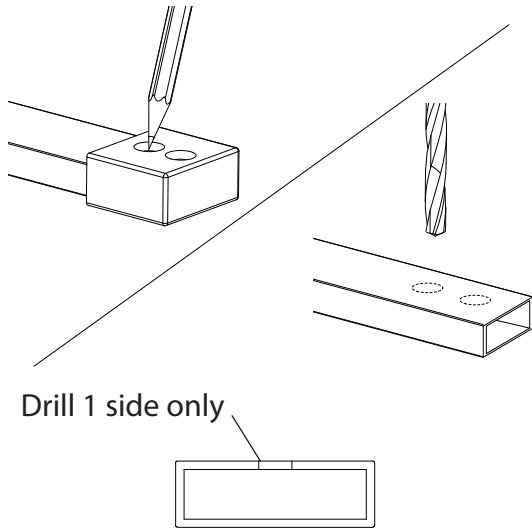
A2

Mark the final dimension on the Stay Bar Tube, wrapped with some masking tape. Carefully use a chop saw and fine file to cut and finish the edge.

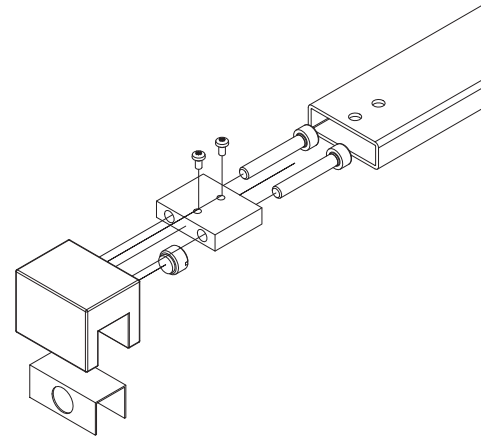


A3 With masking tape applied, place the supplied Stay Bar Jig firmly at the trimmed end of the Stay Bar and mark the 2 holes with a pen.

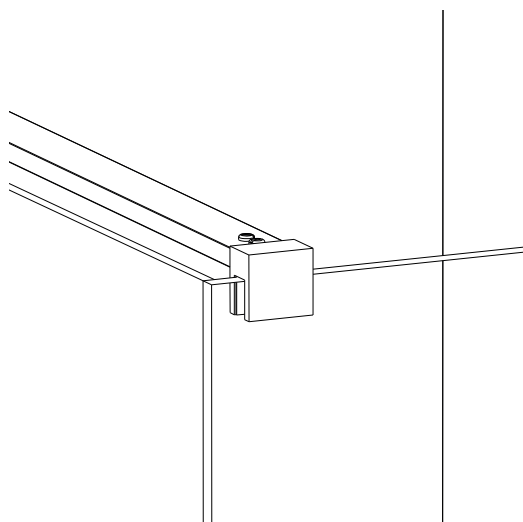
Drill holes using a 5mm drill bit.



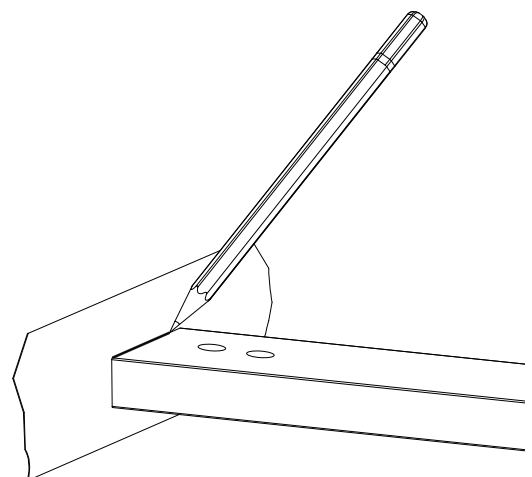
A4 Assemble the Glass Clamp to the Stay Bar as shown.



A5 Secure the Glass Clamp over the panel making sure the glass is fully inserted into the groove.

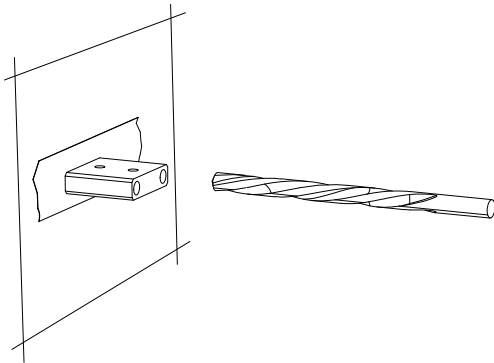


A6 Ensure the Stay Bar is square and level.
Mark the end location on the wall.
Remove the Stay Bar.



A7 Position the Stay Bar Connector central to the marking. Mark the holes for drilling. Use masking tape on the tiles to help.

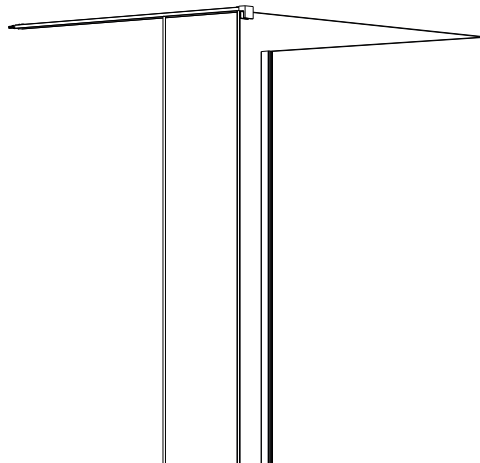
A8 Using a 5mm high quality drill bit for a clean and precise hole, drill the marked areas, fully insert the wall plugs and fix the Connector to the wall.



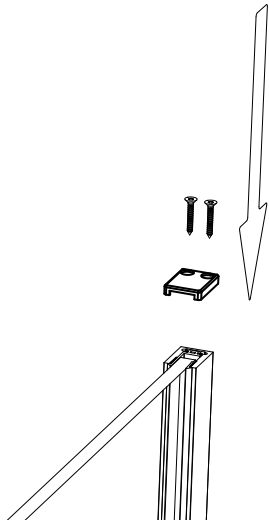
Professional Tip
 If drilling ceramic tiles, place masking tape on the tiles before marking and drill through the tape to prevent the drill bit from skidding.

DO NOT use Hammer Action as this will break the tiles.

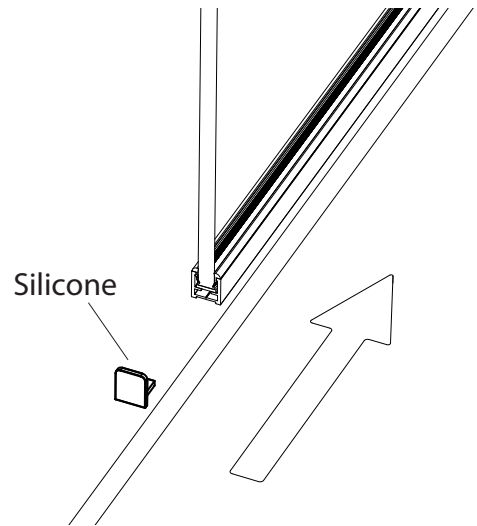
A9 Fix Glass Clamp over the Glass and attach the Stay Bar to the Wall Connector with screws provided.



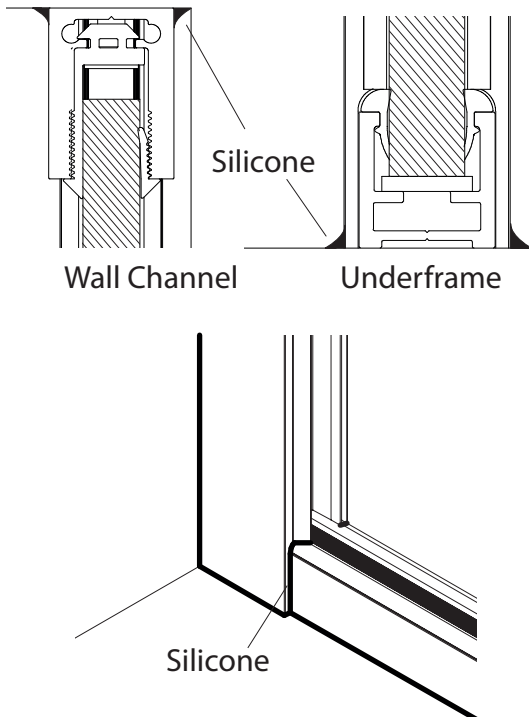
- 42 Apply the Wall Profile End Cap to the top of the Wall Profile and fix in place using self tapping screws.



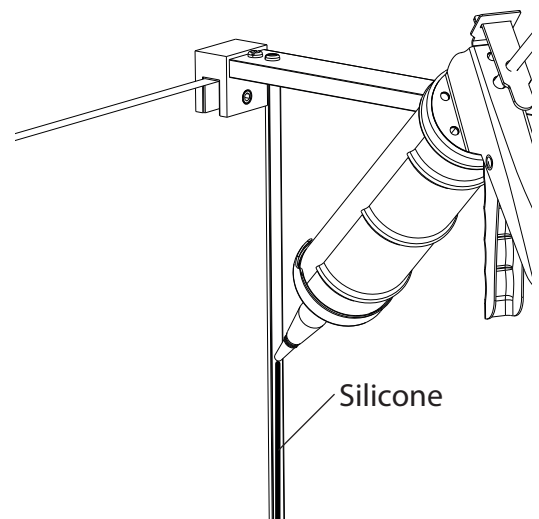
- 43 Install the Underframe End Cap.



- 44 Apply silicone sealant along the wall and floor, all around the outside of the Underframe and Wall Profiles.



- 45 Apply silicone sealant along the inside of the Enclosure where the Inline Panel meets the Return Panel on both sides.



46 Check silicone has been applied to all the below inside areas.

47 Check silicone has been applied to all the below outside areas.

Let the silicone sealant cure for 24 hours.

