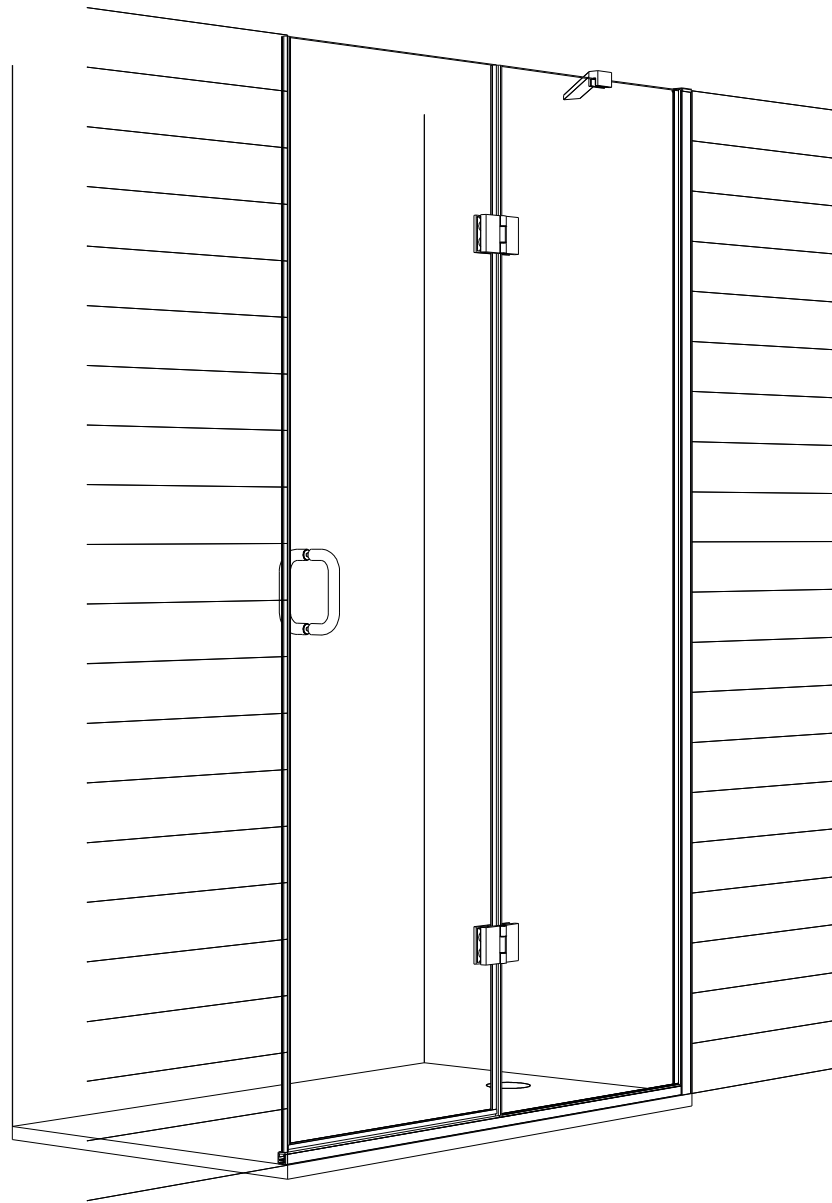


# THE SHOWER LAB

---



VIEW 04



Illustration - View 04  
H1 Handle  
Right Hand

## IMPORTANT

- This shower screen / enclosure must be installed by suitably qualified individuals. We recommend a minimum of two people for safe assembly of certain sections of this screen.
- Ensure all appropriate safety equipment, especially protective footwear, safety glasses and gloves are used.
- When drilling holes in ceramic tiles, use masking tape to prevent the drill from slipping: DO NOT use hammer action as this will crack the tiles. Use a high quality drill bit to ensure a clean, precise hole.
- Tighten hinges and brackets to the recommended **15.6N**.
- Please leave these instructions with the customer following installation.

## PRIOR TO INSTALLATION

- Before disposing of the packaging and prior to commencing assembly, please check all the components to ensure that they have been supplied correctly and are undamaged. Subsequent claims for missing or damaged pieces will not be accepted once the packaging has been disposed of and installation commenced.
- In the event of any queries please contact your supplier quoting the relevant model information.
- The Tray / Tiled floor on which this screen is to be installed must be level on all sides.
- It may be necessary to use alternate fixings to those supplied, depending on the properties of the walls to be fixed to.
- Use the protective corners supplied at all times until the glass is moved to its final position.
- Ensure that the glass is installed correctly, taking care to avoid installing the glass upside down. On certain panels an easy clean coating is applied to one side only, this is clearly marked with a sticker on the non-coated side. The coated surface is to be fitted inwards towards the inside (wet side) of the screen.
- Ensure that all surfaces to be sealed are clean and dry prior to applying the silicone sealant. Use a high grade fungal resistant sealant.
- Allow a minimum of 24 hours after application of the silicone sealant prior to using the screen.

## TOOLS & MATERIALS REQUIRED

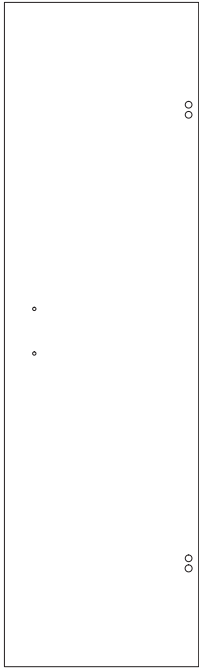
Junior Hacksaw	Modelling Knife	High Quality Silicone Sealant
Straight Edge (Steel Rule)	Spirit Level	Digital Torque Wrench
Fine Tooth File	Pencil	Tape Measure
Set or Roofing Square	Silicone Gun	Pozi-drive
Masking Tape	Power Drill	Screwdrivers, PZ1&2
	Ø6mm Masonry Drill Bit	Safety Glasses and
	2x Suction Glass Lifters	Gloves

## CARE AND MAINTENANCE

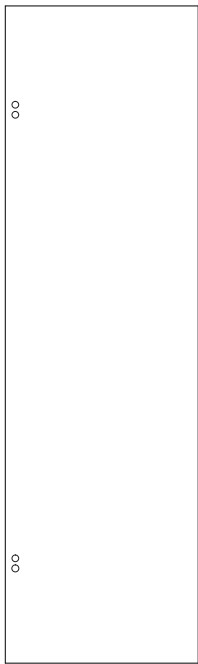
(please ensure that these instructions are left with the installed unit)

- We recommend routine cleaning of your screen / enclosure with hot water using a soft cloth, then drying with a dry soft cloth or chamois leather.  
**Ritec Aftercare for Shower Glass** is recommended for best results.
- All glass has been treated with EASY CLEAN glass finish and care must be taken to avoid any abrasive cleaning products that may damage the special surface protection.
- DO NOT use acidic based de-scaler products or products containing bleaches or solvents.

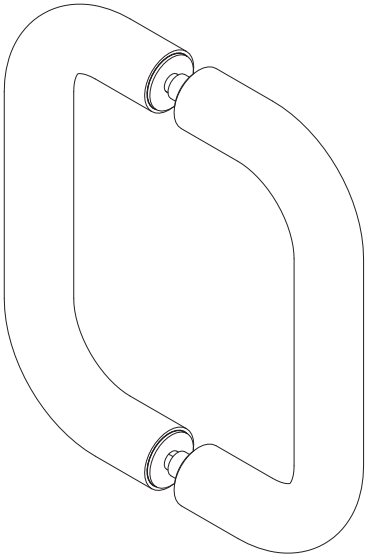
Supplied Parts



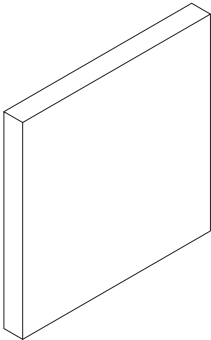
Door  
x1



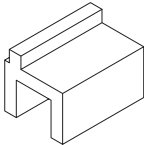
Inline Fixed Panel  
x1



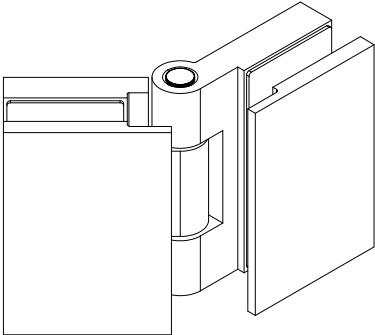
Door Handle  
(Option dependant)  
x1



Nylon Block  
x1

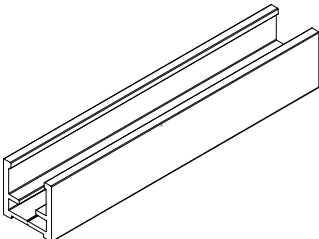


Glass Support  
x2

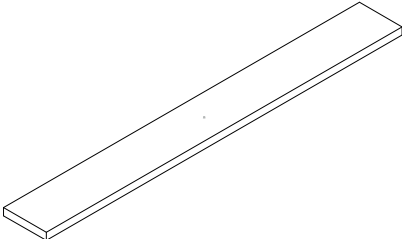


Glass to Glass Hinge  
x2

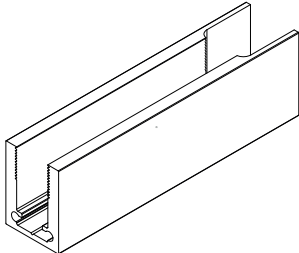
Supplied Parts



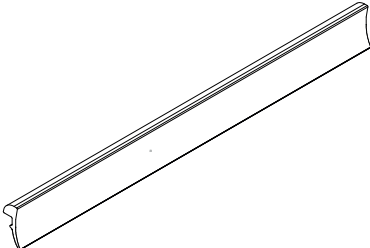
Underframe  
x1



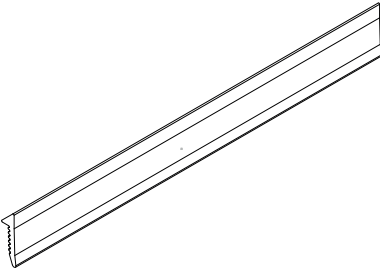
Underframe Gasket  
x1



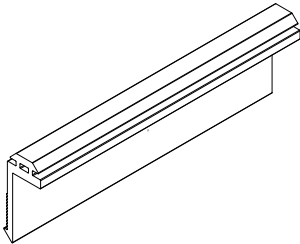
Wall Profile  
x1



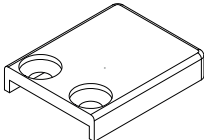
Underframe Wedge Gasket  
x2



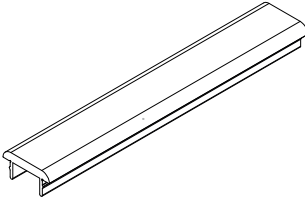
Wall Profile Rigid Seal  
x1



Wall Profile Soft Seal  
x1

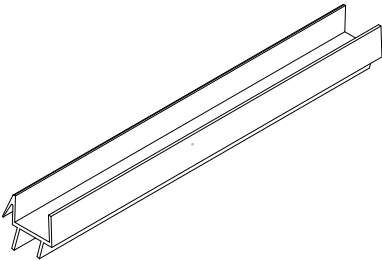


Wall Profile End Cap  
x1

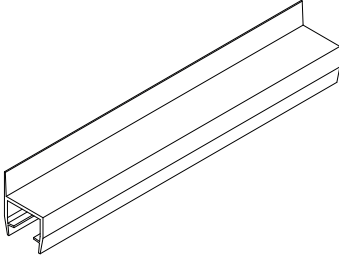


Underframe Top  
x1

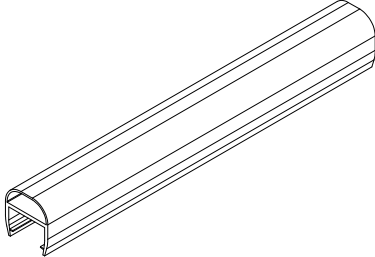
Supplied Parts



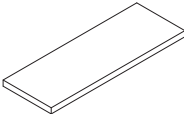
Bottom Door Seal  
x1



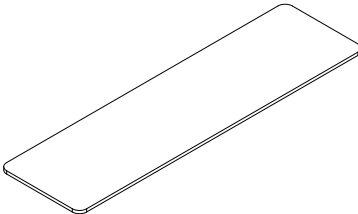
Glass to Glass Seal  
x1



Glass to Wall Bubble Seal  
x1



Spacers



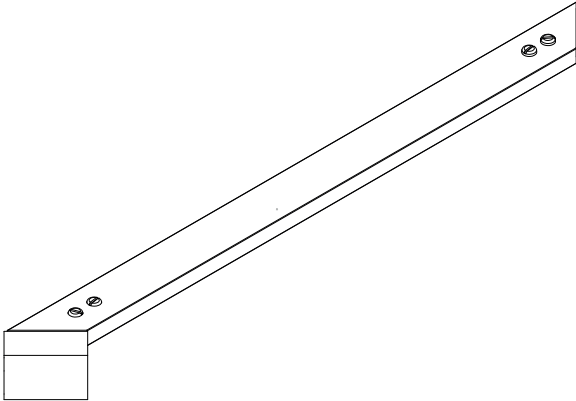
Packers

---

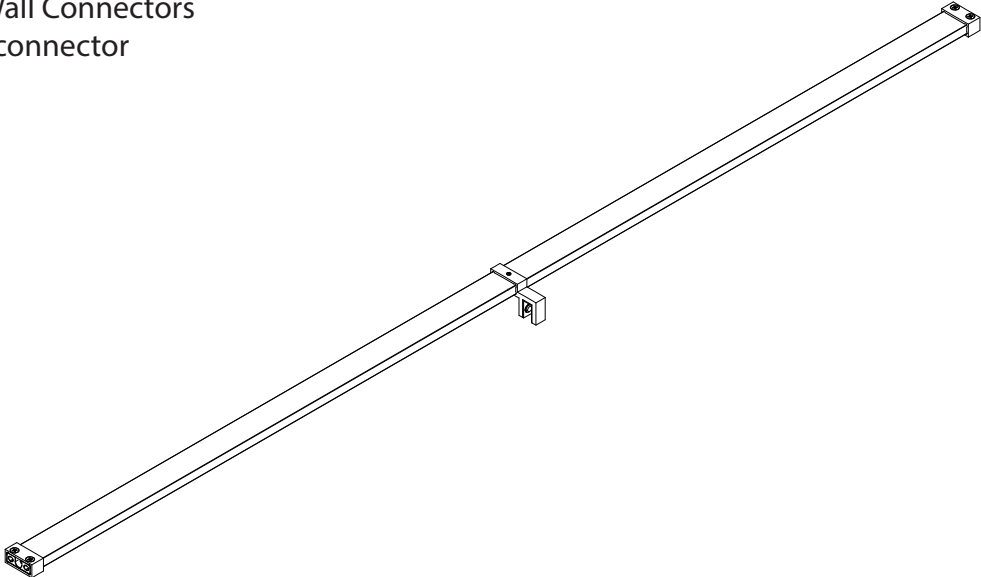
Supplied Parts

Please use this page to find which stay bar your enclosure has been supplied with.

SB2 45° - With Glass Clamp



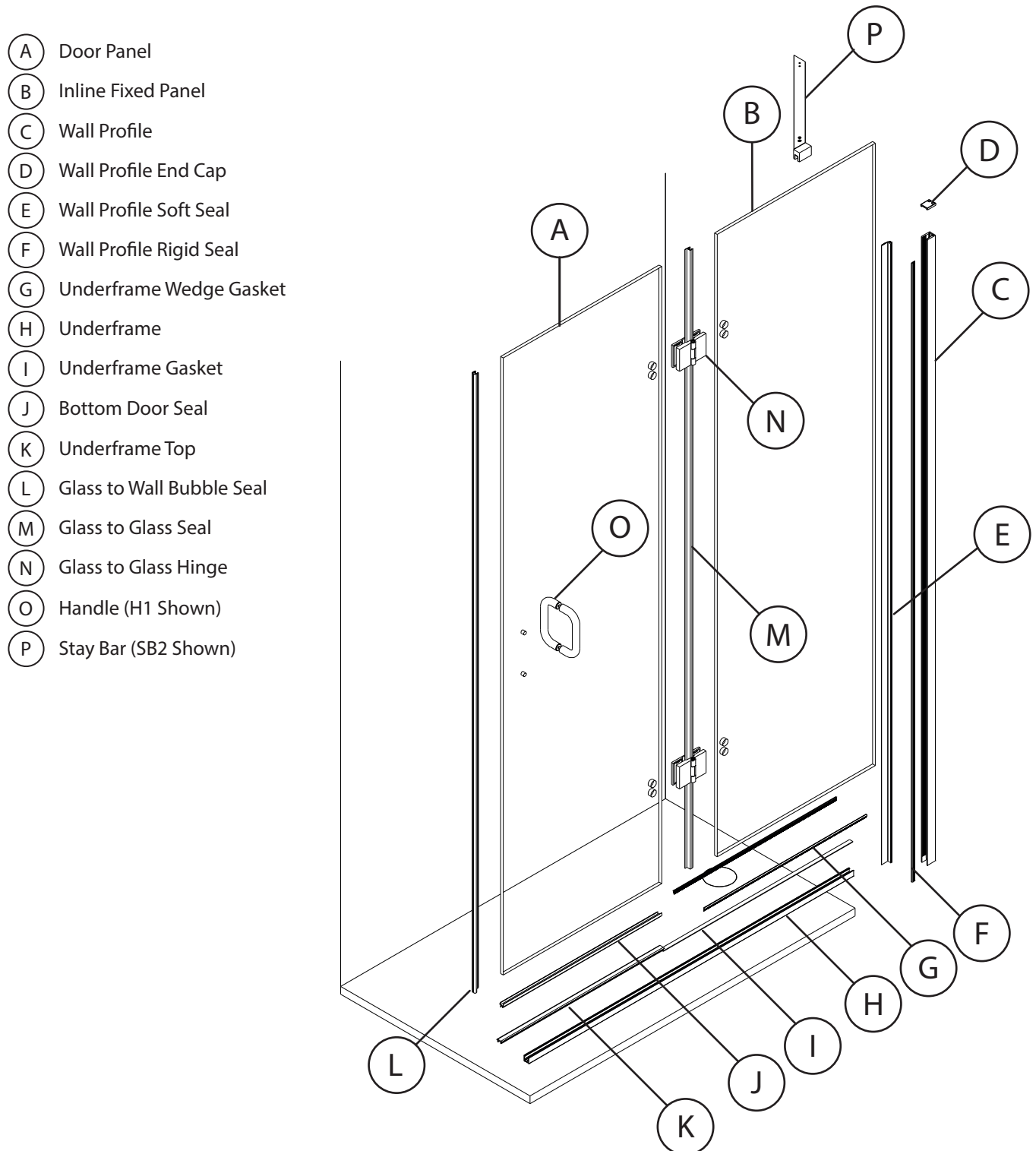
SB9 - With Wall Connectors  
and T connector



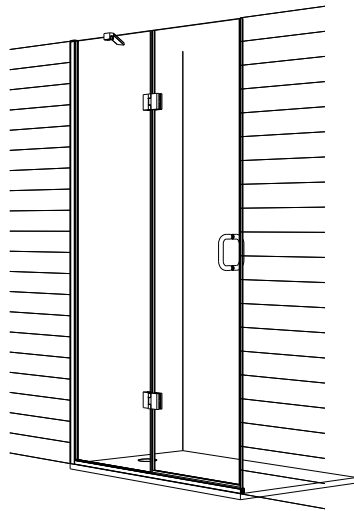
These instructions are for the View 04. An SB2 Stay Bar is used for this illustration.

The following instructions are valid for both the 20mm and 30mm profiles. The 30mm profile is used in the following instructions.

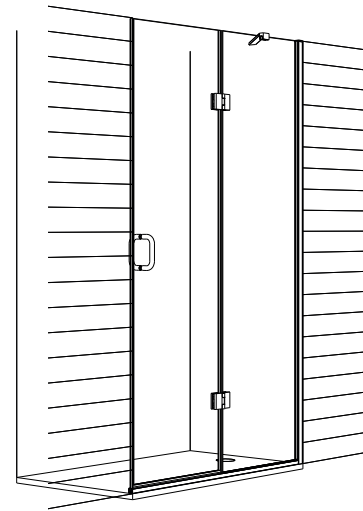
Please use the below diagram to reference the list of parts.



LH



RH



STANDARD ENCLOSURES - 30mm (CH30) Wall Profile

Code	Width	Height	<input checked="" type="checkbox"/>
VR04S80	766-780	2000	<input type="checkbox"/>
VR04S90	866-880	2000	<input type="checkbox"/>
VR04S100	966-980	2000	<input type="checkbox"/>
VR04S110	1066-1080	2000	<input type="checkbox"/>
VR04S120	1166-1180	2000	<input type="checkbox"/>
VR04S130	1266-1280	2000	<input type="checkbox"/>
VR04S140	1366-1380	2000	<input type="checkbox"/>
VR04S150	1466-1480	2000	<input type="checkbox"/>
VR04S160	1566-1580	2000	<input type="checkbox"/>
VR04S170	1666-1680	2000	<input type="checkbox"/>
VR04S180	1766-1780	2000	<input type="checkbox"/>

BESPOKE ENCLOSURES - 30mm (CH30)/ 20mm (CH20) Wall Profiles

If you have a Bespoke Enclosure, reference the Install Sheet for the panel specifications of the Enclosure.

**CH30 - Bespoke Enclosure Width:** Door Panel + Inline Panel + 21 = Minimum Width + 14 = Maximum Width

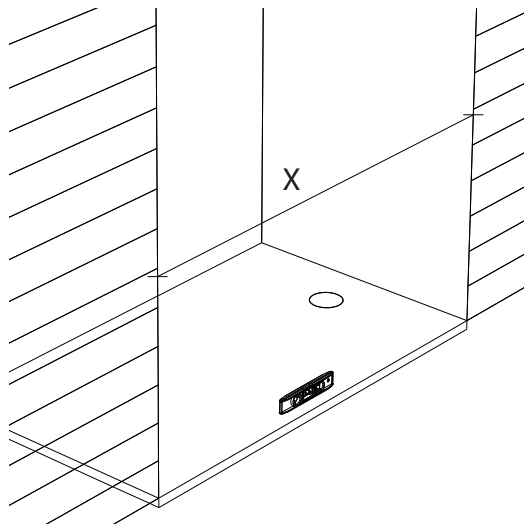
**CH20 - Bespoke Enclosure Width:** Door Panel + Inline Panel + 21 = Minimum Width + 4 = Maximum Width



01

Ensure the base is level.

Measure the width of the opening where the door is to be fitted.



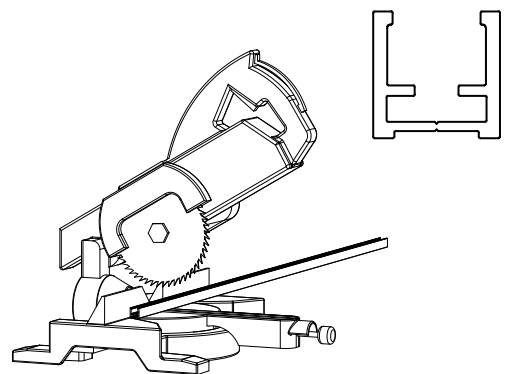
02

Mark this measurement on the Underframe bottom.

It is recommended to use masking tape on the Underframe to mark your measurement.

Cut squarely using a chop saw.

Use a fine toothed file to remove any burrs, be careful not to damage the surface finish.

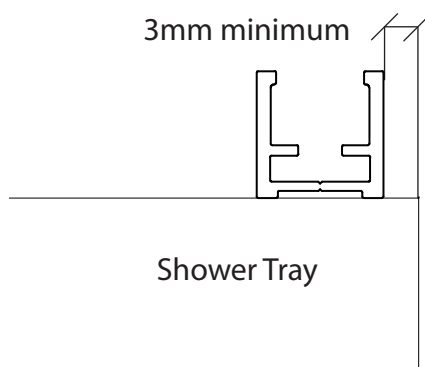


03

Position the Underframe parallel to tray edge.

If using a raised shower tray, leave a minimum 3mm gap from the edge of the tray (5mm is recommended). This is the lip distance.

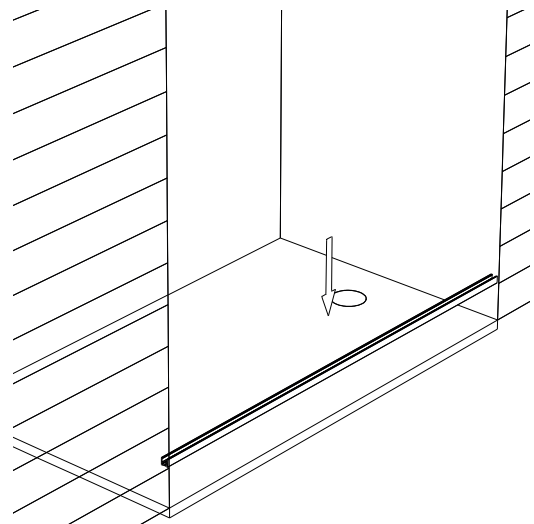
DO NOT fix the Underframe channel to the tray at this stage.



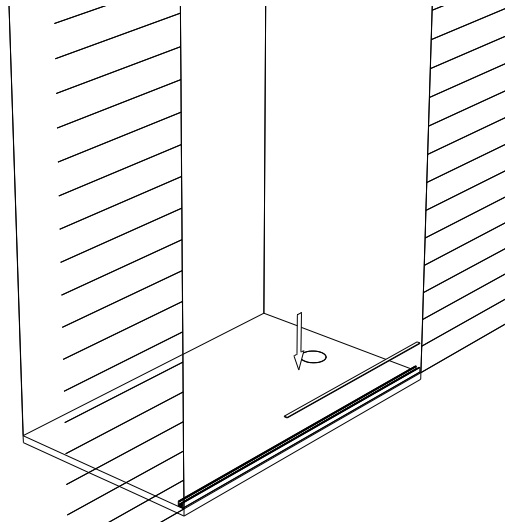
04

Temporarily fix the Underframe into the correct position using double sided tape.

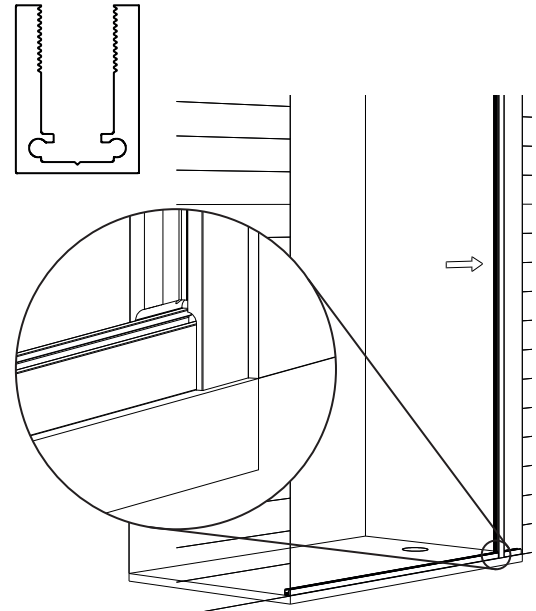
DO NOT use the existing tape. This tape is for final positioning of Underframe.



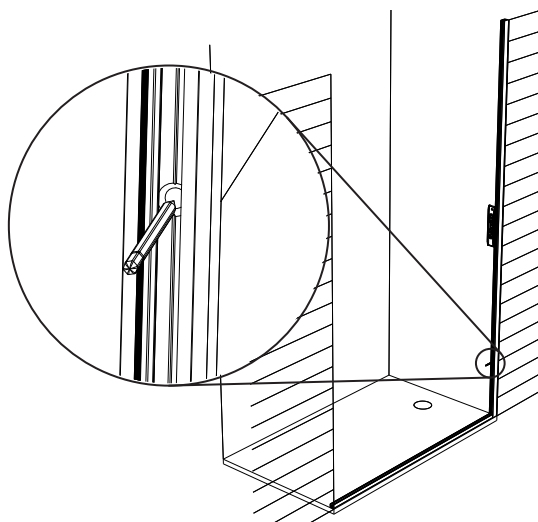
- 05 Place the Underframe Gasket into the Underframe and butt up against the wall.



- 06 Place the Wall Profile over the Underframe and up against the wall.



- 07 Ensure the Wall Profile is vertical by using a spirit level. Mark the positions of the pre-drilled holes.



- 08 Remove the Wall Profile and drill holes with a 6mm high quality drill bit for a clean and precise hole.

Fully insert the wall plugs.



**Professional Tip**

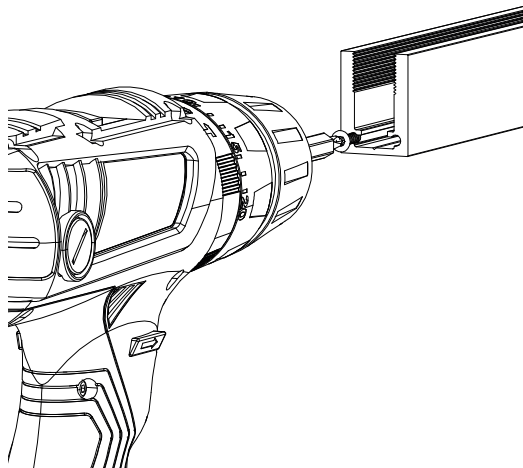
If drilling ceramic tiles, place masking tape on the tiles before marking and drill through the tape to prevent the drill bit from skidding.

**DO NOT** use Hammer Action as this will break the tiles.

09 Pre drill the No 6 screws in to the Wall Profile to create the thread for the Top Cap, then REMOVE screws.

Fix the Wall Profiles to the wall using the No 8 screws.

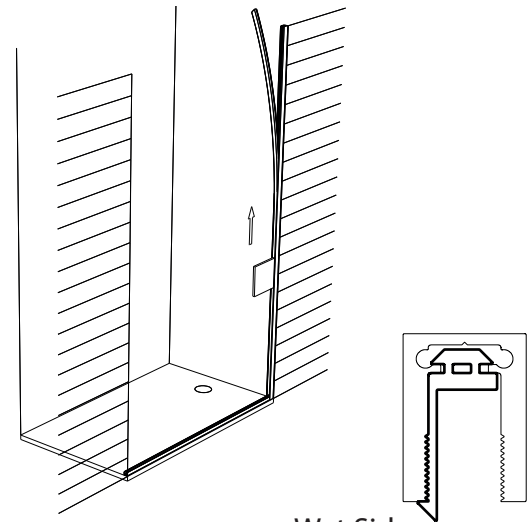
-  (No 8) Profile - Wall
-  (No 6) Profile - Top Cap



10 Take the Wall Profile Soft Seal and push the seal into place on the vertical Wall Profile to cover the screws.

Ensure the fin is on the inside (wet side).

Use the Nylon Block to help.



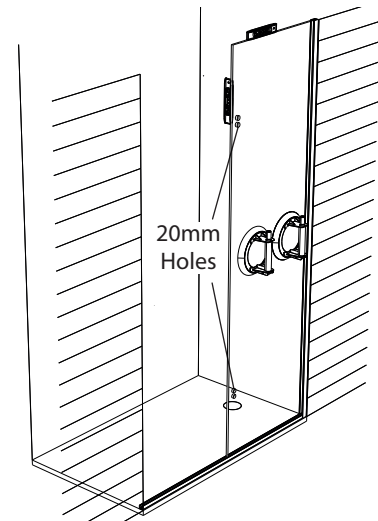
11 Using purpose built "Glass Lifters", position and sit the Inline Glass Panel on to the Underframe Gasket and push against the Wall Profile.

Note the orientation and position of the Panel, this can be determined by any holes or attached labels.



12 Remove and replace the Panel adding or subtracting spacers as necessary to level the Panel (to a maximum height of 5mm inside the Underframe).

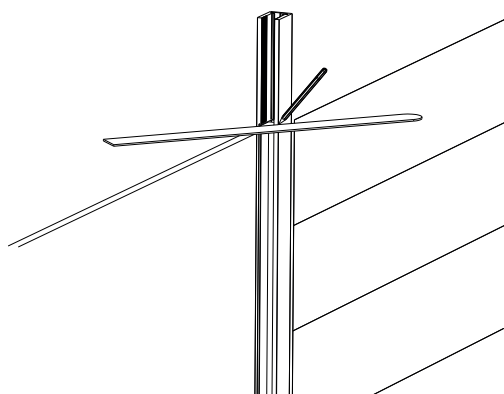
Check the Panel is level using a Spirit Level.



13 If the Wall Profile is flush with the Inline Glass Panel, move on to step 15.

If the end of the Wall Profile is not flush with the top of the Inline Glass Panel, mark the Wall Profile using a straight edge.

To protect the channel finish, it is recommended to mark on masking tape.



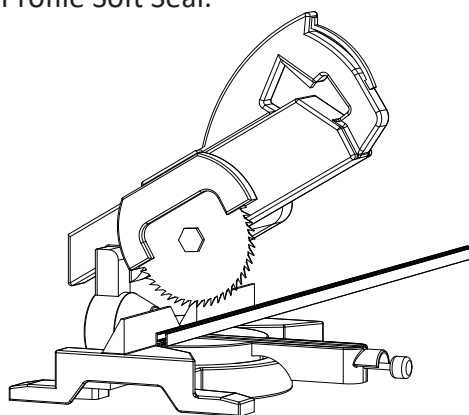
14 Remove the Inline Panel, Wall Profile Soft Seal, and the Wall Profile.

Trim the Wall Profile.

Use a fine file to remove any burrs. Be careful not to damage the channel finish.

Re-drill the screws in to the Wall Profile and remove after drilling.

Reinstall the Wall Profile and Wall Profile Soft Seal.

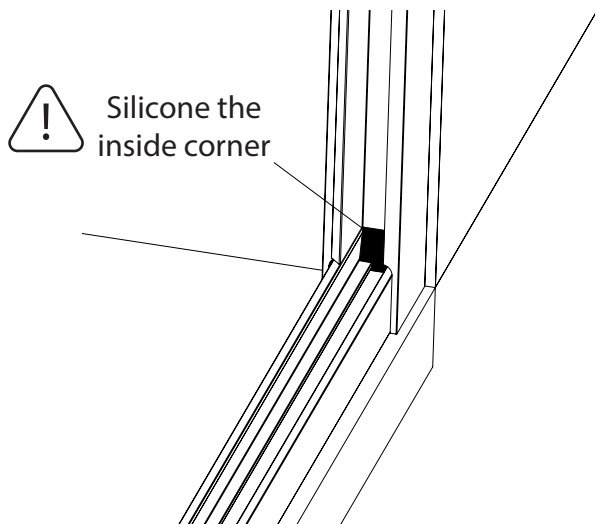


15 If the Glass is still in place, remove it.



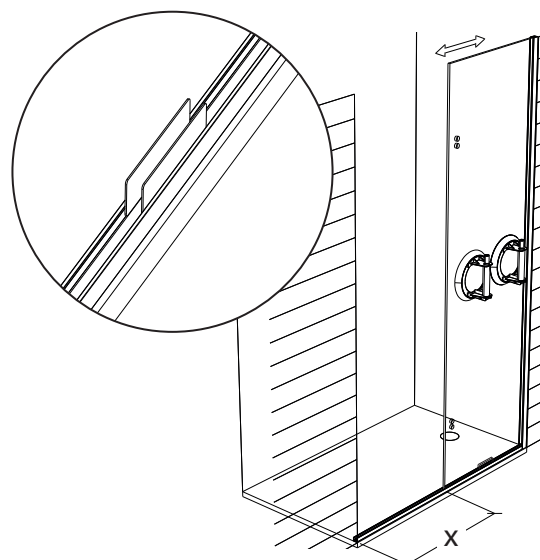
Add silicone in the corner where the Wall profile Meets the Underframe at the back.

Re-install the Glass.

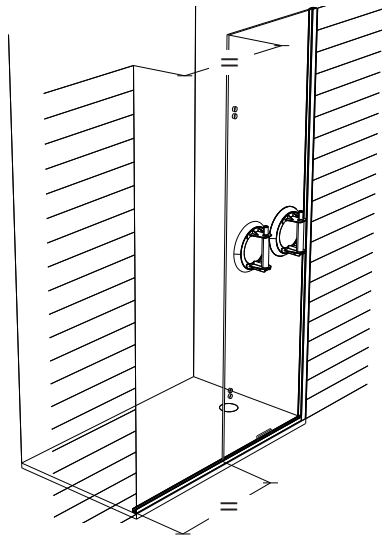


16 Measure the width of the Door. Add 11mm to this dimension. This is your door gap. Adjust the Inline Panel to achieve the door gap.

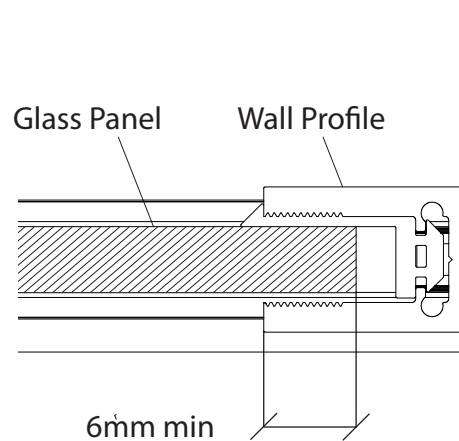
To centre the panel, add 1mm Packers on both sides of Inline Panel in the Underframe.



- 17 Measure and check the distance from the Inline Panel to the opposite wall tiling at the bottom and at the top are equal.

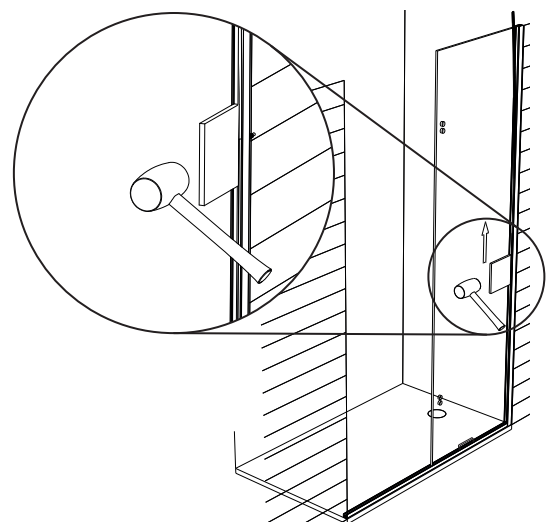
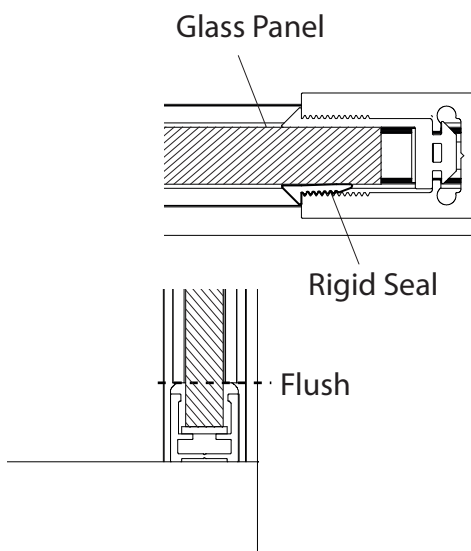


- 18 Ensure there is adequate glass in the Wall Profile. (6mm is minimum)



- 19 Apply Rigid Seal to dry side of the Wall Profile starting from the archway of the Wall Profile up to the top face of the Wall Profile.

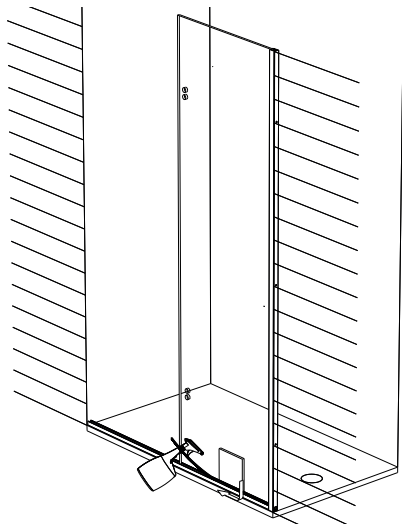
- 20 Gently tap the Wall Profile Rigid Seal into place using a rubber mallet with the Nylon Block to protect the Glass and the Wall Profile.



21

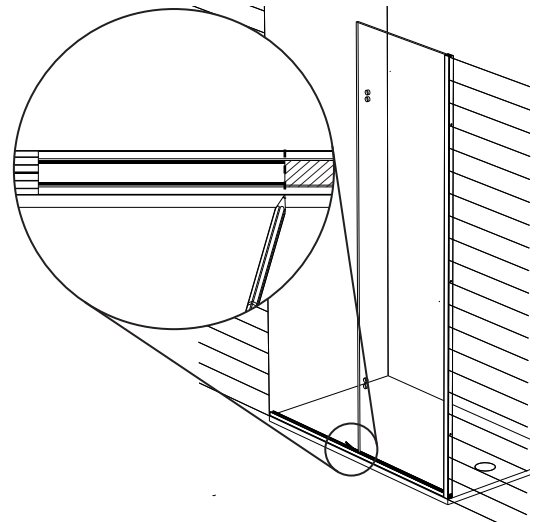
Remove Packers and feed the Underframe Wedge Gasket into the archway gap of the Fixed Panel and trace along the Glass on both sides.

Spray water on Glass Panel and use Nylon Block to help feed Gasket.



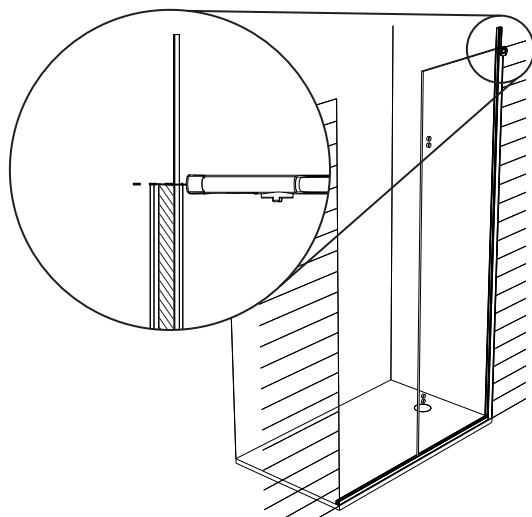
22

Trim the Wedge Gaskets at the edge of the Inline Panel.



23

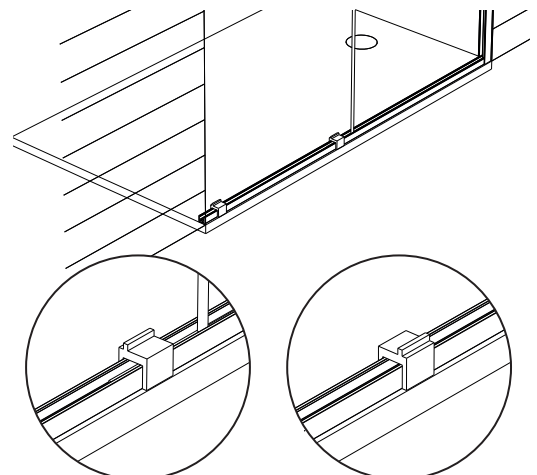
Trim both of the Wall Profile seals at the top face of the Wall Profile using a blade.



24

Place the Door Supports evenly over the Frame.

Check the orientation against your door direction.



Outward opening

Inward opening

25

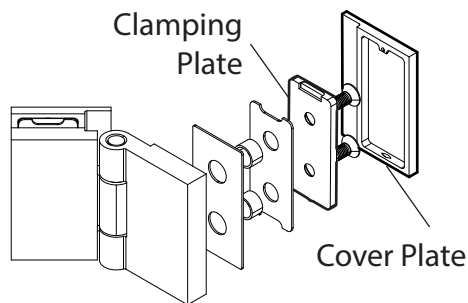
Attach the Glass to Glass Hinges in the direction your door will open and tighten to the Inline Panel.

Evenly tighten the screws until the Gaskets are just “nipping” the Glass.

Tighten all the screws to 15.6N.

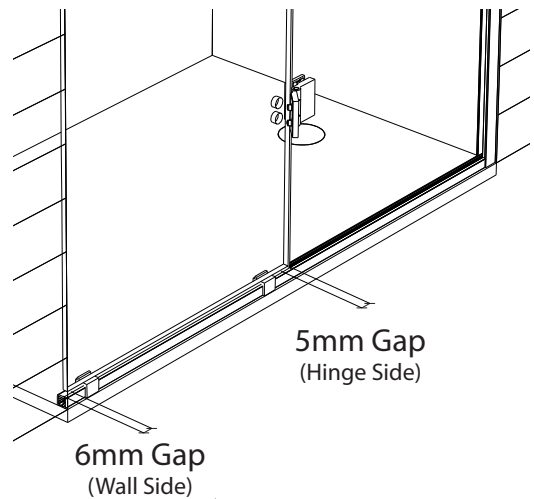
Check the orientation of the Cover Plates. Adjust Clamping Plate to Suit.

DO NOT fit the Cover Plates yet.



26

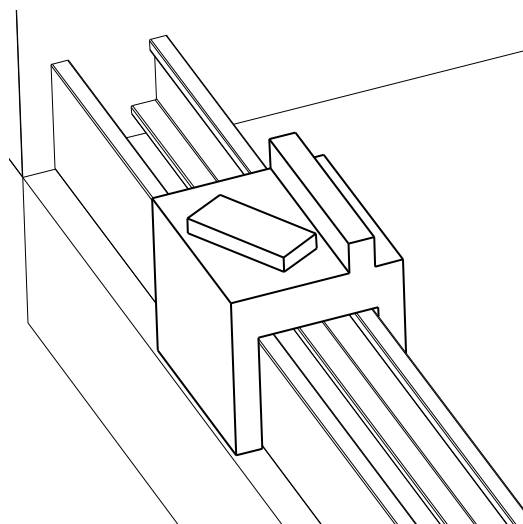
With one person inside the enclosure, position the Door onto the Door Supports as indicated. Ensure there is a 6mm gap between the Door and the wall and 5mm between the two Panels.



27

Add Spacers to the Glass Supports in order to level the door.

Check both Panels are level and square.



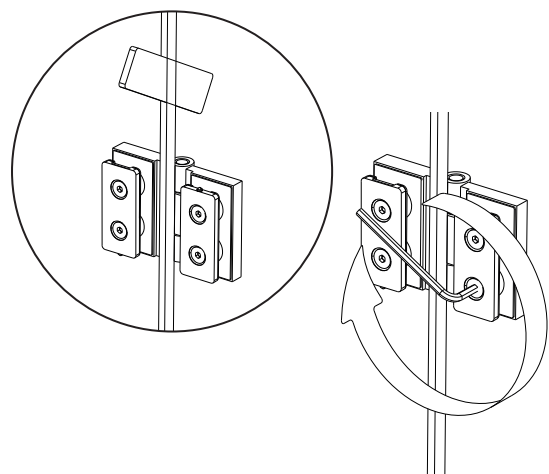
28

Attach the Glass to Glass Hinges to the door and tighten.

Use 5mm Packers in gap and evenly tighten the screws until the gaskets are just “nipped”.

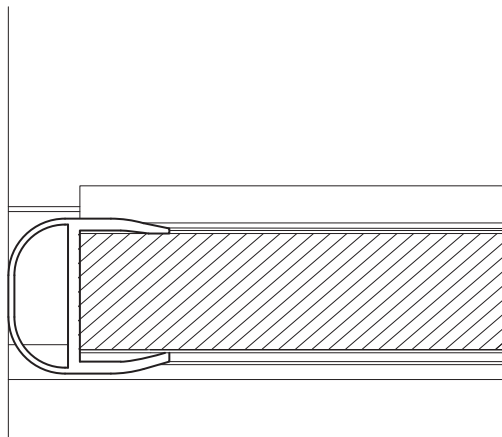
Tighten all screws to 15.6N.

DO NOT fit the Cover Plates yet.



29

Attach the Glass to Wall Bubble Seal to the Door. Ensure the seal is gently compressed against the wall and that it provides a complete seal with no gap.



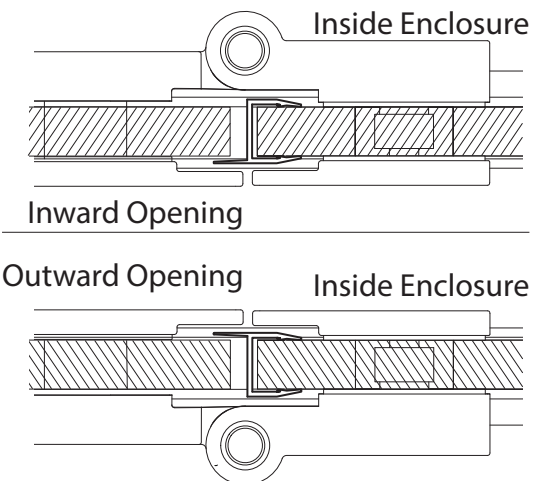
30

Attach the Glass to Glass seal to the Inline Panel.

Ensure a good seal along the edge of the door.

Check the orientation is correct.

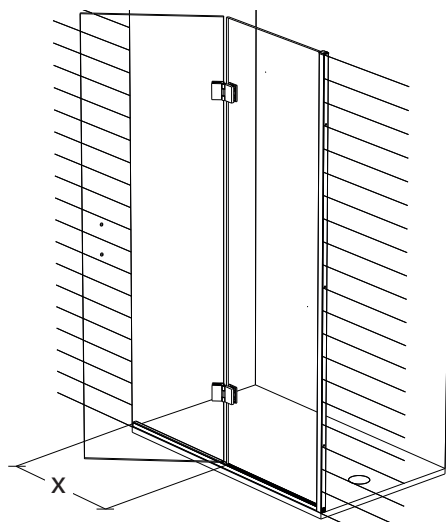
Remove the seals after checking.



31

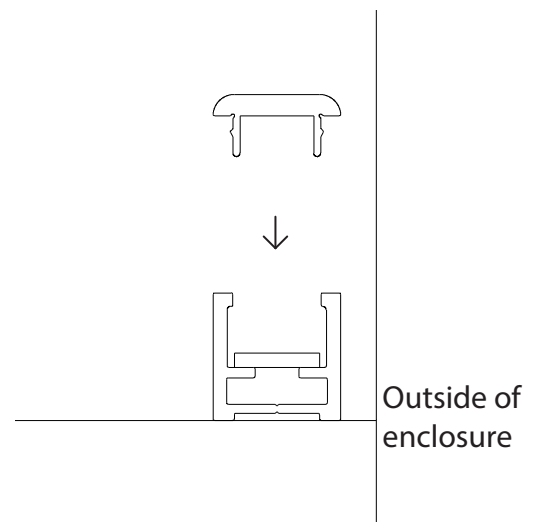
Measure the distance between the Inline Panel and the tile.

Mark and cut the Underframe Top.



32

Snap the Underframe Top on to the Underframe.

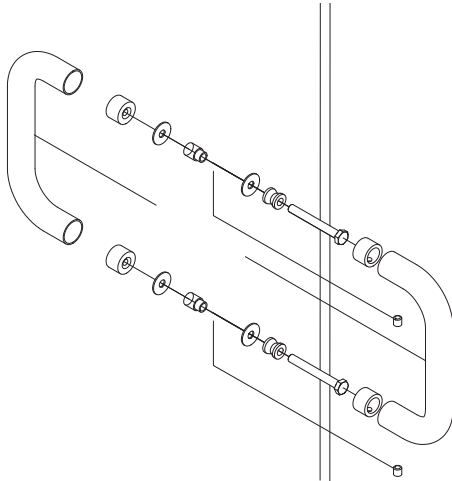




33

Attach the Handle if included. Secure in place with the grub screws provided.

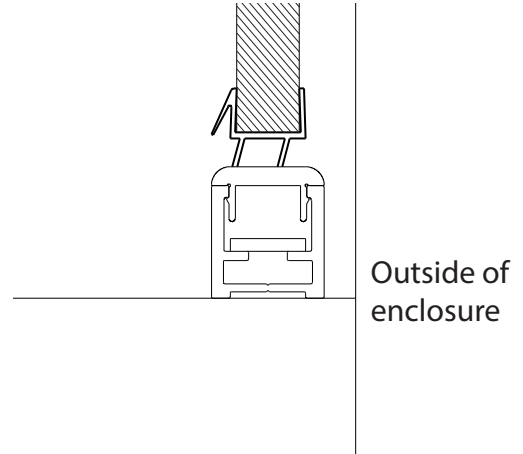
The Handle should be oriented so that the grub screws are not visible when looking down on the handle.



34

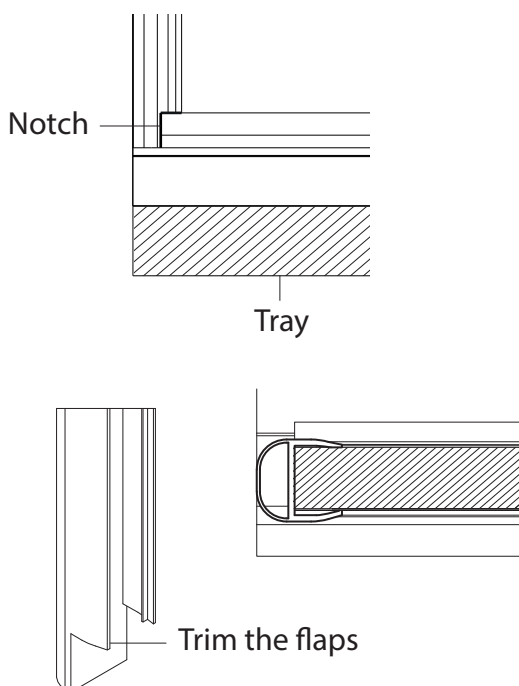
Measure the width of the Door and trim the Bottom Door Seal accordingly with a fine toothed junior hacksaw.

Attach the Seal ensuring the Seal is correctly oriented.



35

Check the Glass to Wall "Bubble" Seal orientation and trim a notch to fit around the Bottom Door Seal.

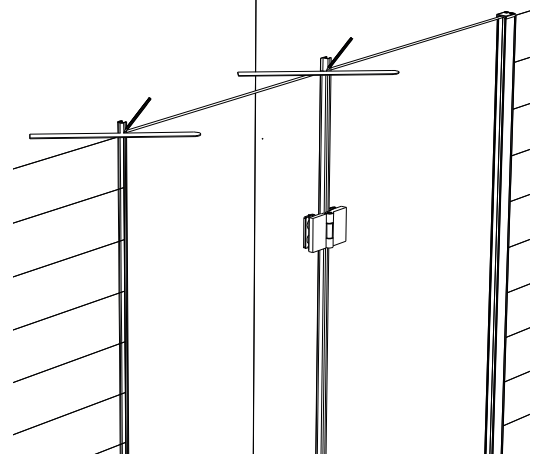


36

Push both Vertical Seals down as far as they can go.

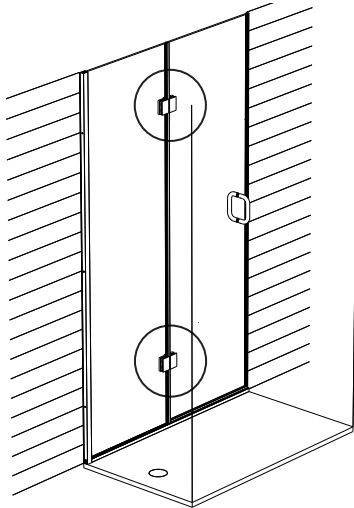
With a straight edge, mark where the Seals will be trimmed. Remove the Seals and trim with a fine toothed junior hacksaw so they are flush with the tops of the Glass Panels.

Replace the seals.



37

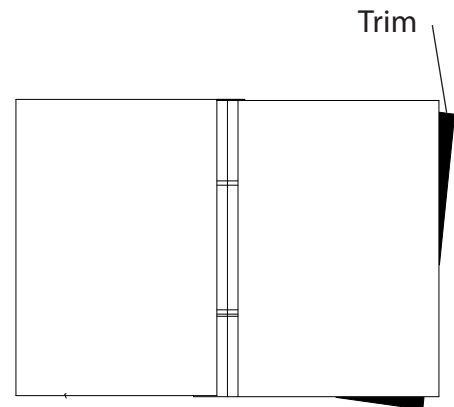
Tighten all screws.  
Fit all Cover Plates to the Hinges.



38

Using a sharp modelling knife, trim any excess gasket material from the Hinges that may have squeezed out when tightening.

Take care not to scratch the glass surface.



39

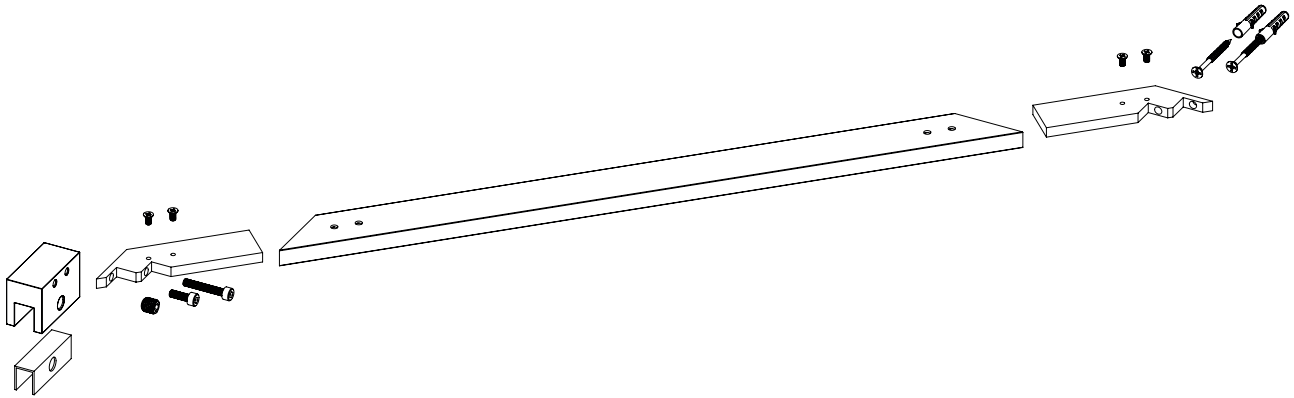
Check which Stay Bar configuration your screen has been supplied with and refer to the relevant instructions below. (You can find this out at the front of these instructions).

Config A - SB2

Page 11

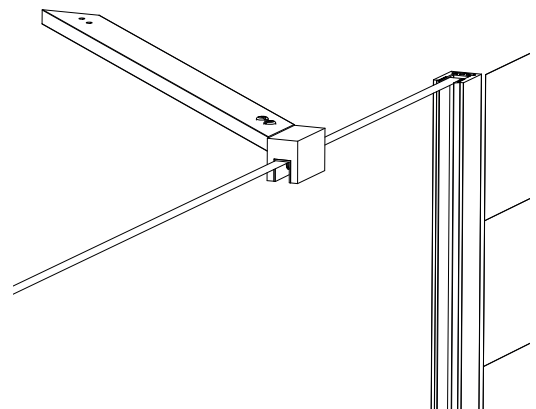
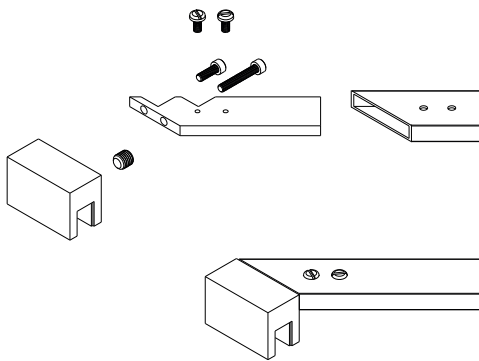
Config B - SB9

Page 13

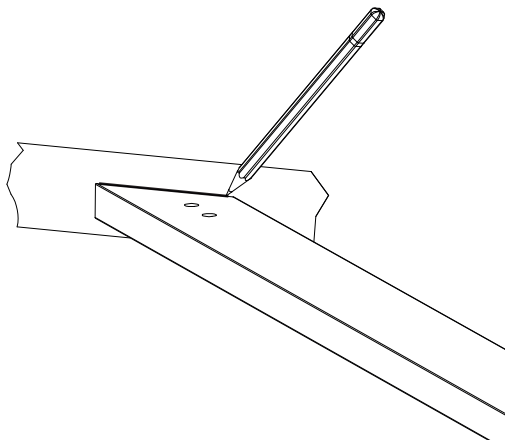


A1 Assemble the Glass Clamp to the Stay Bar.

A2 Secure the Glass Clamp over the panel, ensuring it is flush against the wall (tile).

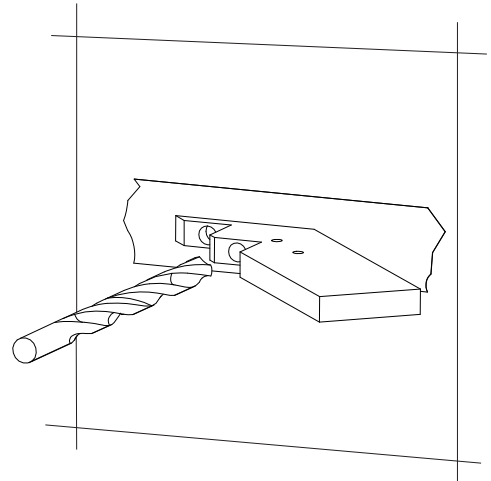


- A3 Ensure the Stay Bar is level and square.  
Mark the location on the wall and remove the Stay Bar.



- A4 Position the Stay Bar Connector central to the marking. Mark the holes for drilling.

Use masking tape on the tiles to help.

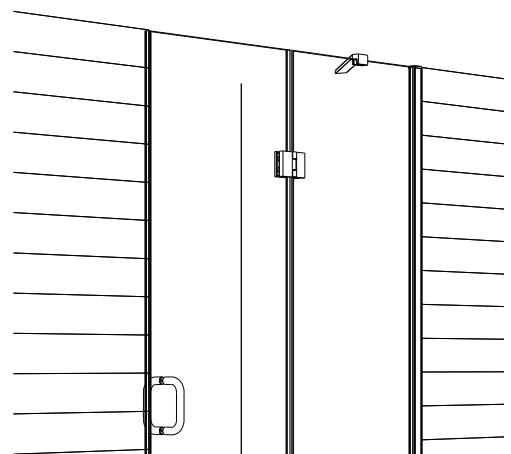


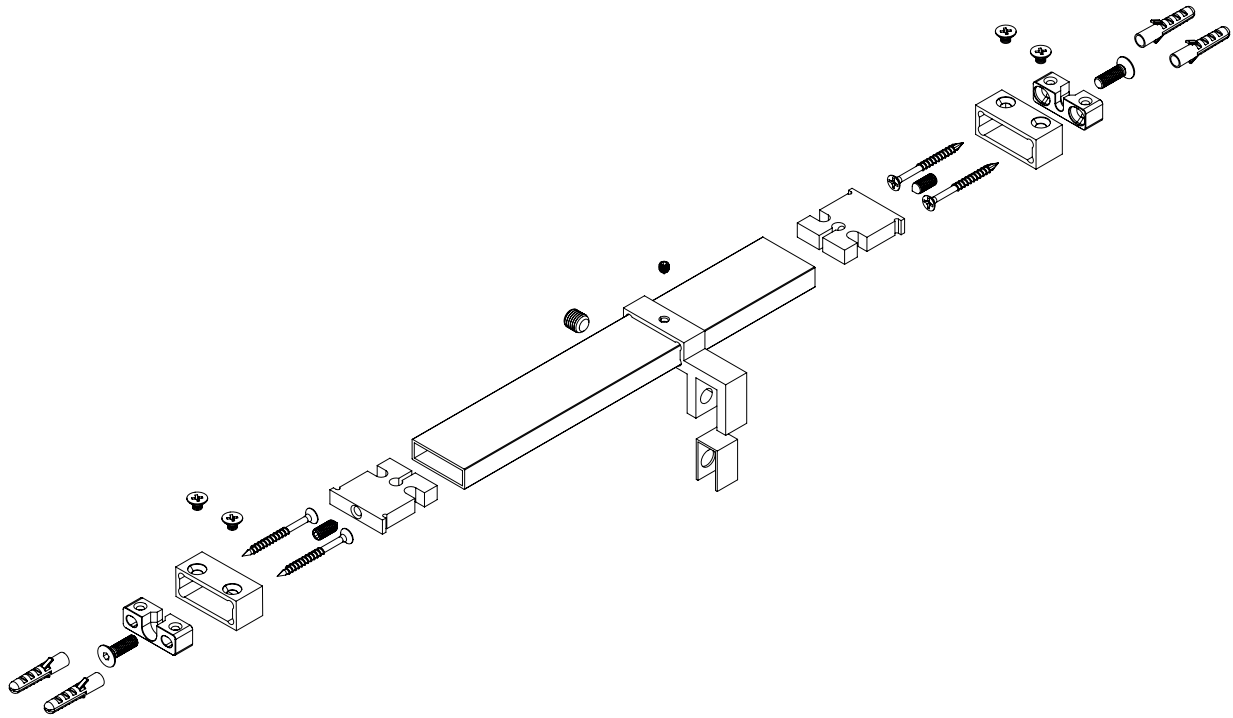
- A5 Using a 5mm high quality drill bit for a clean and precise hole, drill the marked areas, fully insert the wall plugs and fix the Connector to the wall.

- A6 Fix Glass Clamp over the Glass and attach the Stay Bar to the Wall Connector with screws provided.

**Professional Tip**  
If drilling ceramic tiles, place masking tape on the tiles before marking and drill through the tape to prevent the drill bit from skidding.

**DO NOT use Hammer Action as this will break the tiles.**



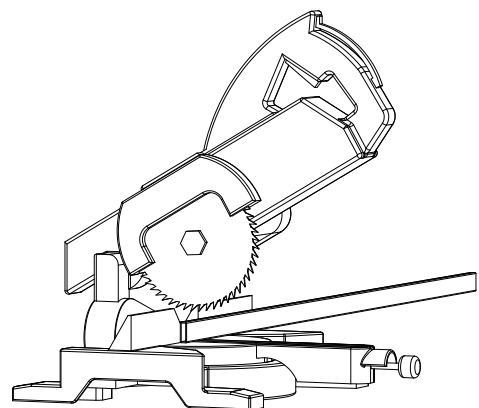
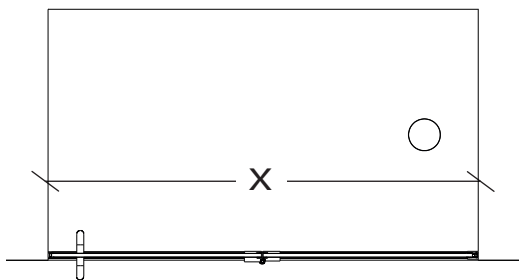


**B1** Measure the distance from tile to tile. Ensure this measurement is truly horizontal.

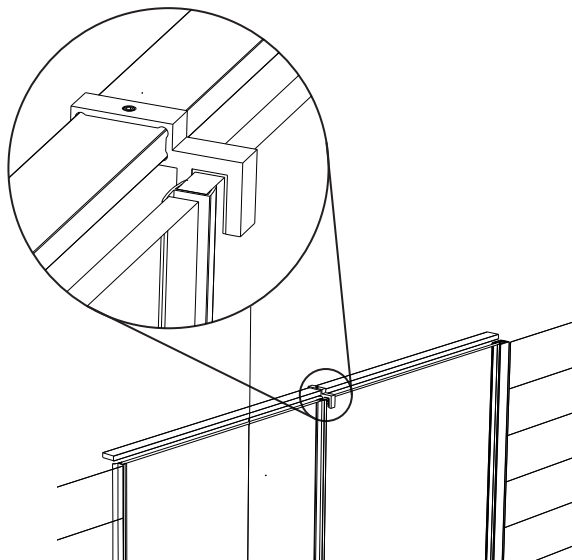
Subtract 25mm to get your final dimension.

**B2** Mark the final dimension on the stay bar tube, wrapped with some masking tape.

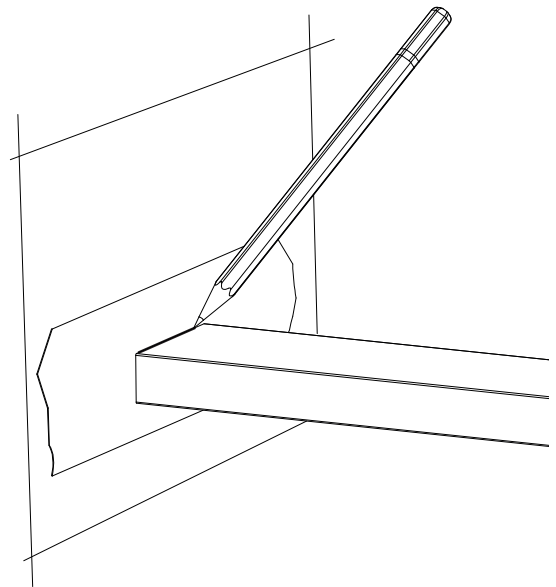
Carefully use a chop saw and fine file to cut and finish the edge.



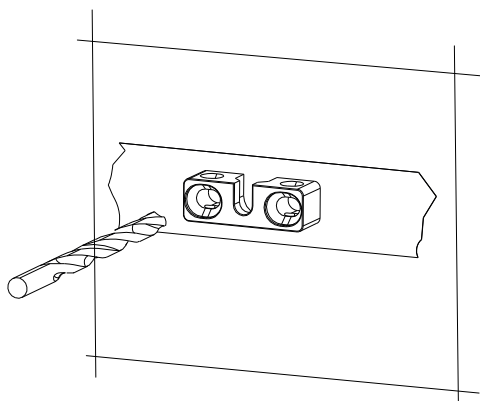
**B3** Slide the T Connector on the Stay Bar.  
Fit the Stay Bar on to the Glass Inline Panel. Position the T Connector 15mm from the edge of the Inline Glass Panel.



**B4** Level the Tube and mark both ends of the Tube on the tiles.  
Remove the Tube after marking.



**B5** Position the Mounting Blocks central to the markings. With a small drill bit, mark the holes for drilling.  
Use masking tape on the tiles to mark.



**B6** Using a 5mm high quality drill bit for a clean and precise hole, drill the marked areas, fully insert the wall plugs and fix the connectors to the wall.

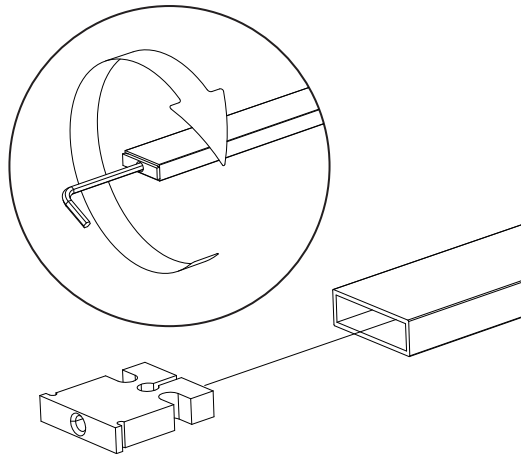
**Professional Tip**

If drilling ceramic tiles, place masking tape on the tiles before marking and drill through the tape to prevent the drill bit from skidding.

**DO NOT** use Hammer Action as this will break the tiles.

**B7** Install the Expanding Anchors on both ends of the Tube.

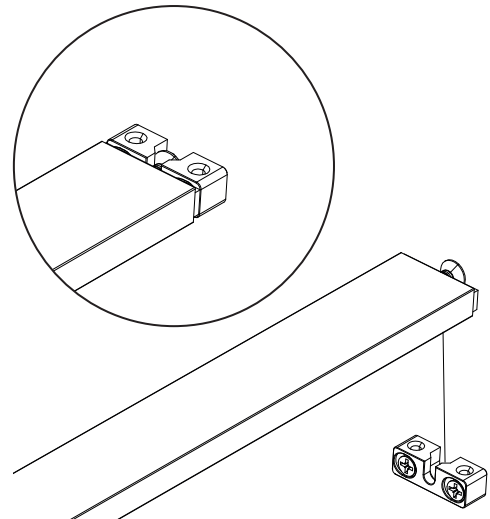
Use an Allen Key to fix the Anchors in place.



**B8** Fix the supplied CSK screws on to both Expanding Anchors.

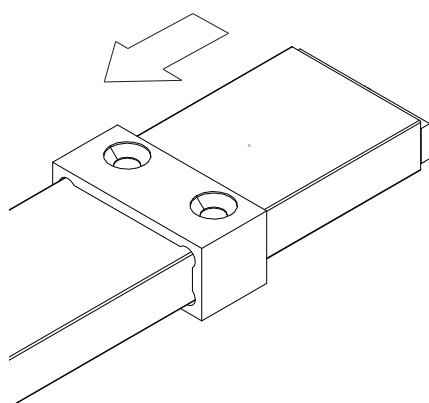
Slot the Stay Bar on to the Mounting Block.

Adjust the screws as necessary to ensure a secure fit.



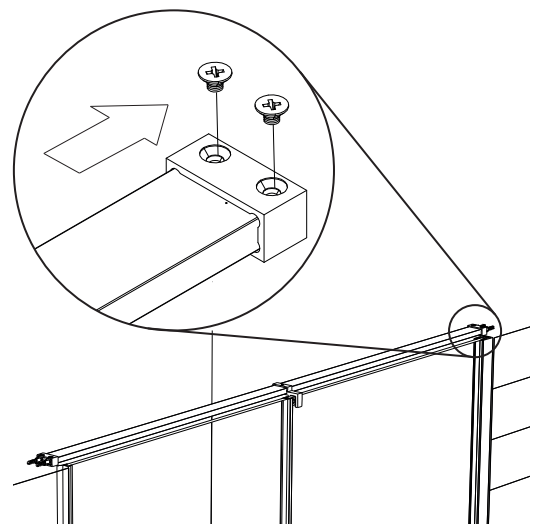
**B9** Remove the Stay Bar Tube.

Slide the two Stay Bar Collars over the Tube on each side of the T Connector.

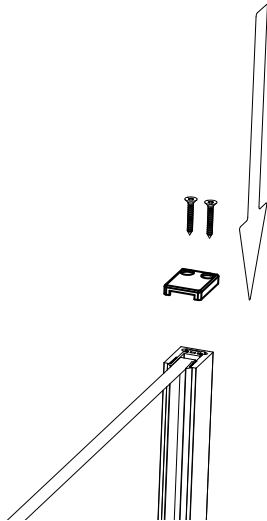


**B10** Reinstall the Tube on the Mounting Blocks.

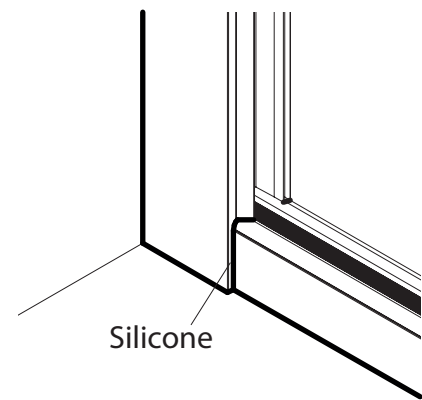
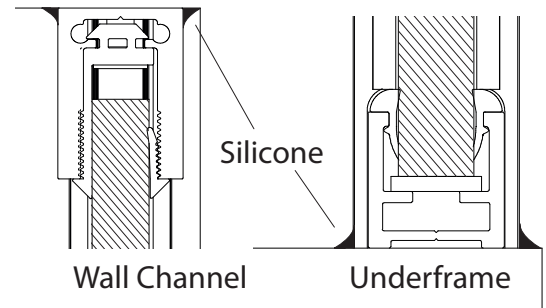
Fix the Stay Bar Collars in place over the Mounting Block on both sides with supplied screws.



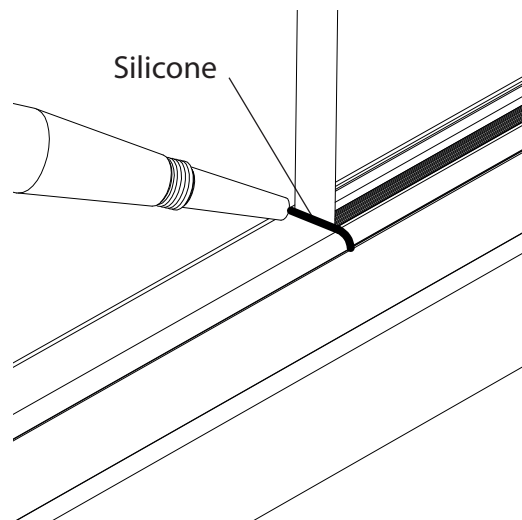
- 40 Apply the Wall Profile End Cap to the top of the Wall Profile and fix in place using self tapping screws.



- 41 Apply silicone sealant along the wall and floor, all around the outside of the Underframe and Wall Profiles.



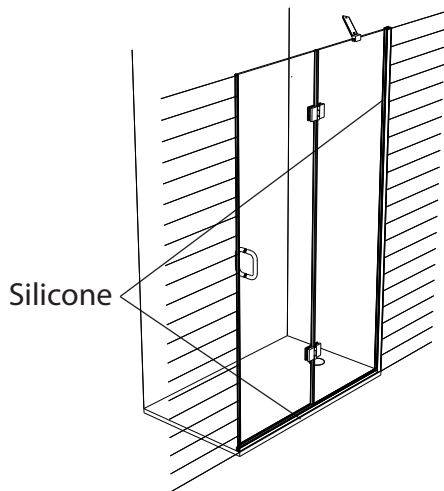
- 42 Apply silicone to the edge of the Underframe Top where it meets the Glass Inline Panel.





43

Check silicone has been applied to all the below outside areas.



44

Check silicone has been applied to all the below inside areas.

Let the silicone sealant cure for 24 hours.

